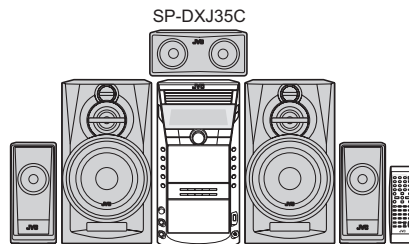


# JVC

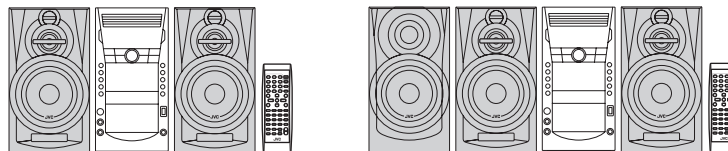
## SERVICE MANUAL

### COMPACT COMPONENT SYSTEM

## DX-J35EE, DX-J35UX,DX-J35UG, DX-J35UN, DX-J20EE, DX-J20UW,DX-J10EE



SP-DXJ35S SP-DXJ35F CA-DXJ35 SP-DXJ35C SP-DXJ35S



SP-DXJ10 CA-DXJ10 SP-DXJ10

SP-DXJ20W SP-DXJ20F CA-DXJ20 SP-DXJ20F



Lead free solder used in the board (material : Sn-Ag-Cu, melting point : 219 Centigrade)  
Lead free solder used in the board (material : Sn-Cu, melting point : 230 Centigrade)

### TABLE OF CONTENTS

1	PRECAUTION.....	1-6
2	SPECIFIC SERVICE INSTRUCTIONS.....	1-9
3	DISASSEMBLY.....	1-10
4	ADJUSTMENT.....	1-38
5	TROUBLESHOOTING.....	1-40

# SPECIFICATION

## DX-J35EE

Amplifier section	Output Power	FRONT SPEAKERS		100 W per channel min. RMS driven into 6 Ω at 1 kHz with no more than 10% total harmonic distortion.
		SURROUND SPEAKERS		50 W per channel min. RMS driven into 6 Ω at 1 kHz with no more than 10% total harmonic distortion.
		CENTER SPEAKER		50 W min. RMS driven into 6 Ω at 1 kHz with no more than 10% total harmonic distortion.
	Audio output			SUBWOOFER OUT
	Digital input			USB memory
	Audio input sensitivity/Impedance (Measured at 1 kHz with tape recording signal 300 mV)	AUX		400 mV/47 k Ω
		MIC1/2		3.0 mV/50 k Ω
		VIDEO OUT	Color system	NTSC/NTSC PROG/PAL/PAL PROG
		VIDEO (composite)		1 V(p-p)/75 Ω
		S-VIDEO	Y (luminance)	1 V(p-p)/75 Ω
			C(chrominance, burst): NTSC	0.286 V(p-p)/75 Ω
			C(chrominance, burst): PAL	0.3 V(p-p)/75 Ω
	COMPONENT (Interlace/Progressive)	(Y)	1 V(p-p)/75 Ω	
(PB/PR)		0.7 V(p-p)/75 Ω		
Speaker Terminals			6 Ω - 16 Ω (front speakers/subwoofers)	
Tuner section	FM tuning range		87.50 MHz - 108.00 MHz	
	AM (MW) tuning range		522 kHz - 1 629 kHz	
Disc/File player section	Playable disc		DVD Video/DVD Audio/CD/VCD/SVCD	
			CD-R/CD-RW (CD/VCD/SVCD/MP3/WMA/WAV/JPEG/MPEG-1/MPEG-2/ASF/DivX format)	
			DVD-R/-RW (DVD-VR/DVD-video/MP3/WMA/WAV/JPEG/MPEG-1/MPEG-2/ASF/DivX format)	
			+R/+RW (DVD-video/MP3/WMA/WAV/JPEG/MPEG-1/MPEG-2/ASF/DivX format)	
			DVD-ROM (DVD-video/MP3/WMA/WAV/JPEG/MPEG-1/MPEG-2/ASF/DivX format)	
	Playable file		MP3/WMA/WAV/JPEG/MPEG-1/MPEG-2/ASF/DivX format	
	Dynamic range		80 dB	
Horizontal resolution		500 lines		
Wow and flutter		Immeasurable		
USB storage section	USB specification		Compatible with USB 2.0 Full-Speed	
	Compatible device		Mass storage class	
	Compatible file system		FAT 16, FAT 32	
	Bus power supply		5 V/500 mA	
Cassette deck section	Frequency response	Normal (type I)	50 Hz - 14 000 Hz	
	Wow and flutter		0.15% (WRMS)	
General	Power requirement		AC 230 V , 50 Hz	
	Power consumption		205 W (at operation) / 21 W (on standby)	
	Dimensions (W/H/D) (approx.)		185 mm x 370 mm x 372 mm	
	Mass (approx.)		9.5 kg	

Design and specifications are subject to change without notice.

**DX-J35UX,UG,UN**

Amplifier section	Output Power	FRONT SPEAKERS		100 W per channel min. RMS driven into 6 Ω at 1 kHz with no more than 10% total harmonic distortion.
		SURROUND SPEAKERS		50 W per channel min. RMS driven into 6 Ω at 1 kHz with no more than 10% total harmonic distortion.
		CENTER SPEAKER		50 W min. RMS driven into 6 Ω at 1 kHz with no more than 10% total harmonic distortion.
	Audio output			SUBWOOFER OUT
	Digital input			USB memory
	Audio input sensitivity/Impedance (Measured at 1 kHz with tape recording signal 300 mV)	AUX		400 mV/47 k Ω
		MIC1/2		3.0 mV/50 k Ω
		VIDEO OUT	Color system	NTSC/NTSC PROG/PAL/PAL PROG
		VIDEO (composite)		1 V(p-p)/75 Ω
		S-VIDEO	Y (luminance)	1 V(p-p)/75 Ω
C(chrominance, burst): NTSC			0.286 V(p-p)/75 Ω	
C(chrominance, burst): PAL	0.3 V(p-p)/75 Ω			
COMPONENT (Interlace/Progressive)	(Y)	1 V(p-p)/75 Ω		
	(PB/PR)	0.7 V(p-p)/75 Ω		
Speaker Terminals			6 Ω - 16 Ω (front speakers/subwoofers)	
Tuner section	FM tuning range		87.50 MHz - 108.00 MHz	
	AM (MW) tuning range		531 kHz - 1 710 kHz (at 9 kHz)	
			530 kHz - 1 710 kHz (at 10 kHz)	
			(For Saudi Arabia) 531 kHz - 1 602 kHz (at 9 kHz) (For Saudi Arabia) 530 kHz - 1 600 kHz (at 10 kHz)	
Disc/File player section	Region codes	Middle East	2	
		South East Asia	3	
		Central and south America, Australia	4	
	Playable disc		DVD Video/DVD Audio/CD/VCD/SVCD	
			CD-R/CD-RW (CD/VCD/SVCD/MP3/WMA/WAV/JPEG/MPEG-1/MPEG-2/ASF/DivX format)	
			DVD-R/-RW (DVD-VR/DVD-video/MP3/WMA/WAV/JPEG/MPEG-1/MPEG-2/ASF/DivX format)	
			+R/+RW (DVD-video/MP3/WMA/WAV/JPEG/MPEG-1/MPEG-2/ASF/DivX format)	
			DVD-ROM (DVD-video/MP3/WMA/WAV/JPEG/MPEG-1/MPEG-2/ASF/DivX format)	
	Playable file		MP3/WMA/WAV/JPEG/MPEG-1/MPEG-2/ASF/DivX format	
	Dynamic range		80 dB	
Horizontal resolution		500 lines		
Wow and flutter		Immeasurable		
USB storage section	USB specification		Compatible with USB 2.0 Full-Speed	
	Compatible device		Mass storage class	
	Compatible file system		FAT 16, FAT 32	
	Bus power supply		5 V/500 mA	
Cassette deck section	Frequency response	Normal (type I)	50 Hz - 14 000 Hz	
	Wow and flutter		0.15% (WRMS)	
General	Power requirement		AC 110 V / AC 127 V / AC 220 V / AC 230 V - AC 240 V (adjustable with the voltage selector) 50 Hz / 60 Hz (For Australian model) AC 240 V , 50 Hz	
	Power consumption		205 W (at operation) / 21 W (on standby)	
	Dimensions (W/H/D) (approx.)		185 mm x 370 mm x 372 mm	
	Mass (approx.)		9.5 kg	

Design and specifications are subject to change without notice.

**DX-J20EE/DX-J10EE**

Amplifier section	Output Power	FRONT SPEAKERS		100 W per channel min. RMS driven into 6 Ω at 1 kHz with no more than 10% total harmonic distortion.
		SUBWOOFERS		100 W min. RMS driven into 6 Ω at 63 Hz with no more than 10% total harmonic distortion.
	Digital output	OPTICAL DIGITAL OUTPUT		-21 dBm to -15 dBm (660 nm ±30 nm)
	Digital input	USB MEMORY		
	Audio input sensitivity/Impedance (Measured at 1 kHz with tape recording signal 300 mV)	AUX		400 mV/47 k Ω
		MIC1/2		3.0 mV/50 k Ω
		VIDEO OUT	Color system	NTSC/PAL
		VIDEO (composite)		1 V(p-p)/75 Ω
		S-VIDEO	Y (luminance)	1 V(p-p)/75 Ω
	C(chrominance, burst): NTSC		0.286 V(p-p)/75 Ω	
C(chrominance, burst): PAL	0.3 V(p-p)/75 Ω			
Speaker Terminals			6 Ω - 16 Ω (front speakers/subwoofers)	
Tuner section	FM tuning range			87.50 MHz - 108.00 MHz
	AM (MW) tuning range			522 kHz - 1 629 kHz
Disc/File player section	Playable disc			DVD Video/CD/VCD/SVCD
				CD-R/CD-RW (MP3/WMA/WAV/JPEG/MPEG-1/MPEG-2/ASF/DivX format)
				DVD-R/-RW (DVD-VR/DVD-video/MP3/WMA/WAV/JPEG/MPEG-1/MPEG-2/ASF/DivX format)
				+R/+RW (DVD-video/MP3/WMA/WAV/JPEG/MPEG-1/MPEG-2/ASF/DivX format)
				DVD-ROM (DVD-video/MP3/WMA/WAV/JPEG/MPEG-1/MPEG-2/ASF/DivX format)
	Playable file	MP3/WMA/WAV/JPEG/MPEG-1/MPEG-2/ASF/DivX format		
	Dynamic range	80 dB		
Horizontal resolution	500 lines			
Wow and flutter	Immeasurable			
USB storage section	USB specification			Compatible with USB 2.0 Full Speed
	Compatible device			Mass storage class
	Compatible file system			FAT 16, FAT 32
	Bus power supply			5 V/500 mA
Cassette deck section	Frequency response	Normal (type I)	50 Hz - 14 000 Hz	
	Wow and flutter			0.15% (WRMS)
General	Power requirement			AC 230 V , 50 Hz
	Power consumption	CA-DXJ10		95 W (at operation) / 15 W (on standby)
		CA-DXJ20		140 W (at operation) / 16 W (on standby)
	Dimensions (W/H/D) (approx.)			185 mm x 370 mm x 372 mm
	Mass (approx.)	CA-DXJ10		8.9 kg
CA-DXJ20		9.3 kg		

Design and specifications are subject to change without notice.

**DX-J20UW**

Amplifier section	Output Power	FRONT SPEAKERS		100 W per channel min. RMS driven into 6 $\Omega$ at 1 kHz with no more than 10% total harmonic distortion.	
		SUBWOOFERS		100 W min. RMS driven into 6 $\Omega$ at 63 Hz with no more than 10% total harmonic distortion.	
	Digital output	OPTICAL DIGITAL OUTPUT		-21 dBm to -15 dBm (660 nm $\pm$ 30 nm)	
	Digital input			USB MEMORY	
	Audio input sensitivity/Impedance (Measured at 1 kHz with tape recording signal 300 mV)	AUX		400 mV/47 k $\Omega$	
		MIC1/2		3.0 mV/50 k $\Omega$	
		VIDEO OUT	Color system	NTSC/PAL	
		VIDEO (composite)		1 V(p-p)/75 $\Omega$	
		S-VIDEO	Y (luminance)		1 V(p-p)/75 $\Omega$
	C(chrominance, burst): NTSC			0.286 V(p-p)/75 $\Omega$	
C(chrominance, burst): PAL			0.3 V(p-p)/75 $\Omega$		
Speaker Terminals				6 $\Omega$ - 16 $\Omega$ (front speakers/subwoofers)	
Tuner section	FM tuning range		87.50 MHz - 108.00 MHz		
	AM (MW) tuning range		531 kHz - 1 710 kHz (at 9 kHz)		
			530 kHz - 1 710 kHz (at 10 kHz)		
			(For Saudi Arabia) 531 kHz - 1 602 kHz (at 9 kHz)		
		(For Saudi Arabia) 530 kHz - 1 600 kHz (at 10 kHz)			
Disc/File player section	Region codes	Middle East	2		
		South East Asia	3		
		Central and South America, Australia	4		
	Playable disc			DVD Video/CD/VCD/SVCD	
				CD-R/CD-RW (MP3/WMA/WAV/JPEG/MPEG-1/MPEG-2/ASF/DivX format)	
				DVD-R/-RW (DVD-VR/DVD-video/MP3/WMA/WAV/JPEG/MPEG-1/MPEG-2/ASF/DivX format)	
				+R/+RW (DVD-video/MP3/WMA/WAV/JPEG/MPEG-1/MPEG-2/ASF/DivX format)	
				DVD-ROM (DVD-video/MP3/WMA/WAV/JPEG/MPEG-1/MPEG-2/ASF/DivX format)	
	Playable file			MP3/WMA/WAV/JPEG/MPEG-1/MPEG-2/ASF/DivX format	
	Dynamic range			80 dB	
Horizontal resolution			500 lines		
Wow and flutter			Immeasurable		
USB storage section	USB specification		Compatible with USB 2.0 Full Speed		
	Compatible device		Mass storage class		
	Compatible file system		FAT 16, FAT 32		
	Bus power supply		5 V/500 mA		
Cassette deck section	Frequency response	Normal (type I)	50 Hz - 14 000 Hz		
	Wow and flutter			0.15% (WRMS)	
General	Power requirement		AC 110 V / AC 127 V / AC 220 V / AC 230 V - AC 240 V (adjustable with the voltage selector) 50 Hz / 60 Hz (For Australia) AC 240 V , 50 Hz		
	Power consumption		140 W (at operation) / 16 W (on standby)		
	Dimensions (W/H/D) (approx.)		185 mm x 370 mm x 372 mm		
	Mass (approx.)		9.3 kg		

Design and specifications are subject to change without notice.

# SECTION 1 PRECAUTION

## 1.1 Safety Precautions

- (1) This design of this product contains special hardware and many circuits and components specially for safety purposes. For continued protection, no changes should be made to the original design unless authorized in writing by the manufacturer. Replacement parts must be identical to those used in the original circuits. Services should be performed by qualified personnel only.
- (2) Alterations of the design or circuitry of the product should not be made. Any design alterations of the product should not be made. Any design alterations or additions will void the manufacturer's warranty and will further relieve the manufacturer of responsibility for personal injury or property damage resulting therefrom.
- (3) Many electrical and mechanical parts in the products have special safety-related characteristics. These characteristics are often not evident from visual inspection nor can the protection afforded by them necessarily be obtained by using replacement components rated for higher voltage, wattage, etc. Replacement parts which have these special safety characteristics are identified in the Parts List of Service Manual. Electrical components having such features are identified by shading on the schematics and by ( $\Delta$ ) on the Parts List in the Service Manual. The use of a substitute replacement which does not have the same safety characteristics as the recommended replacement parts shown in the Parts List of Service Manual may create shock, fire, or other hazards.
- (4) The leads in the products are routed and dressed with ties, clamps, tubings, barriers and the like to be separated from live parts, high temperature parts, moving parts and/or sharp edges for the prevention of electric shock and fire hazard. When service is required, the original lead routing and dress should be observed, and it should be confirmed that they have been returned to normal, after reassembling.

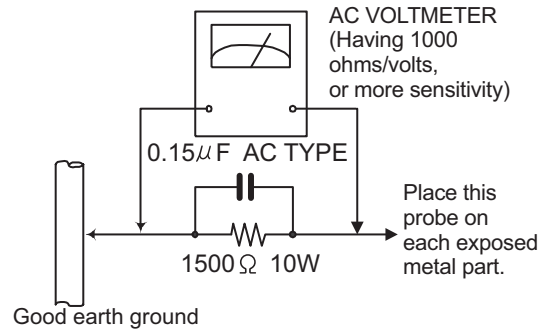
### (5) Leakage shock hazard testing

After reassembling the product, always perform an isolation check on the exposed metal parts of the product (antenna terminals, knobs, metal cabinet, screw heads, headphone jack, control shafts, etc.) to be sure the product is safe to operate without danger of electrical shock. Do not use a line isolation transformer during this check.

- Plug the AC line cord directly into the AC outlet. Using a "Leakage Current Tester", measure the leakage current from each exposed metal part of the cabinet, particularly any exposed metal part having a return path to the chassis, to a known good earth ground. Any leakage current must not exceed 0.5mA AC (r.m.s.).
- Alternate check method  
Plug the AC line cord directly into the AC outlet. Use an AC voltmeter having, 1,000 $\Omega$  per volt or more sensitivity in the following manner. Connect a 1,500 $\Omega$  10W resistor paralleled by a 0.15 $\mu$ F AC-type capacitor between an exposed metal part and a known good earth ground. Measure the AC voltage across the resistor with the AC

voltmeter.

Move the resistor connection to each exposed metal part, particularly any exposed metal part having a return path to the chassis, and measure the AC voltage across the resistor. Now, reverse the plug in the AC outlet and repeat each measurement. Voltage measured any must not exceed 0.75 V AC (r.m.s.). This corresponds to 0.5 mA AC (r.m.s.).



## 1.2 Warning

- (1) This equipment has been designed and manufactured to meet international safety standards.
- (2) It is the legal responsibility of the repairer to ensure that these safety standards are maintained.
- (3) Repairs must be made in accordance with the relevant safety standards.
- (4) It is essential that safety critical components are replaced by approved parts.
- (5) If mains voltage selector is provided, check setting for local voltage.

## 1.3 Caution

**Burrs formed during molding may be left over on some parts of the chassis.**

**Therefore, pay attention to such burrs in the case of pre-forming repair of this system.**

## 1.4 Critical parts for safety

In regard with component parts appearing on the silk-screen printed side (parts side) of the PWB diagrams, the parts that are printed over with black such as the resistor (■), diode (■) and ICP (●) or identified by the " $\Delta$ " mark nearby are critical for safety. When replacing them, be sure to use the parts of the same type and rating as specified by the manufacturer.  
(This regulation does not Except the J and C version)

## 1.5 Preventing static electricity

Electrostatic discharge (ESD), which occurs when static electricity stored in the body, fabric, etc. is discharged, can destroy the laser diode in the traverse unit (optical pickup). Take care to prevent this when performing repairs.

### 1.5.1 Grounding to prevent damage by static electricity

Static electricity in the work area can destroy the optical pickup (laser diode) in devices such as laser products.

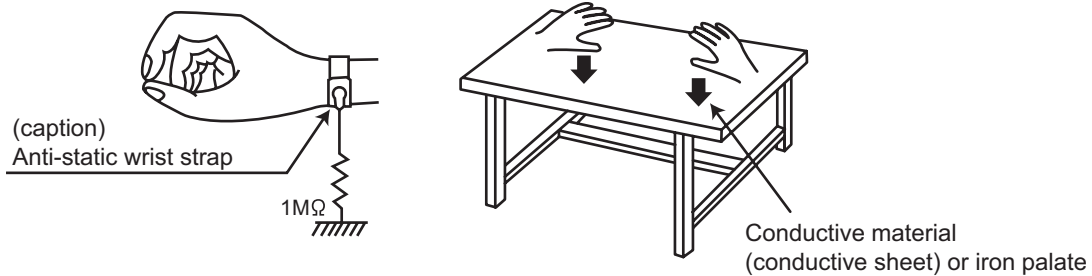
Be careful to use proper grounding in the area where repairs are being performed.

(1) Ground the workbench

Ground the workbench by laying conductive material (such as a conductive sheet) or an iron plate over it before placing the traverse unit (optical pickup) on it.

(2) Ground yourself

Use an anti-static wrist strap to release any static electricity built up in your body.



(3) Handling the optical pickup

- In order to maintain quality during transport and before installation, both sides of the laser diode on the replacement optical pickup are shorted. After replacement, return the shorted parts to their original condition. (Refer to the text.)
- Do not use a tester to check the condition of the laser diode in the optical pickup. The tester's internal power source can easily destroy the laser diode.

## 1.6 Handling the traverse unit (optical pickup)

(1) Do not subject the traverse unit (optical pickup) to strong shocks, as it is a sensitive, complex unit.

(2) Cut off the shorted part of the flexible cable using nippers, etc. after replacing the optical pickup. For specific details, refer to the replacement procedure in the text. Remove the anti-static pin when replacing the traverse unit. Be careful not to take too long a time when attaching it to the connector.

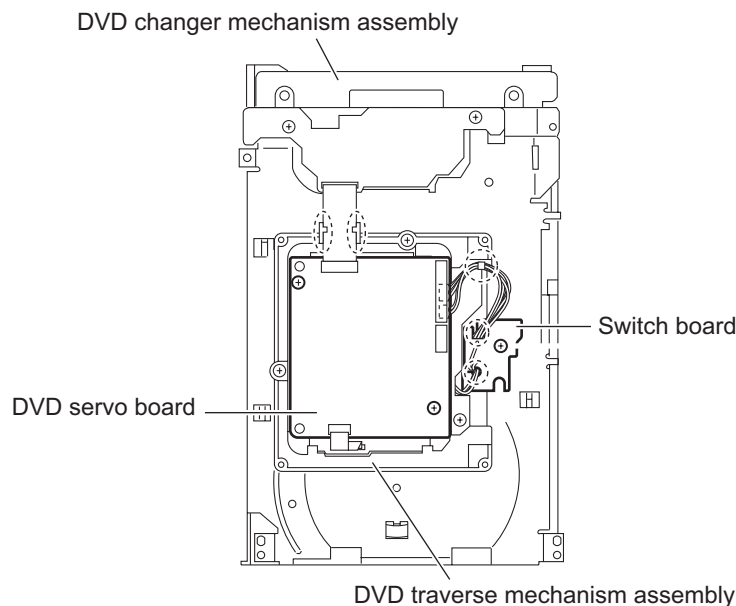
(3) Handle the flexible cable carefully as it may break when subjected to strong force.

(4) It is not possible to adjust the semi-fixed resistor that adjusts the laser power. Do not turn it.

## 1.7 Attention when traverse unit is decomposed

**\*Please refer to "Disassembly method" in the text for the pickup unit.**

- Apply solder to the short land sections before the card wire is disconnected from the connector on the servo board. (If the card wire is disconnected without applying solder, the pickup may be destroyed by static electricity.)
- In the assembly, be sure to remove solder from the short land sections after connecting the card wire.



## 1.8 Important for laser products

### 1.CLASS 1 LASER PRODUCT

#### 2.CAUTION :

(For U.S.A.) Visible and/or invisible class II laser radiation when open. Do not stare into beam.

(Others) Visible and/or invisible class 1M laser radiation when open. Do not view directly with optical instruments.

**3.CAUTION :** Visible and/or invisible laser radiation when open and inter lock failed or defeated. Avoid direct exposure to beam.

**4.CAUTION :** This laser product uses visible and/or invisible laser radiation and is equipped with safety switches which prevent emission of radiation when the drawer is open and the safety interlocks have failed or are defeated. It is dangerous to defeat the safety switches.

(For U.S.A.)

**CAUTION :** Visible and/or invisible class II laser radiation when open. Do not stare into beam.

(Others)

**CAUTION :** Visible and/or invisible class 1M laser radiation when open. Do not view directly with optical instruments

**ACHTUNG:** Sichtbare und/oder unsichtbare Laserstrahlung der Klasse 1M bei offenen Abdeckungen. Nicht direkt mit optischen Instrumenten betrachten.

**ATTENTION:** Rayonnement laser visible et/ou invisible de classe 1M une fois ouvert. Ne pas regarder directement avec des instruments optiques.

**VOORZICHTIG:** Zichtbare en/of onzichtbare klasse 1M laserstralen indien geopend. Bekijk niet direct met optische instrumenten.

**ATTENZIONE:** Radiazione laser in classe 1M visibile e/o invisibile quando aperto. Non osservare direttamente con strumenti ottici.

**WARNING:** Synlig och/eller osynlig laserstrålning, klass 1M, när denna del är öppnad. Betrakta ej strålen med optiska instrument.

**VARO!** Avattaessa olet alttiina nakyyvalle ja/tai näkymättömälle luokan 1M lasersäteilylle. Älä tarkastele sitä optisen laitteen läpi.

**ADVASEL:** Synlig og/eller usynlig klasse 1M-laserstrålning ved åbning. Se ikke direkte med optiske instrumenter.

**AVISO:** Radiación láser de clase 1M visible y/o invisible cuando está abierto. No mirar directamente con instrumental óptico.

**PRECAUÇÃO:** Radiação laser de classe 1M visível e/ou invisível quando aberto. Não olhe diretamente com instrumentos ópticos.

**5.CAUTION :** If safety switches malfunction, the laser is able to function.

**6.CAUTION :** Use of controls, adjustments or performance of procedures other than those specified here in may result in hazardous radiation exposure.



**CAUTION Please use enough caution not to see the beam directly or touch it in case of an adjustment or operation check.**

**PRECAUÇÃO:** Radiação laser de classe 1M visível e/ou invisível quando aberto. Não olhe diretamente com instrumentos ópticos.

**ПРЕДУПРЕЖДЕНИЕ:** В открытом состоянии происходит видимое и/или невидимое излучение лазера класса 1M. Не смотрите непосредственно в оптические инструменты.

**UWAGA:** Otwarcie spowoduje narażenie na widzialne i/lub niewidzialne promieniowanie lasera klasy 1M. Nie patrzeć bezpośrednio w przyrządy optyczne.

**UPOZORNĚNÍ:** Při otevření vydává viditelné popř. neviditelné laserové ozáření třídy 1M. Nedívejte se do otvoru přímo s optickými nástroji.

**FIGYELMEZTETÉS:** Látható és/vagy láthatatlan 1M osztályú sugárzás nyitott állapotban. Ne nézze közvetlenül optikai műszerekkel.

**注意:** 打開蓋板可能會產生可見或不可見的 1M 級鐳射。不要使用光學儀器直接進行窺視。

**注意:** 打开蓋板可能会产生可见或不可见的 1M 级辐射。不要使用光学仪器直接进行窥视。

**تنبيه:** يوجد إشعاع ليزري مرئي و/أو غير مرئي من الفئة 1M عندما يكون الجهاز مفتوحاً. تجنب النظر مباشرة داخل الجهاز باستخدام أدوات بصرية.

**احتياطات:** هنگامی که باز گردد، تشعشع مرئی و یا نامرئی کلاس 1M لیزر وجود دارد. با لوازم چشمی مستقیماً به آن نگاه نکنید.

**주의:** 개방하면 가시 및/또는 비가시 클래스 1M 레이저 방사선이 나옵니다. 광학 기구로 직접 들여다보지 마십시오.

## REPRODUCTION AND POSITION OF LABELS and PRINT WARNING LABEL and PRINT



<b>CAUTION</b> VISIBLE AND/OR INVISIBLE CLASS 1M LASER RADIATION WHEN OPEN. DO NOT VIEW DIRECTLY WITH OPTICAL INSTRUMENTS. IEC60825-1:2001 (ENG)	<b>ATTENTION</b> RAYONNEMENT LASER VISIBLE ET/OU INVISIBLE DE CLASSE 1M UNE FOIS OUVERT. NE PAS REGARDER DIRECTEMENT AVEC DES INSTRUMENTS OPTIQUES. (FRA)	<b>AVISO</b> RADIACIÓN LASER DE CLASE 1M VISIBLE Y/O INVISIBLE CUANDO ESTÁ ABIERTO. NO MIRAR DIRECTAMENTE CON INSTRUMENTAL ÓPTICO. (ESP)	<b>WARNING</b> SYNLIG OCH/ELLER OSYNLIG LASERSTRÅLNING, KLASS 1M, NÄR DENNA DEL ÄR ÖPPNAD. BETRAKTA EJ STRÅLEN MED OPTISKA INSTRUMENT. (SWE)	<b>注意</b> ニニモ顯くと不可視 及び/または不可視 のクラス1M レーザー放射が 出ます。 光学儀器で直接 見ないでください。 (JPN)	<b>CAUTION</b> VISIBLE AND/OR INVISIBLE CLASS II LASER RADIATION WHEN OPEN. DO NOT STARE INTO BEAM. FDA 21 CFR (ENG) LV44603-003A
--	--	---	---	---	---



**SECTION 2**  
**SPECIFIC SERVICE INSTRUCTIONS**

This service manual does not describe SPECIFIC SERVICE INSTRUCTIONS.

## SECTION 3 DISASSEMBLY

### 3.1 Main body

#### 3.1.1 Removing the METAL COVER (See Fig.1, 2)

- (1) Remove the two screws **A** attaching the REAR COVER. (See Fig.1)
- (2) Remove the seven screws **B** attaching the METAL COVER. (See Fig.1)
- (3) Remove the four screws **C** attaching the both side of METAL COVER. (See Fig.2)

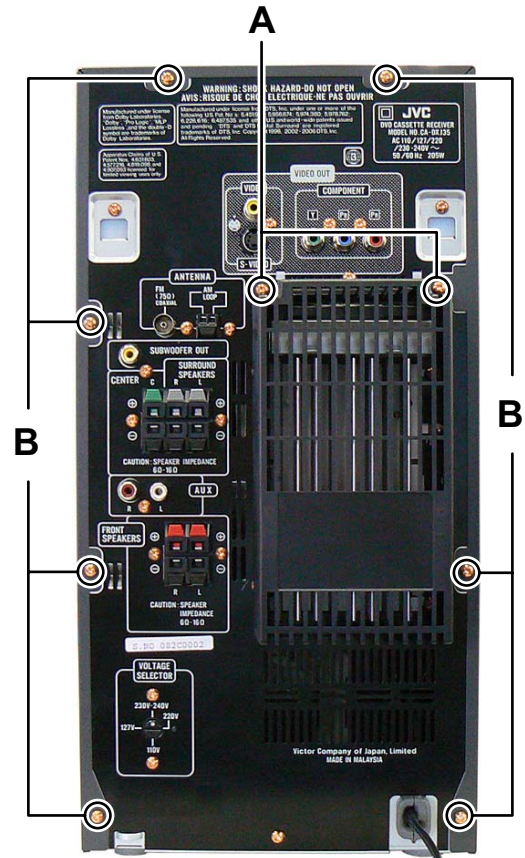


Fig.1



Fig.2

### 3.1.2 Removing the DVD MECHANISM assembly (See Fig.3 to 5)

- (1) Disconnect the card wires from MICON BOARD assembly connected to connector [CN701](#) and [CN801](#) of the DVD BOARD assembly. (See Fig.3)
- (2) Disconnect the card wire from AMP BOARD assembly connected to connector [CN702](#) of the DVD BOARD assembly. (See Fig.3)
- (3) Disconnect the card wire from SURROUND BOARD assembly connected to connector [CN703](#) of the DVD BOARD assembly. (See Fig.3)
- (4) Remove the two screws **D** attaching the DVD MECHANISM assembly. (See Fig.4)
- (5) Disconnect the connector wire from USB BOARD assembly connected to connector [CN811](#) of the DVD BOARD assembly. (See Fig.5)

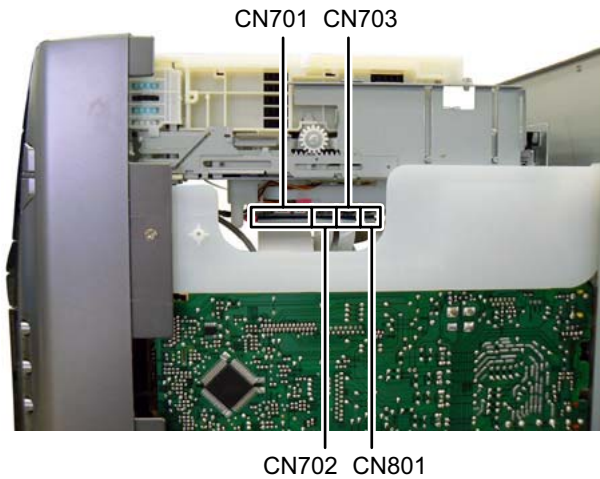


Fig.3



Fig.4

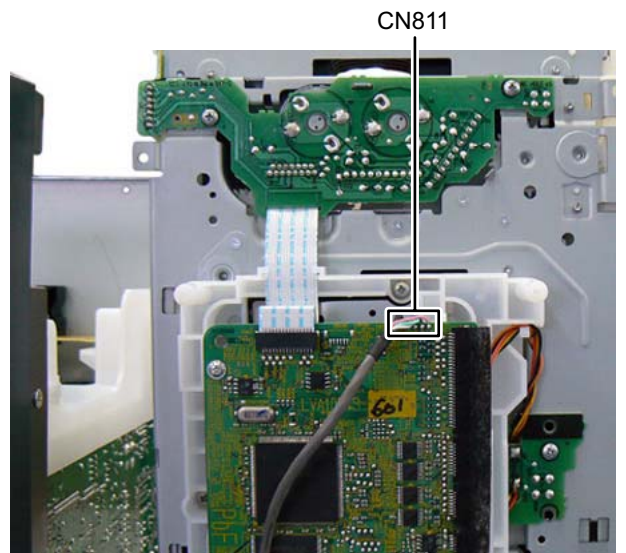


Fig.5

### 3.1.3 Removing the VIDEO BOARD assembly (See Fig.6, 7)

- (1) Disconnect the card wire from MICON BOARD assembly connected to connector **CN931** of the VIDEO BOARD assembly. (See Fig.6)
- (2) Remove the three screws **E** attaching the VIDEO BOARD assembly. (See Fig.7)

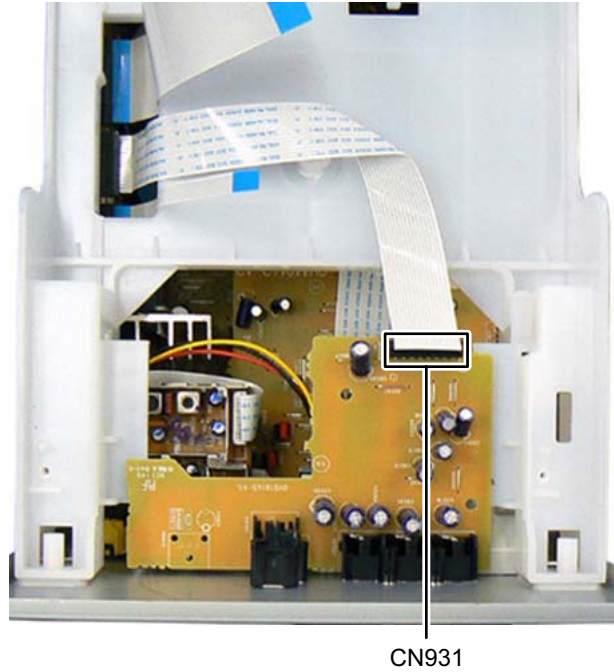


Fig.6

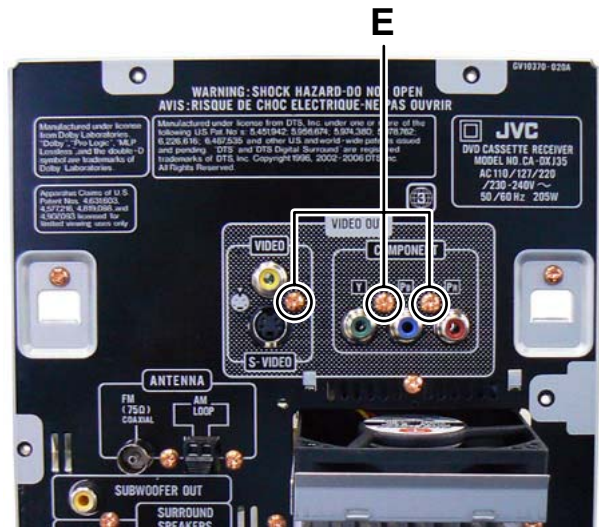


Fig.7

### 3.1.4 Removing the MECHA CHASSIS (See Fig.8, 9)

- (1) Remove the two screws **F** attaching the MECHA CHASSIS. (See Fig.8)
- (2) Remove the two screws **G** attaching the both side of MECHA CHASSIS. (See Fig.9)

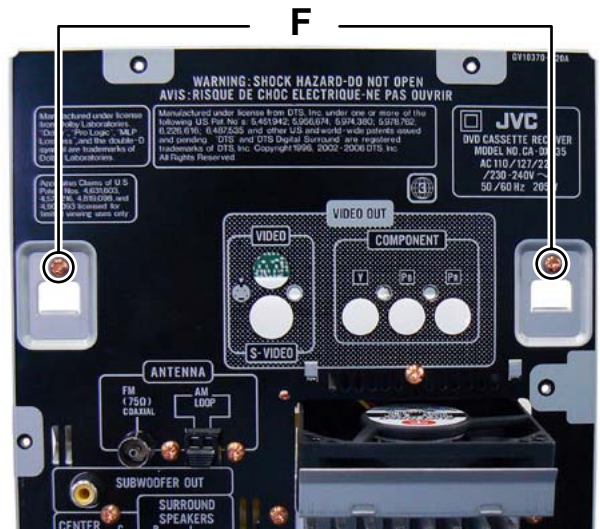


Fig.8

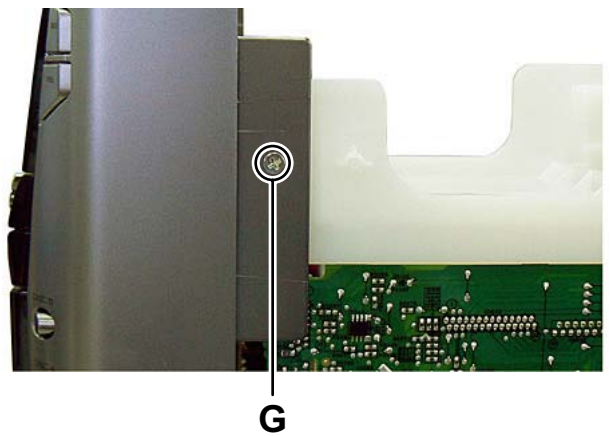


Fig.9

### 3.1.5 Removing the FAN (See Fig 10, 11)

- (1) Disconnect the connector wire from FAN connected to connector **CN630** of the MICON BOARD assembly. (See Fig.10)
- (2) Remove the one screw **H** attaching the FAN. (See Fig.11)

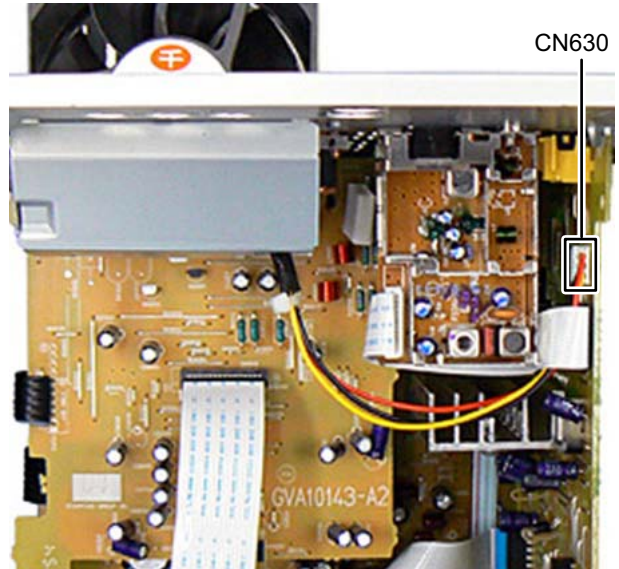


Fig.10

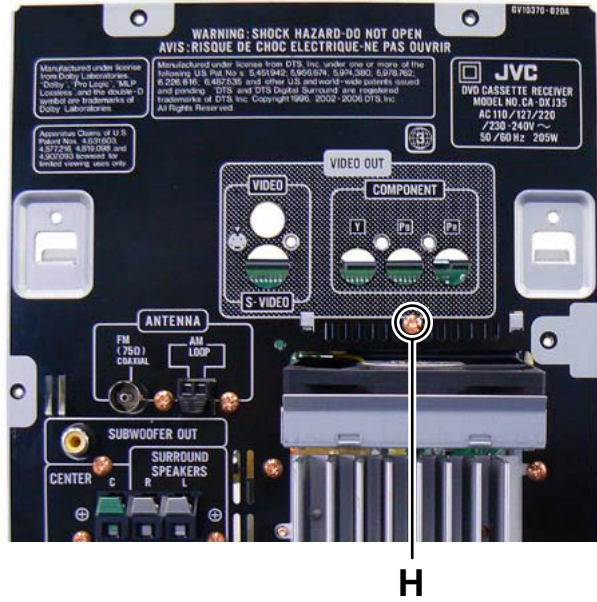


Fig.11

### 3.1.6 Removing the TUNER PACK (See Fig.12, 13)

- (1) Disconnect the card wire from TUNER PACK connected to connector **CN507** of the MICON BOARD assembly. (See Fig.12)
- (2) Remove the two screws **J** attaching the TUNER PACK. (See Fig.13)

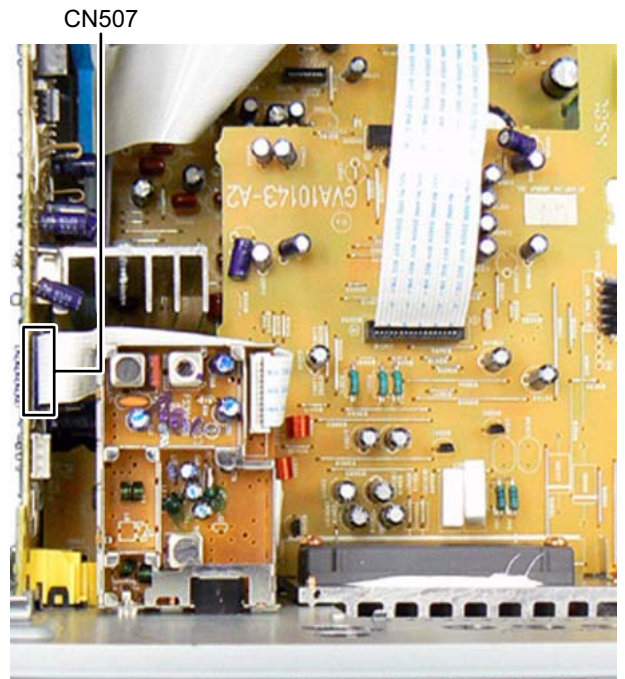


Fig.12

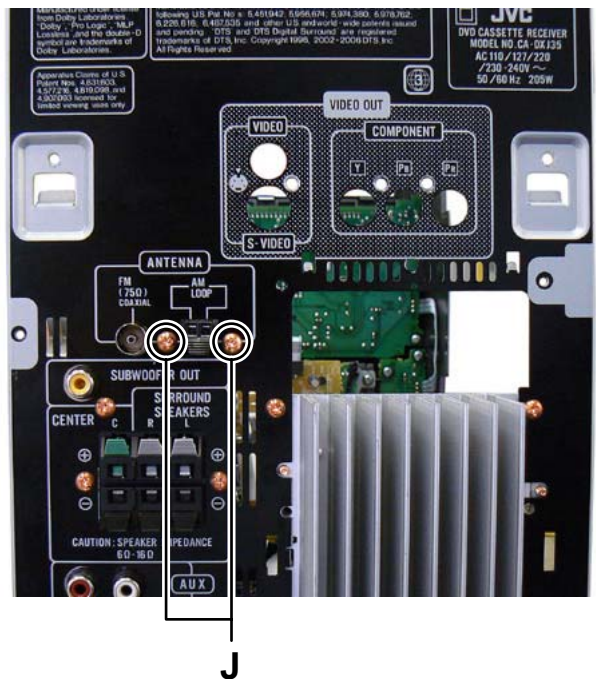


Fig.13

### 3.1.7 Removing the REAR PANEL (See Fig.14)

- (1) Remove the four screws **K** attaching the HEAT SINK.
- (2) Remove the nine screws **L** attaching the REAR PANEL.

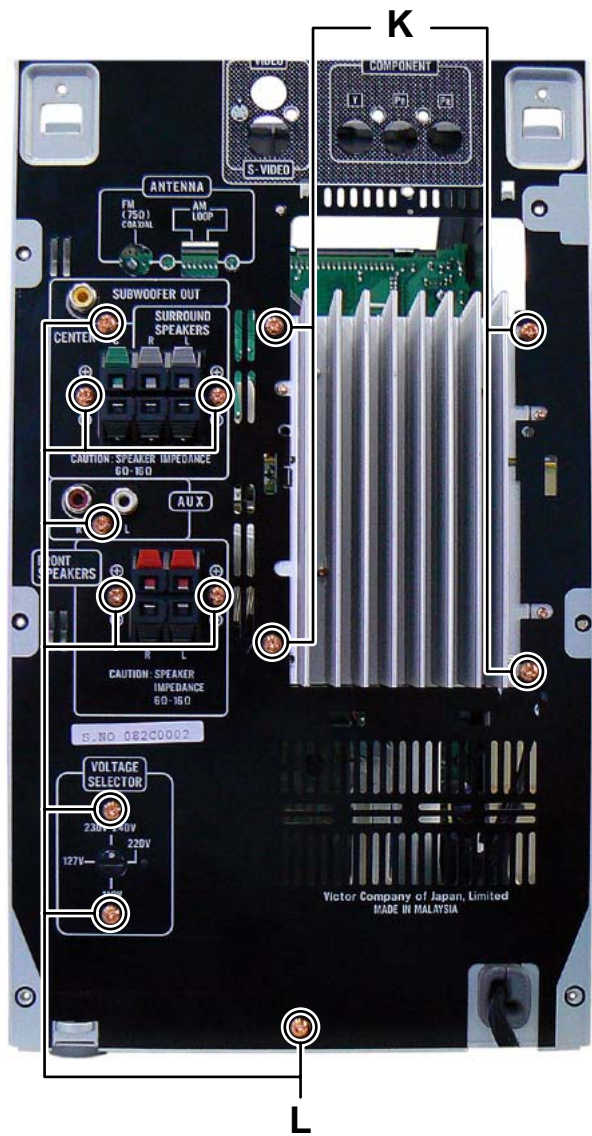


Fig.14



### 3.1.8 Removing the AMP and SURROUND BOARD assembly (See Fig.15, 16)

- (1) Disconnect the card wires from MICON BOARD assembly connected to connector [CN705](#) and [CN706](#) of the AMP BOARD assembly. (See Fig.15)
- (2) Disconnect the card wire from HEADPHONE BOARD assembly connected to connector [CN760](#) of the MICON BOARD assembly. (See Fig.15)
- (3) Disconnect the card wire from MIC BOARD assembly connected to connector [CN750](#) of the AMP BOARD assembly. (See Fig.16)
- (4) Disconnect the card wire from MICON BOARD connected to connector [CN700](#), [CN701](#) and [CN702](#) of the AMP BOARD assembly. (See Fig.16)
- (5) Disconnect the EARTH WIRE from BOTTOM CHASSIS connected post pin [PP702](#) of the AMP BOARD assembly. (See Fig.16)
- (6) Remove the one screw **M** attaching the AMP BOARD assembly. (See Fig.15)

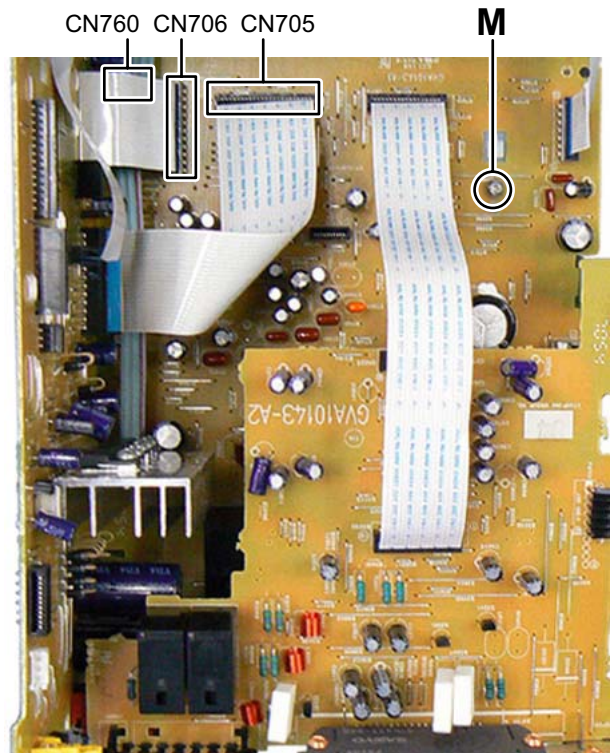


Fig.15

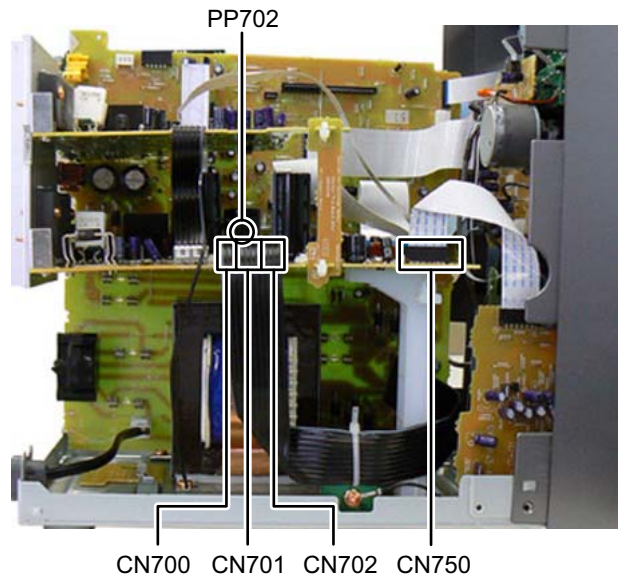


Fig.16

### 3.1.9 Removing the MICON BOARD assembly (See Fig.17)

- (1) Disconnect the power cord from connector [CN410](#) of the MICON BOARD assembly.
- (2) Disconnect the card wire from FL BOARD assembly connected to connector [CN500](#) of the MICON BOARD assembly.
- (3) Disconnect the card wire from CASSETTE MECHANISM BOARD assembly connected to connector [CN501](#) of the MICON BOARD assembly.
- (4) Disconnect the card wire from PLAY BOARD assembly connected to connector [CN430](#) of the MICON BOARD assembly.
- (5) Remove the POWER TRANSFORMER.

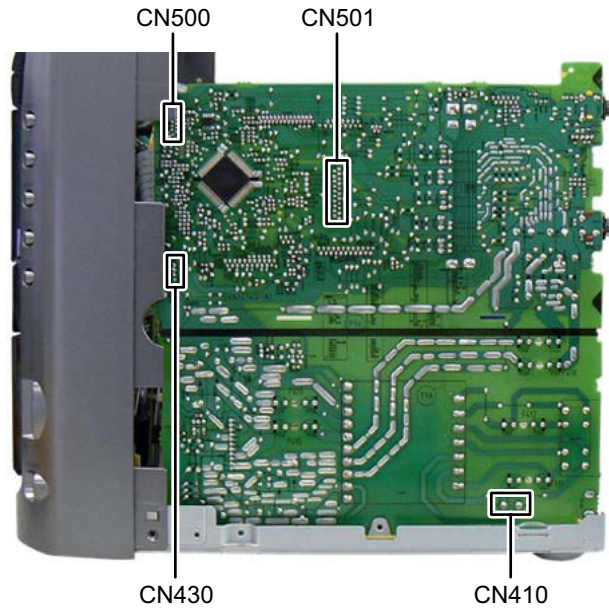


Fig.17

### 3.1.10 Removing the FRONT PANEL assembly (See Fig.18, 19)

- (1) Remove the one screw **N** attaching the EARTH WIRE from USB BOARD assembly. (See Fig.18)
- (2) Remove the one screw **P** attaching the EARTH WIRE from MIC BOARD assembly. (See Fig.19)
- (3) Disengage two hooks **b** engaged both side of FRONT PANEL assembly. (See Fig.19)

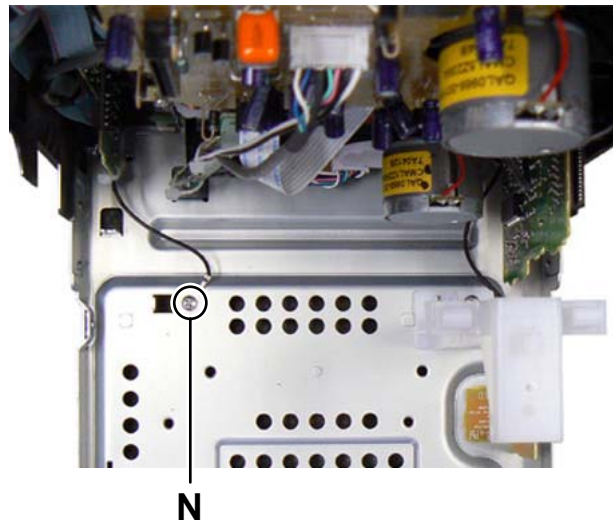


Fig.18

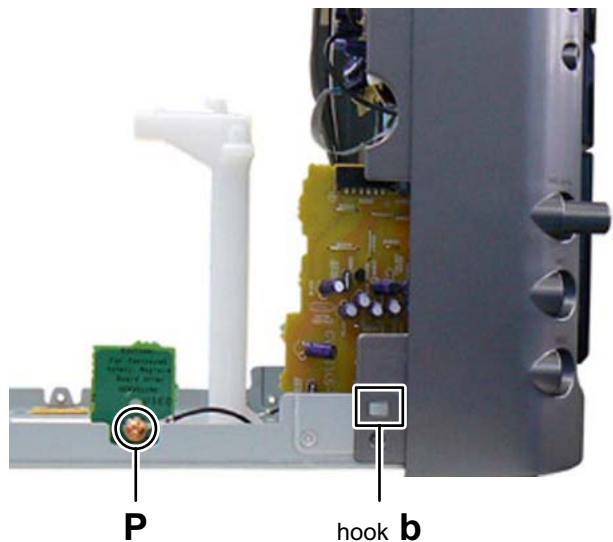


Fig.19

### 3.1.11 Removing the SURROUND BOARD assembly (See Fig.20 to 22)

- (1) Disconnect the card wire from SURROUND BOARD assembly connected to connector **CN711** and **CN712** of the AMP BOARD assembly. (See Fig.20)
- (2) Disconnect the card wire from AMP BOARD assembly connected to connector **CN310** of the SURROUND BOARD assembly. (See Fig.21)
- (3) Remove the one screw **Q** attaching the EARTH BRACKET. (See Fig.22)
- (4) Remove the two screws **R** attaching the POWER IC. (See Fig.22)

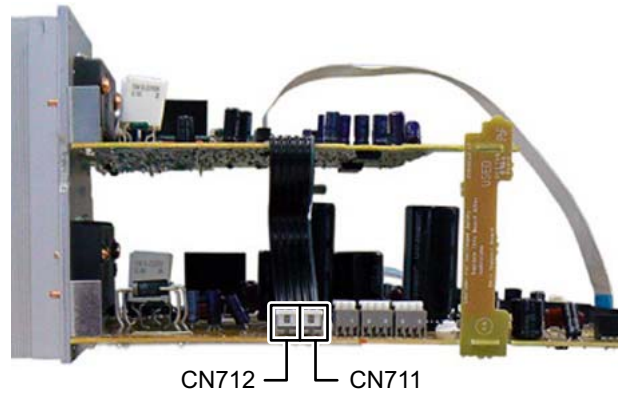


Fig.20

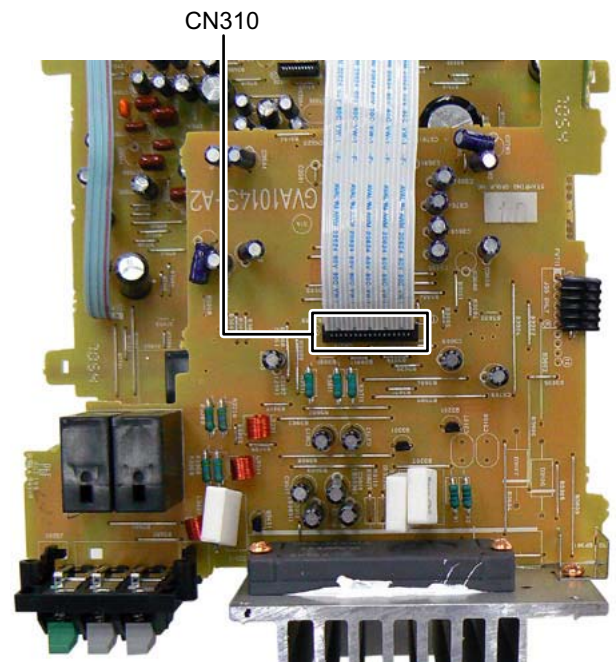


Fig.21

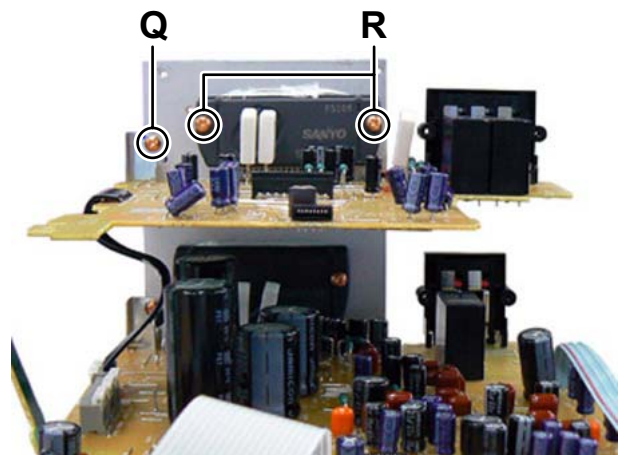


Fig.22

### 3.1.12 Removing the B CASSETTE MECHANISM assembly (See Fig.23, 24)

- (1) Disconnect the connector wire from B CASSETTE MECHANISM assembly connected to connector [CN200](#) of the A CASSETTE MECHANISM BOARD assembly. (See Fig.23)
- (2) Disconnect the card wire from B CASSETTE MECHANISM connected to connector [CN120](#) of the A CASSETTE MECHANISM BOARD assembly. (See Fig.23)
- (3) Remove the two screws **S** attaching the bracket board. (See Fig.23)
- (4) Remove the four screws **T** attaching the B CASSETTE MECHANISM assembly. (See Fig.24)

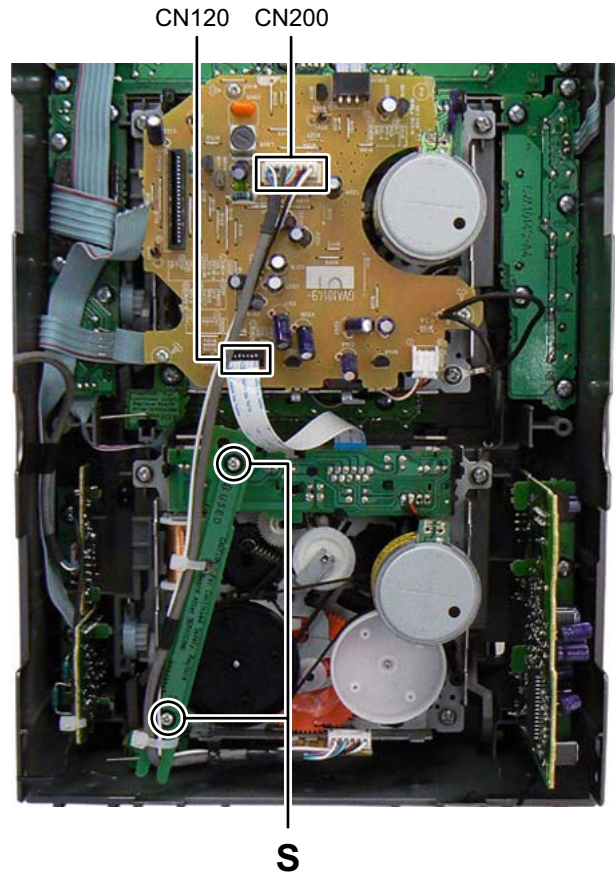


Fig.23

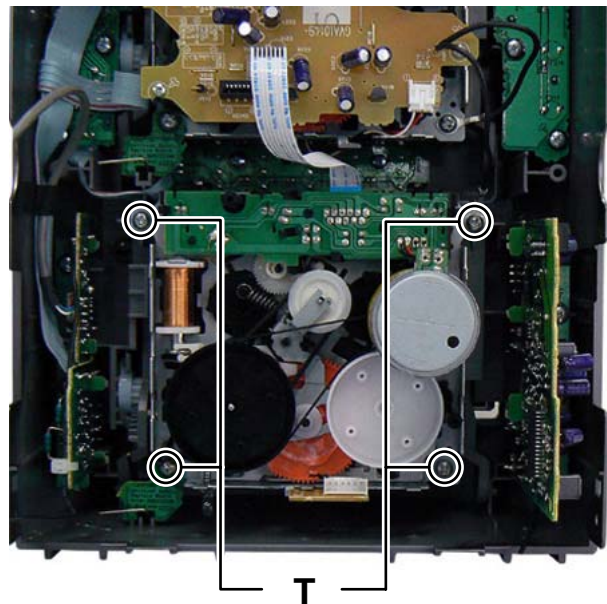


Fig.24

**3.1.13 Removing the A CASSETTE MECHANISM assembly (See Fig.25)**

- (1) Remove the four screws **U** attaching the A CASSETTE MECHANISM assembly.

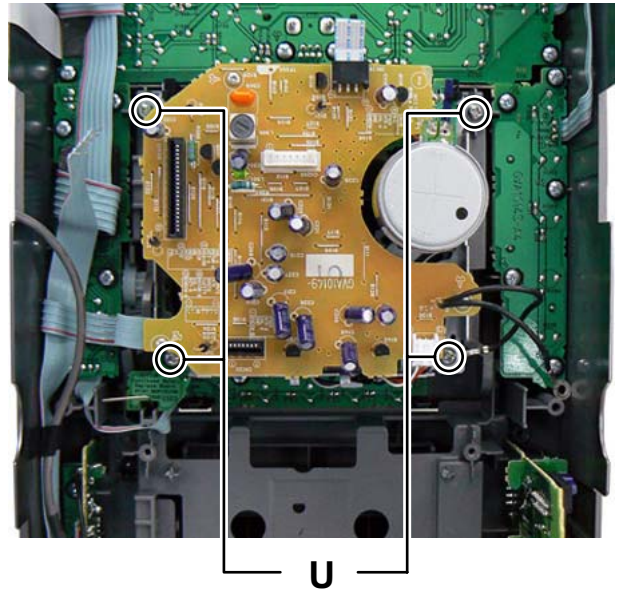


Fig.25

**3.1.14 Removing the MIC BOARD assembly (See Fig.26)**

- (1) Remove the volume knob.
- (2) Remove the two screws **V** attaching the MIC BOARD assembly.

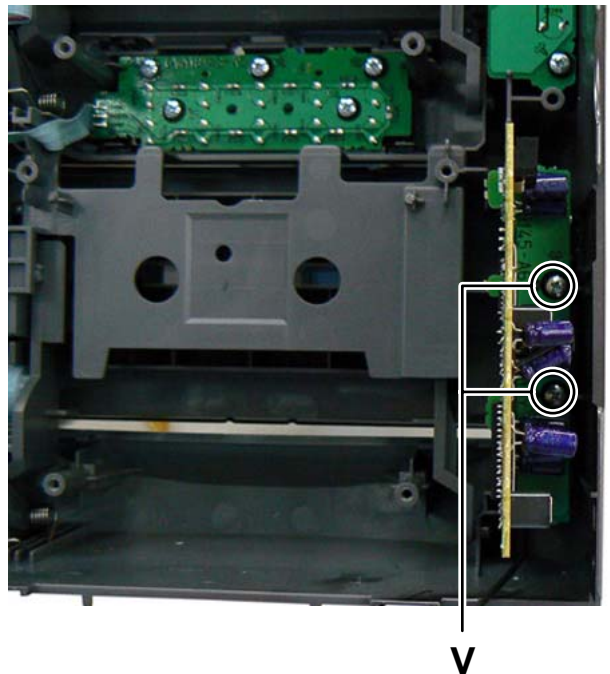
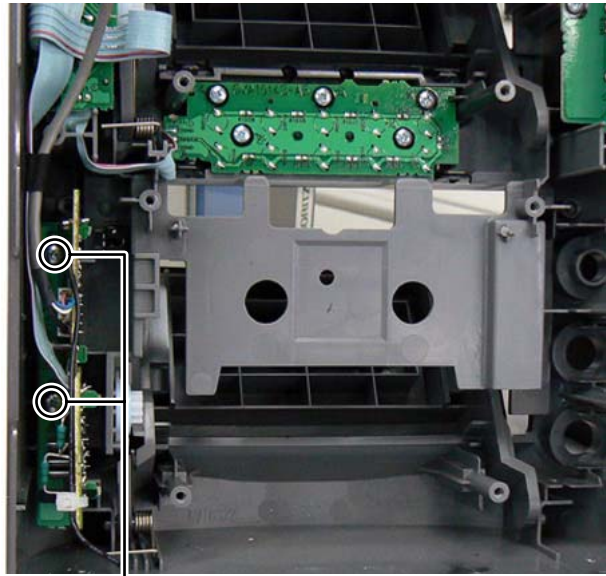


Fig.26

### 3.1.15 Removing the USB BOARD assembly (See Fig.27)

- (1) Remove the two screws **W** attaching the USB BOARD assembly.



**W**

Fig.27

### 3.1.16 Removing the FRONT BOARD assembly (See Fig.28)

- (1) Remove the five screws **X** attaching the FUNCTION BOARD assembly.
- (2) Remove the five screws **Y** attaching the EJECT BOARD assembly.
- (3) Remove the five screws **Z** attaching the PLAY BOARD assembly.
- (4) Remove the seven screws **AA** attaching the FL BOARD assembly.

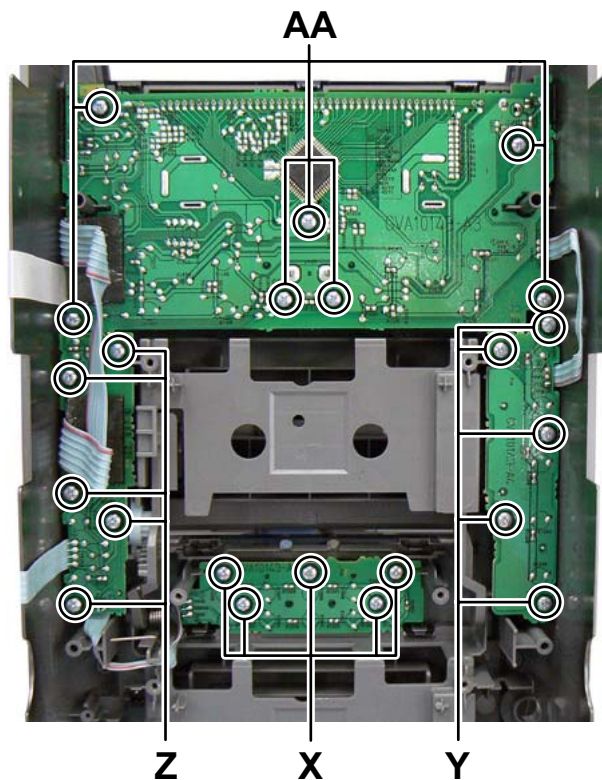


Fig.28

### 3.2 DVD changer mechanism assembly section

Remove the DVD changer mechanism assembly from the main body. (See "Removing the DVD changer mechanism assembly".)

#### 3.2.1 Removing the tray assemblies

(See Figs.1 to 5)

- (1) From the top side of the main body, remove the two screws **A** from the top cover and release the two joints **a** on the both sides of the DVD changer mechanism assembly. (See Figs.1 and 2.)
- (2) Remove the two rods from the top cover and remove the top cover from the lifter assembly. (See Figs.1 and 2.)
- (3) Remove the open det. lever on the left side of the DVD changer mechanism assembly. (See Fig.3.)
- (4) From the right side of the DVD changer mechanism assembly, draw out the tray assemblies toward the front while pushing the part **b** of the side (R) assembly. (See Figs.4 and 5.)

**Note:**

The tray can be locked if all tray assemblies are attached.

- (5) From the topside of the DVD changer mechanism assembly, move the stopper tabs **c** in the direction of the arrow and release them. Pull out the tray assemblies from the DVD changer mechanism assembly. (See Fig. 5.)

**Note:**

Remove the tray assembly from top tray 5 in order.

**Reference:**

When reattaching the tray assembly, or when removing the disc remaining inside, refer to another section "3.3.15 Taking out the disc in the play mode".

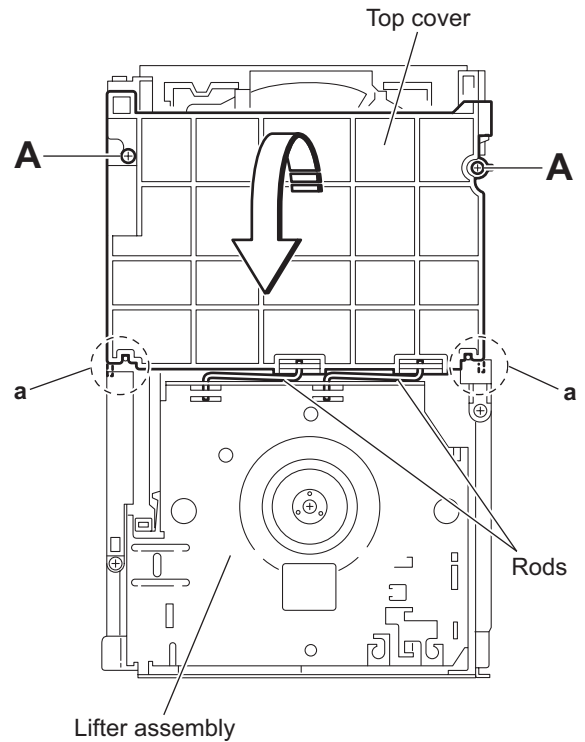


Fig.1

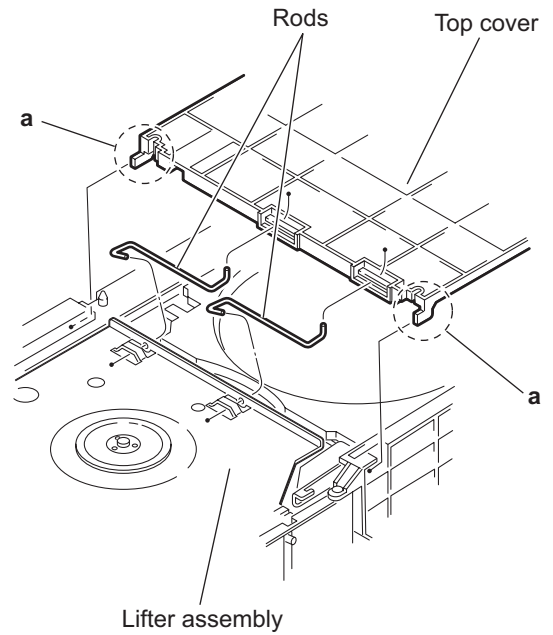


Fig.2

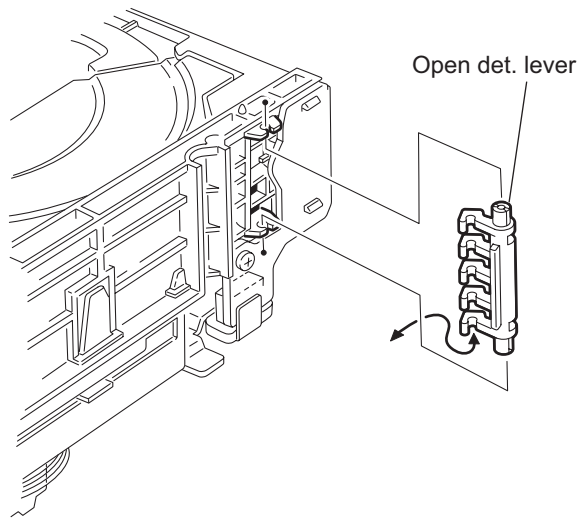


Fig.3

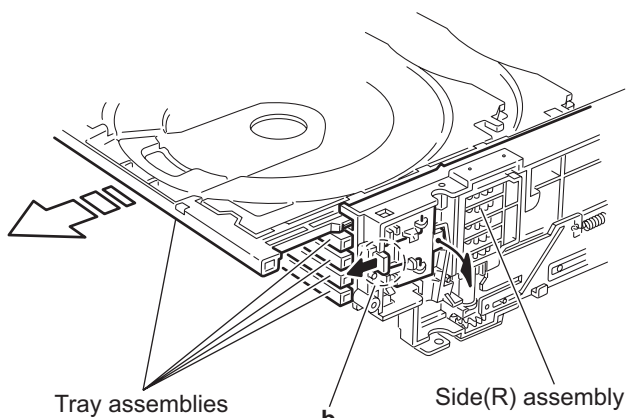


Fig.4

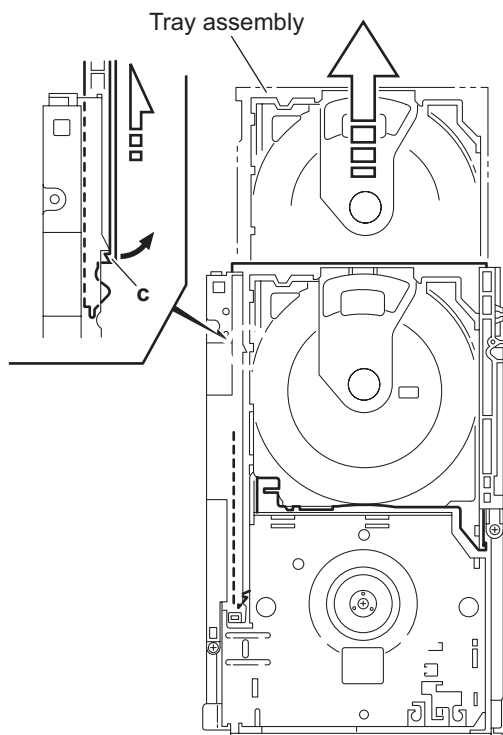


Fig.5



### 3.2.2 Removing the DVD servo board (See Figs.6 to 8)

**Caution:**

Solder the short land sections **d** on the DVD pickup before disconnecting the card wire extending from the DVD pickup. If you do not follow this instruction, the DVD pickup may be damaged.

- (1) From the topside of the DVD changer mechanism assembly, solder the short land sections **d** on the DVD pick up. (See Fig.6.)
- (2) From the bottom side of the DVD changer mechanism assembly, disconnect the card wire from the connectors (CN201, CN451) on the DVD servo board. (See Fig.7.)

**Reference:**

When connecting the card wire to the connector CN451, pass it through the sections **e** on the DVD traverse mechanism assembly. (See Fig.7.)

- (3) Disconnect the wires from the connectors (CN452, CN453) on the DVD servo board. (See Fig.7.)
- (4) Remove the two screws **B** attaching the DVD servo board. (See Fig.7.)
- (5) From the reverse side of the DVD servo board, release the lock of the connector CN101 in the direction of the arrow and disconnect the card wire. (See Fig.8.)

**Caution:**

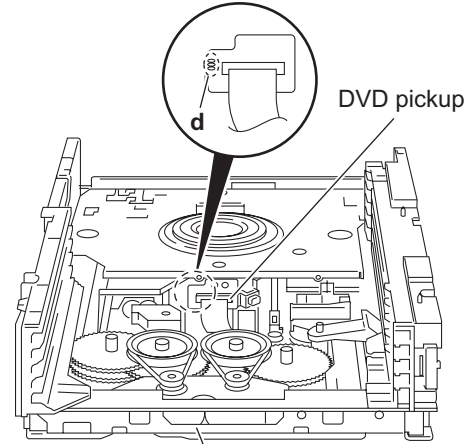
Unsolder the solders from the short land sections **d** after reassembling. (See Fig.6.)

### 3.2.3 Removing the switch board (See Fig.7)

- (1) From the bottom side of the DVD changer mechanism assembly, remove the screw **C** attaching the switch board on the DVD changer mechanism assembly.
- (2) Disconnect the wires from the connectors (CN452, CN453) on the DVD servo board.
- (3) Release the wires from the section **f** and remove the switch board.
- (4) Release the wires from the sections **g** and remove the switch board.

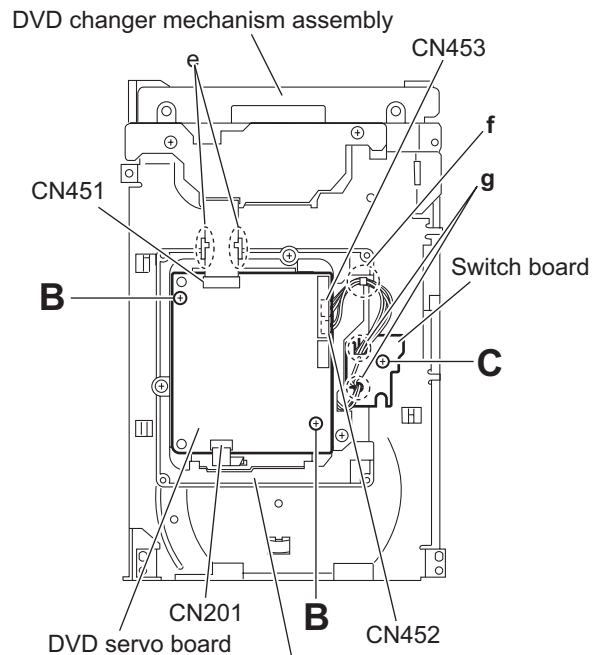
**Reference:**

When reassembling, pass the wires through the sections (f, g) as before.



DVD changer mechanism assembly

Fig.6



DVD traverse mechanism assembly

Fig.7

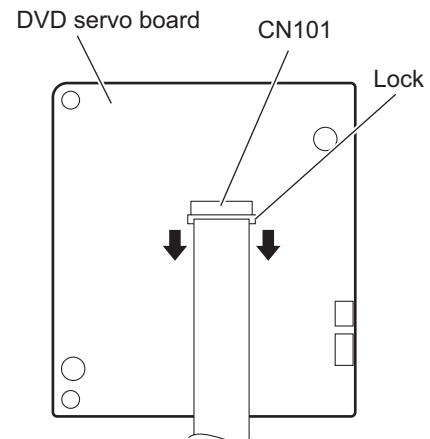


Fig.8

### 3.2.4 Removing the motor board (See Figs.9 and 10)

- (1) From the top side of the DVD changer mechanism assembly, remove the two belts from the motor pulleys. (See Fig.9.)

**Note:**

Take care not to attach grease on the belt.

- (2) Remove the two screws **D** attaching the motors to the loader assembly. (See Fig.9.)
- (3) From the bottom side of the DVD changer mechanism assembly, remove the two screws **E**. (See Fig.10.)
- (4) Disconnect the connector **CN2** on the motor board from the tray switch board and remove the motor board. (See Fig.10.)
- (5) Disconnect the card wire from the connector **CN1** on the forward side of the motor board. (See Fig.10.)

**Note:**

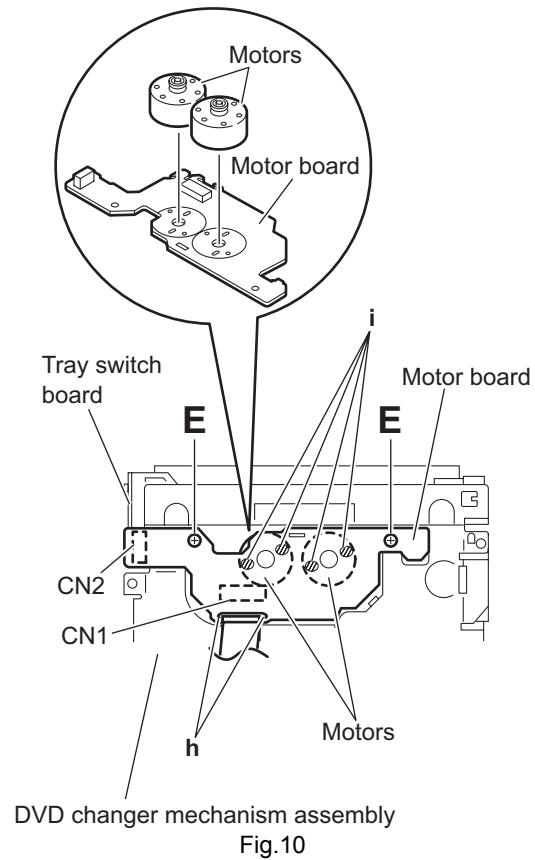
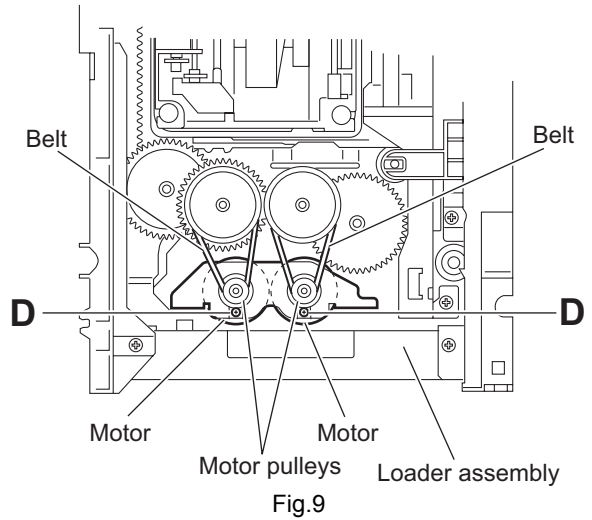
When connecting the card wire, let the card wire through the slots **h** of the motor board. (See Fig.10.)

**Reference:**

You need not to remove the tray assemblies, and in such case, move it.

### 3.2.5 Removing the motor (See Fig. 10)

- Remove the motor board.
  - (1) From the reverse side of the motor board, unsolder the four soldered sections **i** on the motor board.
  - (2) From the forward side of the motor board, remove the motors.



### 3.2.6 Removing the DVD traverse mechanism assembly (See Fig.11)

- Remove the tray assemblies and DVD servo board.
  - (1) From the bottom side of the DVD changer mechanism assembly, remove the three screws **F** attaching the DVD traverse mechanism assembly.
  - (2) Remove the wires from the section **j**.
  - (3) Take out the DVD traverse mechanism assembly from the DVD changer mechanism assembly.

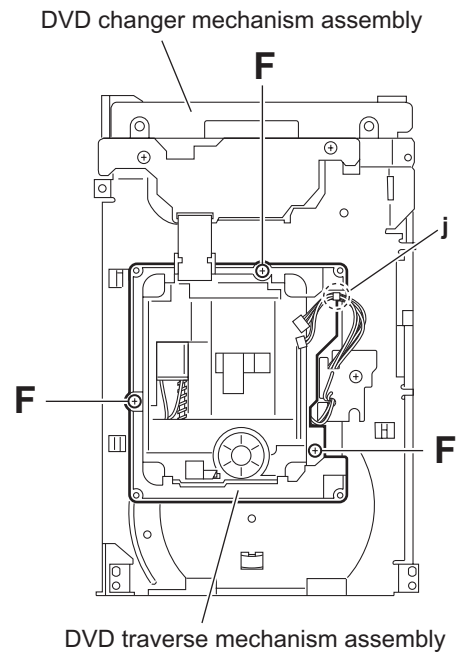


Fig.11

### 3.2.7 Removing the DVD pickup (See Figs.12 to 14)

- Remove the tray assemblies, DVD servo board and DVD traverse mechanism assembly.
  - (1) From the top side of the DVD traverse mechanism assembly, release the lock of the connector on the DVD pickup and disconnect the card wire in the direction of the arrow. (See Fig.12.)
  - (2) Turn the screw shaft gear in the direction of the arrow 1 to move the DVD pickup in the direction of the arrow 2. (See Fig.12.)
  - (3) Remove the screw **G** attaching the feed bracket and remove the feed bracket from the sections **k**. (See Fig.12.)
  - (4) Release the claw **m** of the thrust spring in the direction of the arrow and remove the thrust spring. (See Fig.12.)
  - (5) Remove the guide shaft from the sections (**n**, **p**) on the C.TM chassis. (See Fig.13.)
  - (6) Remove the section **q** of the DVD pickup. (See Fig.13.)
  - (7) Remove the two screws **H** attaching the rack arm spring and rack arm. (See Fig.14.)
  - (8) Pull the guide shaft from the DVD pickup in the direction of the arrow. (See Fig.14.)

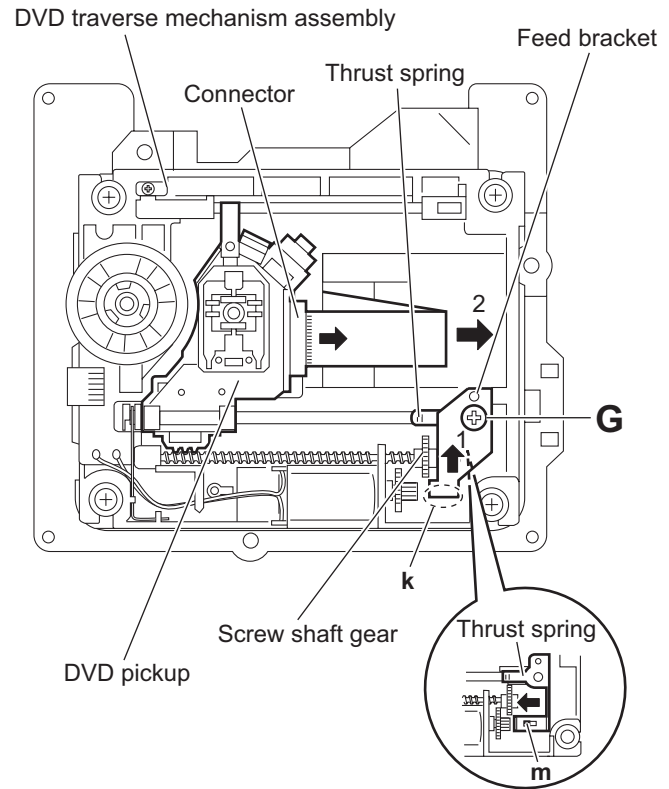


Fig.12

### 3.2.8 Attaching the DVD pickup (See Figs.12 to 14)

- (1) Attach the guide shaft to the DVD pickup and attach the rack arm spring and rack arm with the screws **H**. (See Fig.14.)
- (2) Attach the section **q** of the DVD pickup to the C.TM chassis first and attach the guide shaft to the sections (**n**, **p**). (See Fig.13.)

#### Reference:

When attaching the guide shaft to the section **p**, attach it under the rod spring. (See Fig.13.)

- (3) Attach the thrust spring and feed bracket with the screw **G**. (See Fig.12.)
- (4) Turn the screw shaft gear in the direction of the arrow 1 to move the DVD pickup in the direction of the arrow 2. (See Fig.15.)
- (5) Connect the card wire to the connector on the DVD pickup. (See Fig.15.)

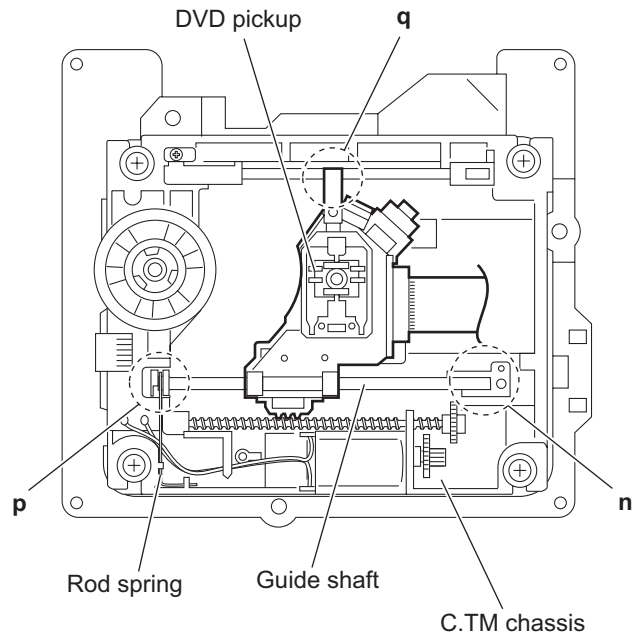


Fig.13

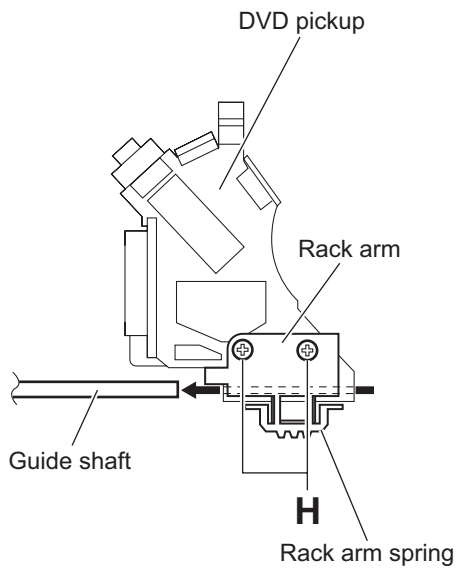


Fig.14

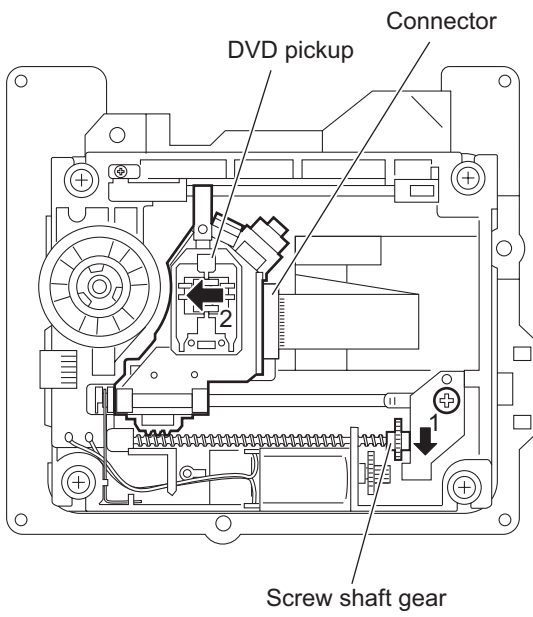


Fig.15

### 3.2.9 Removing the spindle motor board (See Figs.16 and 17)

- Remove the tray assemblies, DVD servo board and DVD traverse mechanism assembly.
  - From the top side of the DVD traverse mechanism assembly, remove the wires from the soldered sections **r** on the spindle motor board. (See Fig.16.)
  - From the bottom side of the DVD traverse mechanism assembly, remove the three screws **J** attaching the spindle motor board. (See Fig.17.)

#### Reference:

When attaching the spindle motor board, let the card wire through the hole **s** on the C.TM chassis. (See Fig.17.)

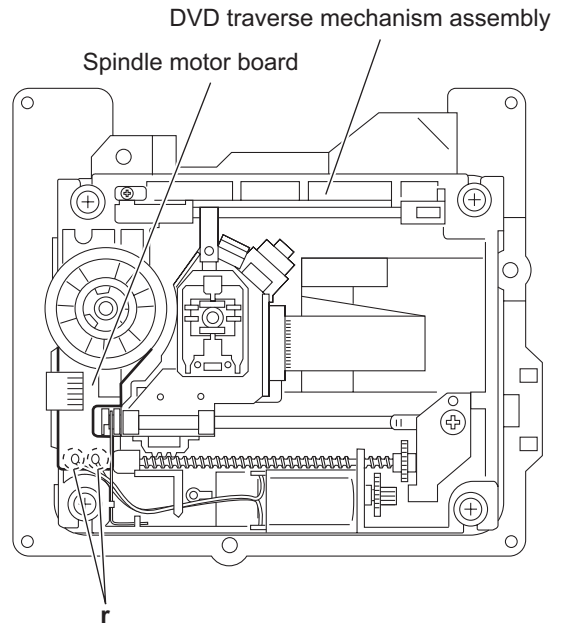


Fig.16

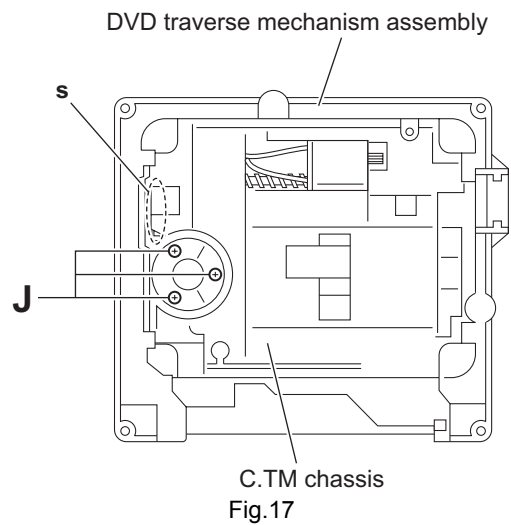


Fig.17

### 3.2.10 Removing the feed motor (See Figs.18 and 19)

- Remove the tray assemblies and DVD traverse mechanism assembly.
  - (1) From the top side of the DVD traverse mechanism assembly, remove the screw **K** attaching the feed bracket and remove the feed bracket from the sections **t**. (See Fig.18.)
  - (2) Release the claw **u** of the thrust spring in the direction of the arrow and remove the thrust spring. (See Fig.18.)
  - (3) Remove the screw shaft from the section **v** and remove it in the direction of the arrow. (See Fig.19.)
  - (4) Remove the middle gear. (See Fig.19.)
  - (5) Remove the screw **L** attaching the feed motor to the C.TM chassis. (See Fig.19.)
  - (6) Remove the wires from the soldered sections **w** on the spindle motor board. (See Fig.19.)
  - (7) Take out the feed motor from the motor base.

#### Reference:

After attaching the feed motor, pass the wires through the sections **x** on the C.TM chassis as before. (See Fig.19.)

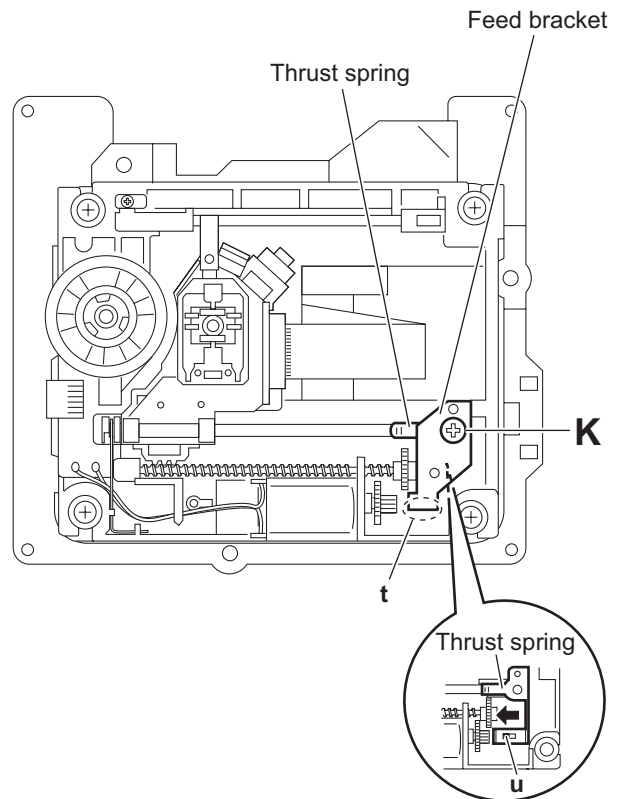


Fig.18

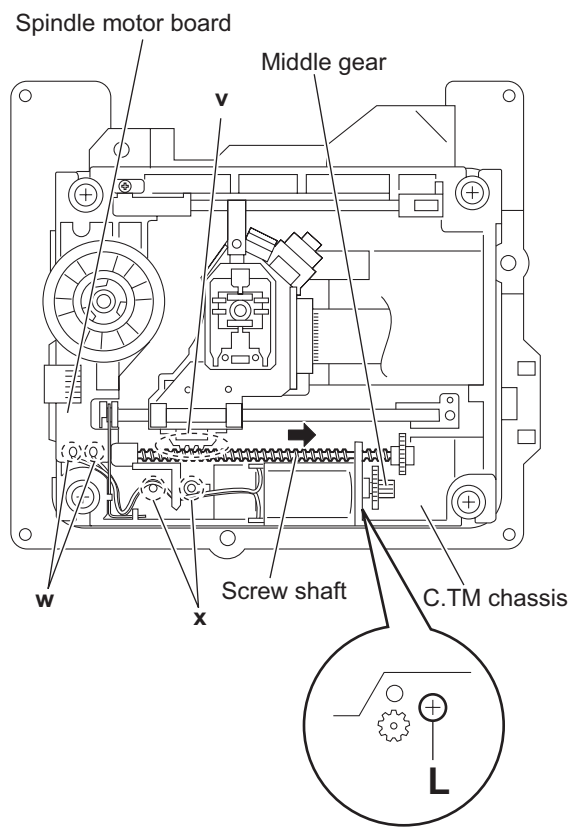
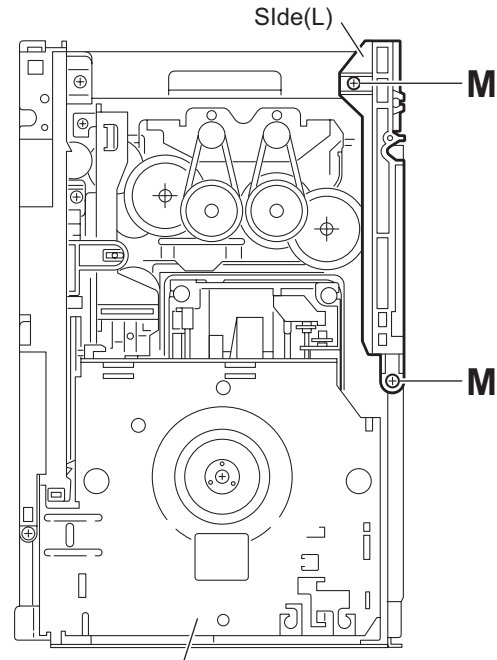


Fig.19

### 3.2.11 Removing the side (L) and tray switch board (See Figs.20 to 22)

- Remove the tray assemblies.

- (1) From the topside of the DVD changer mechanism assembly, remove the two screws **M** attaching the side (L). (See Fig.20.)
- (2) From the left side of the DVD changer mechanism assembly, disconnect the connector **CN3** on the tray switch board from the motor board and detach the side (L) in an upward direction. (See Fig.21.)
- (3) Remove the screw **N** attaching the tray switch board to the side (L). (See Fig.22.)
- (4) Release the joint tab **y** of the side (L) in the direction of the arrow 1 and release the joint tab **z** while removing the tray switch board in the direction of the arrow 2. (See Fig.22.)



DVD changer mechanism assembly  
Fig.20

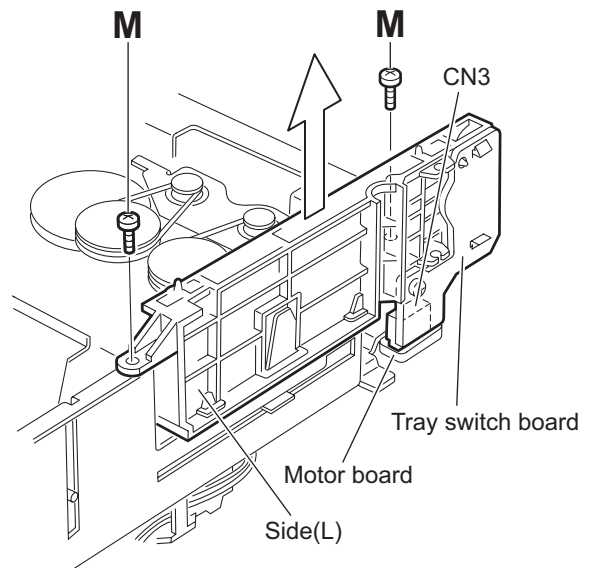


Fig.21

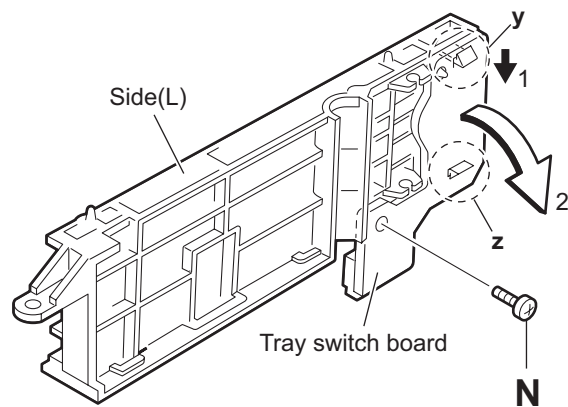


Fig.22



### 3.2.12 Removing the side (R) assembly (See Fig.23 to 27)

- Remove the tray assemblies and DVD servo board.
  - From the inside of the side (R) assembly, release the two tabs **aa** of the gear cover and remove the gear cover outward. (See Figs.23 and 24.)
  - From the right side of the DVD changer mechanism assembly, remove the elevator spring attached to the hook **ab** of the loader assembly. (See Figs.24 and 25.)
  - From the top side of the DVD changer mechanism assembly, turn the gear 1 clockwise to move the elevator cam rearward. (See Fig.25.)
  - Move the two slots **ac** and joint **ad** of the elevator cam and remove the elevator cam outward. (See Fig.25.)
  - Remove the three screws **P** and detaches the side (R) assembly upward. (See Figs.26 and 27.)

**Note:**

When reattaching the side (R) assembly, make sure to fit the shaft (part **ae**) into the slot of the select lever. (See Fig.26.)

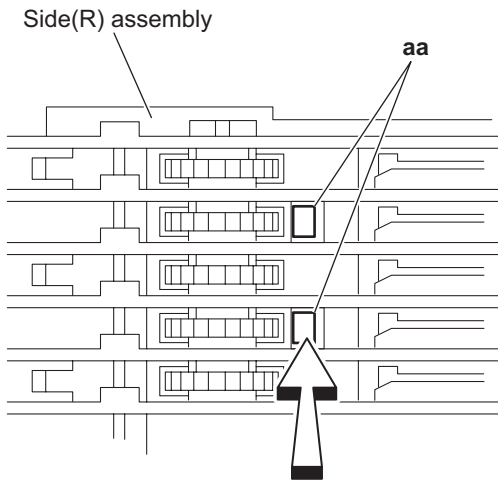
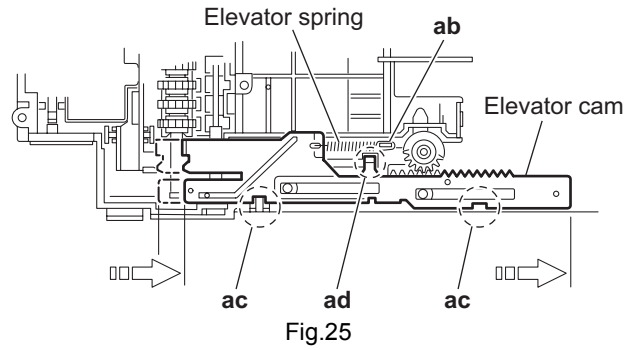


Fig.23

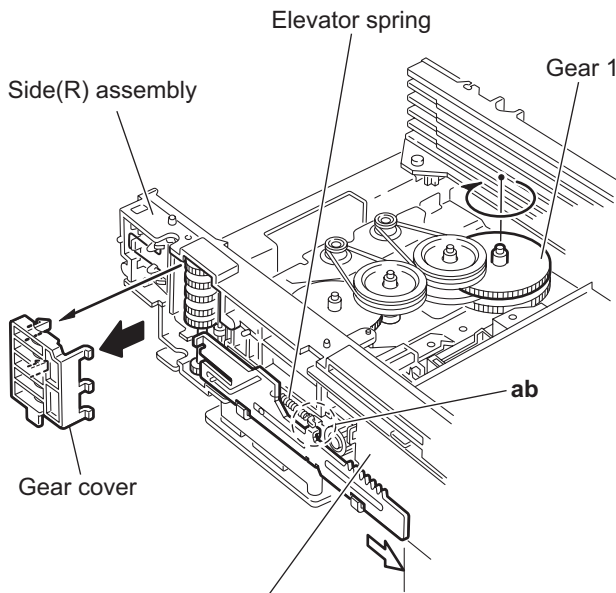


Fig.24

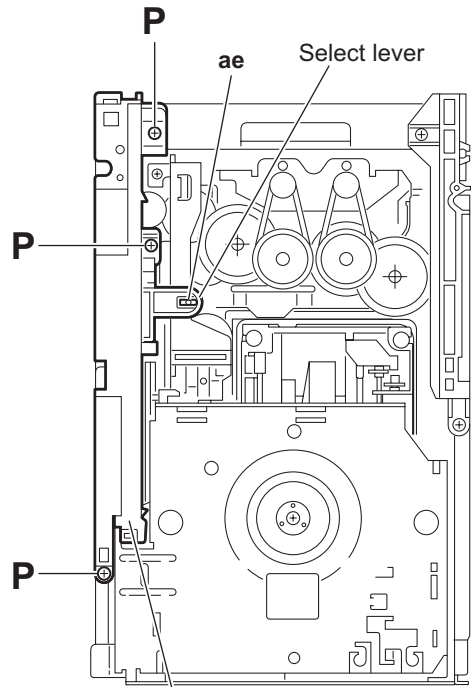


Fig.26

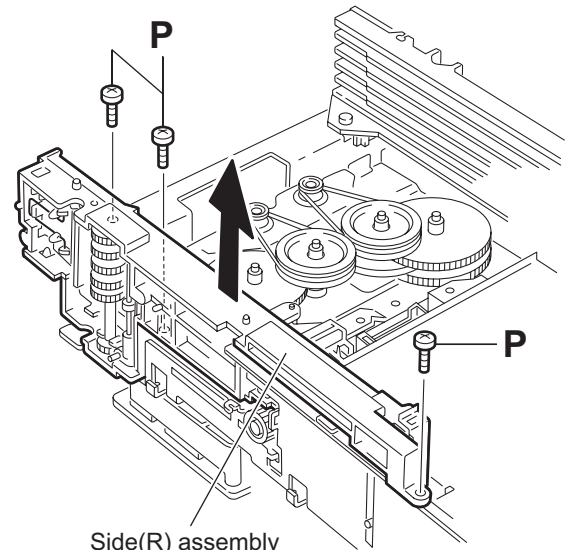


Fig.27

### 3.2.13 Removing the lifter assembly (See Figs.28 to 32)

- Remove the tray assemblies, DVD servo board, side (L) and side (R) assembly.
  - From the top side of the DVD changer mechanism assembly, turn the gear 1 clockwise to move the lifter assembly upward. (See Figs.28 and 29.)
  - Turn the gear 2 clockwise to move the hook toward the front until it stops. (See Figs.28 and 29.)
  - Move the hook stopper in the direction of the arrow 2 while pushing the tab **af** of the hook stopper to unlock it in the direction of the arrow 1 and release four joints **ag** to detach from the rack holder. (See Fig.30.)
  - Release the rod (L) from part **ah**. (See Fig.30.)
  - Turn the gear 1 clockwise again to move the lifter assembly upward. (See Fig.31.)
  - Remove the lifter assembly from the DVD changer mechanism assembly upward at the positions **ai** where the four pins on the both sides of the lifter assembly fit to the notches of the loader assembly. (See Fig.31.)
  - Move the lifter assembly in the direction of the arrow and release it from the hook. (See Fig.32.)

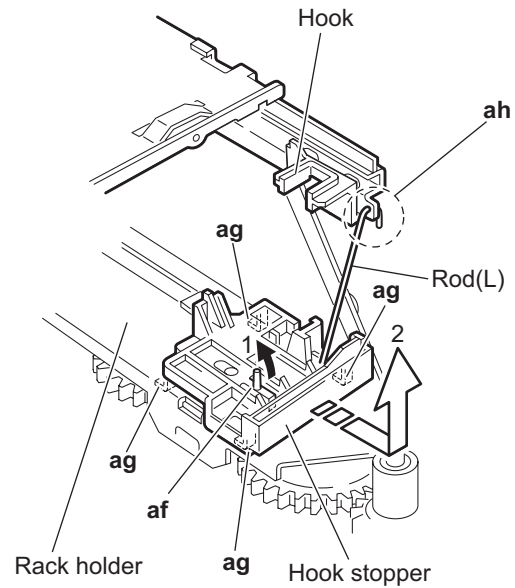
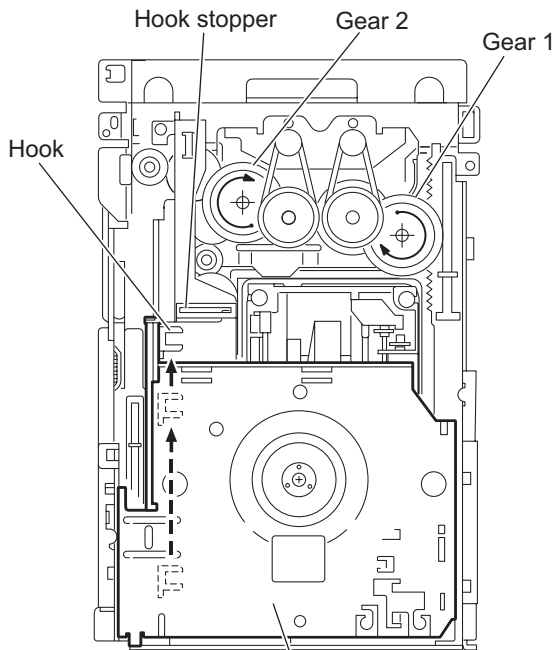
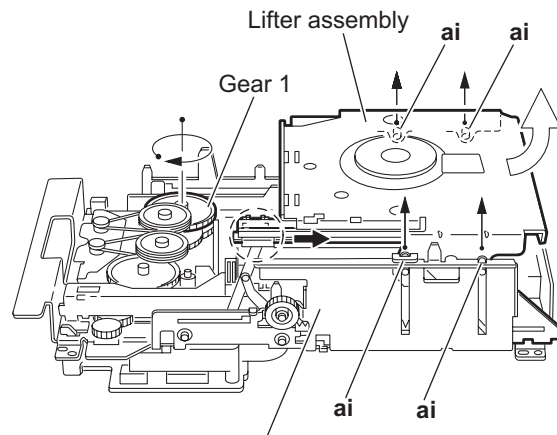


Fig.30



Lifter assembly  
Fig.28



Loader assembly  
Fig.31

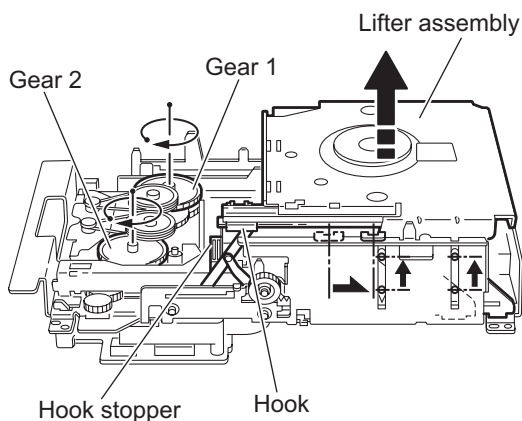


Fig.29

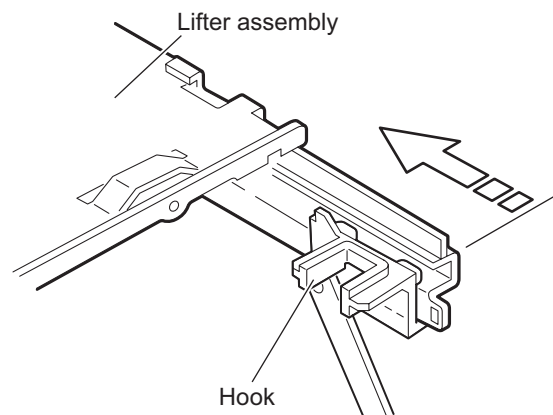


Fig.32

### 3.2.14 Removing the sensor board and SV resistor (See Fig.33)

- Remove the tray assemblies, side (L), side (R) assembly and lifter assembly.
  - Remove the solders from the soldered sections **aj** on the sensor board and remove the wires.
  - Remove the two screws **Q** and take out the sensor board with the SV resistor.

#### Reference:

- Remove the soldered section **ap** on the sensor board as required.
- When reassembling, pass the wires through the slot **ak** of the sensor board as before.

#### Note:

When reattaching the SV. resistor, fit the projection **am** on the bottom of the SV. resistor into slot **an** of the sensor slider.

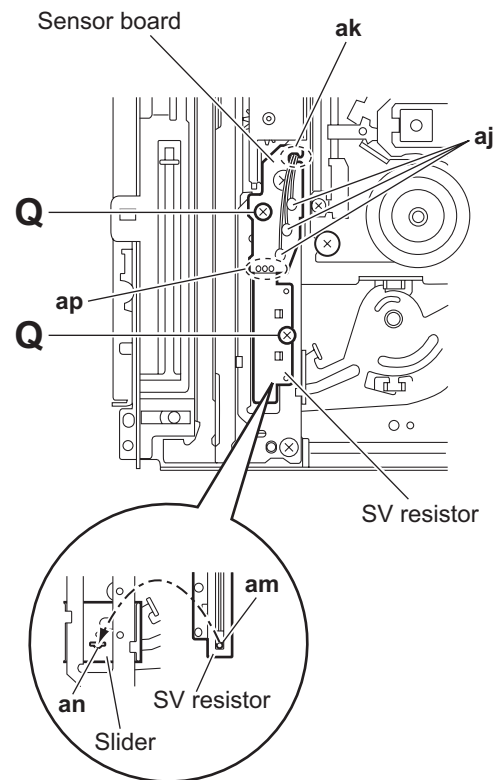


Fig.33

### 3.2.15 Taking out the disc in the play mode (See Fig.34 to 37)

#### Reference:

Refer to "Removing the tray assemblies".

- (1) From the top side of the DVD changer mechanism assembly, remove the top cover.
- (2) Unlock the tray assemblies and draw out the tray assemblies toward the front.
- (3) From the top side of the DVD changer mechanism assembly, turn the gear 1 clockwise to move the lifter assembly upward. (See Fig.34.)
- (4) Turn the gear 2 clockwise to move the sub tray remaining inside the lifter assembly toward the front, then pull out.
- (5) Take out the disc on the sub tray. (See Fig.35.)
- (6) After clearing away the disc, insert the sub tray into the main tray. (See Fig.36.)

#### Note:

When reattaching the sub tray, move the tray stopper on the bottom of the main tray in the direction of the arrow to lock the sub tray certainly. (See Figs.36 and 37.)

- (7) Push the tray assembly toward the DVD changer mechanism assembly and reattach.

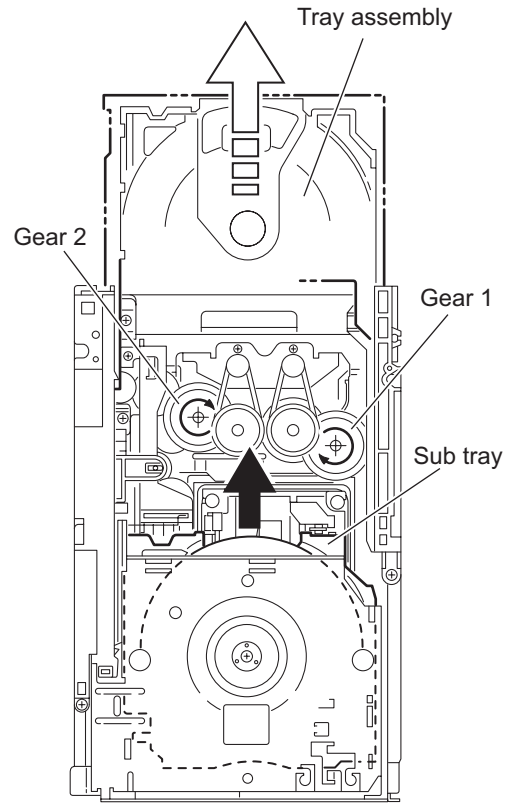


Fig.34

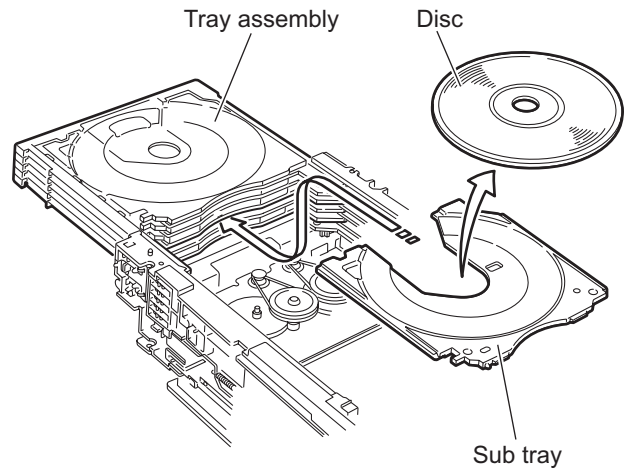
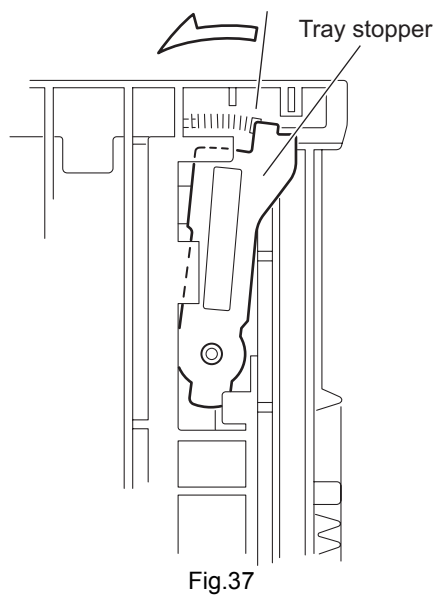
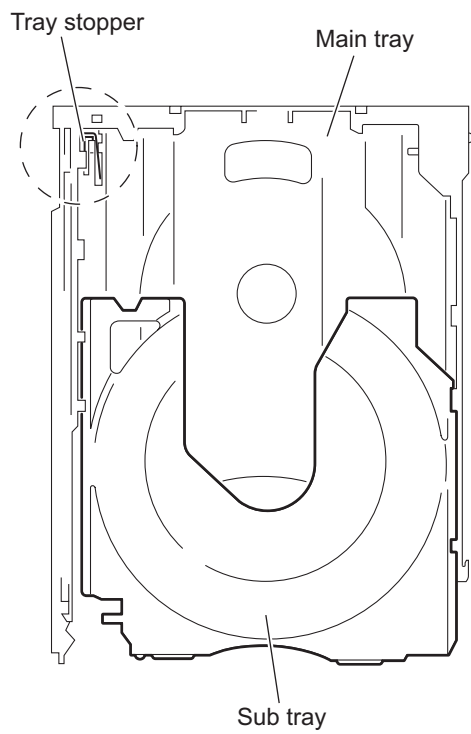


Fig.35



# SECTION 4 ADJUSTMENT

## 4.1 Attention in service of DVD section

- (1) When pickup, Flash ROM, DVD module board were changed, initialize EEPROM by all means.
- (2) When full initialization was executed, execute learning with a DVD test disk by all means.  
 Test disc : VT-501, VT-502  
 Learning method : It is adjusted automatically by normal playback of a DVD test disc.

## 4.2 TO ENTER DVD TEST MODE

- a) AC Power OFF.
- b) Press and hold STOP + DVD PLAY keys on the front panel. Then AC power ON while holding these keys.
- c) DVD Mecha will start in TEST MODE. The following will be display on the set.

T | x | x | y | v | w

xx = Destination information as follows; JC/1U/D/E/2U/3U/UB/UT/4U/UY/EE/UF  
 y = region number  
 v = study state information from MECHA-CON

<b>'v' Status</b>	<b>0</b>	<b>1</b>	<b>2</b>	<b>3</b>
DVD Learned	Y	N	Y	N
'CD Learned	Y	Y	N	N
<b>'w' Status</b>	<b>0</b>	<b>3</b>	<b>BLANK(0xFF)</b>	
Initialize Status	Normal	Full	Not Initialize	

w = initialization state from MECHA-CON

## 4.3 TO EXIT DVD TEST MODE

During TEST MODE, press POWER key.

## 4.4 DVD MODULE EEPROM INITIALIZATION

No	STEP	NORMAL INITIALIZE	FULL INITIALIZE
1)	During DVD TEST MODE	Press  key on front panel.	Press STOP key on front panel and hold for 4 seconds.
2)	System display -> w status	w = 0 (Normal initialize)	w = 3 (Full initialize)

## 4.5 DEVICE KEY CHECKSUM DISPLAY

- a) During TEST MODE, press MENU key on remocon to enter DEVICE KEY CHECKSUM display for DVD-AUDIO (CPPM).

(KEY INDEX)  
 (DEVICE KEY INFO)  
 (DEVICE KEY CHECKSUM)

- b) System will display as follows.

C | P | P | M | x | x | x | x

- c) Press MENU again to enter DEVICE KEY CHECKSUM display for DVD-VR MODE (CPRM).

(KEY INDEX)  
 (DEVICE KEY INFO)  
 (DEVICE KEY CHECKSUM)

- d) System will display as follows.

C | P | R | M | x | x | x | x

## 4.6 DVD CHECK MODES

a) Press MENU key again to enter CHECK MODE.

(TEST MODE, MODE STATUS, CHECK MODE)

i) During CHECK mode, press '1' key on REMOTE CONTROL to START PLAYBACK.

C	H	E	C	K		
P	L	A	Y	B	A	C

ii) During CHECK mode, press '2' key on REMOTE CONTROL to perform SEARCH TNO+1  
(2 seconds)

Status: AA 00 cc cc jj jj

W	O	B	B	L	E	
c	c	c	c	j	j	j

iii) During CHECK mode, press '3' key on REMOTE CONTROL to perform SEARCH TNO-1

C	H	E	C	K		
---	---	---	---	---	--	--

iv) During CHECK mode, press '4' key on REMOTE CONTROL to light up CD\_LD and display CD laser current.

(2 seconds)

(Static)

C	D	L	D	L	S	R
c	c	c	c	j	j	j

v) During CHECK mode, press '5' key on REMOTE CONTROL to light up DVD\_LD and display DVD laser current.

(2 seconds)

(Static)

D	V	D	L	D	L	S	R
c	c	c	c	j	j	j	j

vi) During CHECK mode, press '6' key on REMOTE CONTROL to enter DVD x 2 JITTER MEASUREMENT MODE.

(2 seconds)

(Static)

J	I	T	X	1			
c	c	c	c	j	j	j	j

vii) During CHECK mode, press '7' key on REMOTE CONTROL to view DVD module EEPROM content in -1 address step.

(2 seconds)

(Static)

E	E	P		B	W	D	
c	c	c	c	j	j	j	j

viii) During CHECK mode, press '8' key on REMOTE CONTROL to view DVD module EEPROM content in +1 address step.

(2 seconds)

(Static)

E	E	P		F	W	D	
c	c	c	c	j	j	j	j

ix) During CHECK mode, press '9' key on REMOTE CONTROL to perform TEMPERATURE SENSOR VALUE.

(2 seconds)

(Static)

T	E	M	P				
c	c	c	c	j	j	j	j

x) During CHECK mode, press '10' key on REMOTE CONTROL to perform SEARCH DVD\_DL PARALLEL DISC DESIGNATED POSITION and JITTER MEASUREMENT

(2 seconds)

(Static)

D	V	D	-	D	L		
c	c	c	c	j	j	j	j

xi) During CHECK mode, press '0' key on REMOTE CONTROL to perform monitor output.

(2 seconds)

(Static)

M	O	N	I	T	O	R	
c	c	c	c	j	j	j	j

xii) During CHECK mode, press '+10' key to INITIALIZE DVD module EEPROM.

I	N	I	T				
---	---	---	---	--	--	--	--

xiii) During CHECK mode, press PLAY key on REMOTE CONTROL to start PLAYING and obtain LASER CURRENT and JITTER value.

(2 seconds)

(Static)

L	S	R		J	I	T	
c	c	c	c	j	j	j	j

xiv) During CHECK mode, press STOP key on REMOTE CONTROL to stop JITTER measurement.

(Static)

c	c	c	c	j	j	j	j
---	---	---	---	---	---	---	---

b) During CHECK mode, at any time press MENU key to exit CHECK mode and return to starting screen of DVD TEST MODE.

## **SECTION 5 TROUBLESHOOTING**

This service manual does not describe TROUBLESHOOTING.







# JVC

Victor company of Japan, Limited  
Audio/Video Systems category 10-1,1chome,Ohwatari-machi,Maebashi-city,371-8543,Japan

(No.MB620)



Printed in Japan  
VPT

# JVC

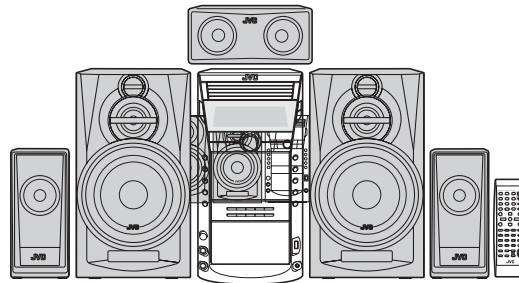
## SCHEMATIC DIAGRAMS

### COMPACT COMPONENT SYSTEM

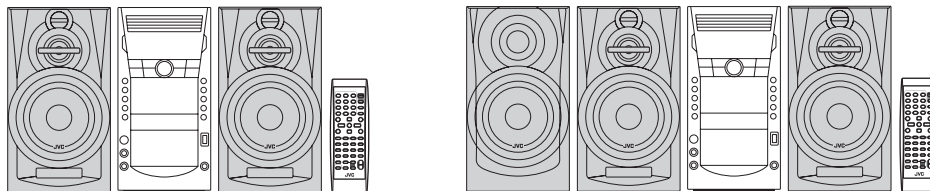
# DX-J35EE, DX-J35UX, DX-J35UG DX-J35UN, DX-J20EE, DX-J20UW DX-J10EE

CD-ROM No.SML200707

SP-DXJ35C



SP-DXJ35S SP-DXJ35F CA-DXJ35 SP-DXJ35F SP-DXJ35S



SP-DXJ10 CA-DXJ10 SP-DXJ10 SP-DXJ20W SP-DXJ20F CA-DXJ20 SP-DXJ20F



Lead free solder used in the board (material : Sn-Ag-Cu, melting point : 219 Centigrade)

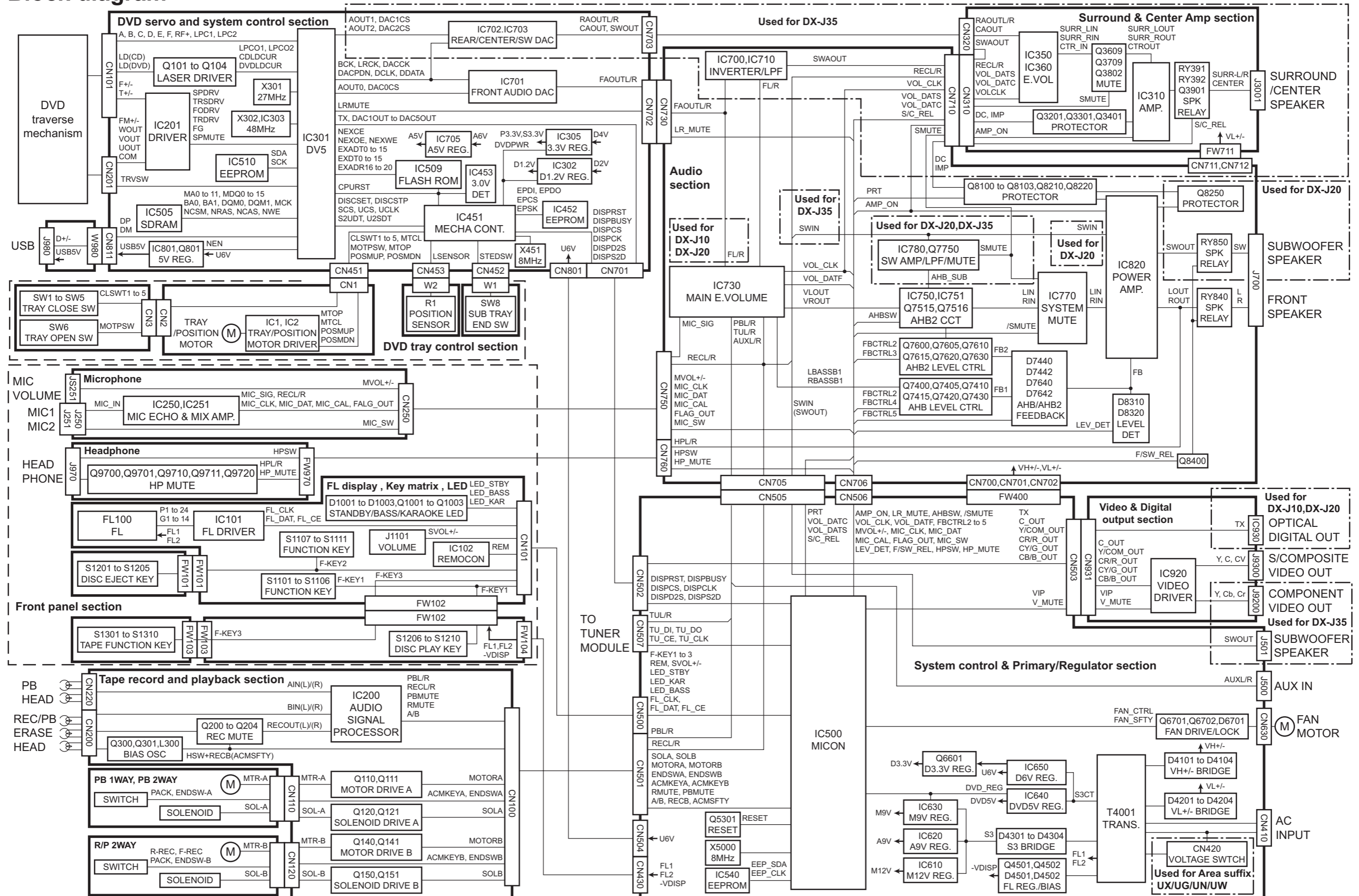
Lead free solder used in the board (material : Sn-Cu, melting point : 230 Centigrade)

### Contents

Block diagrams .....	2-1
Standard schematic diagrams .....	2-2
Printed circuit boards .....	2-17 to 20

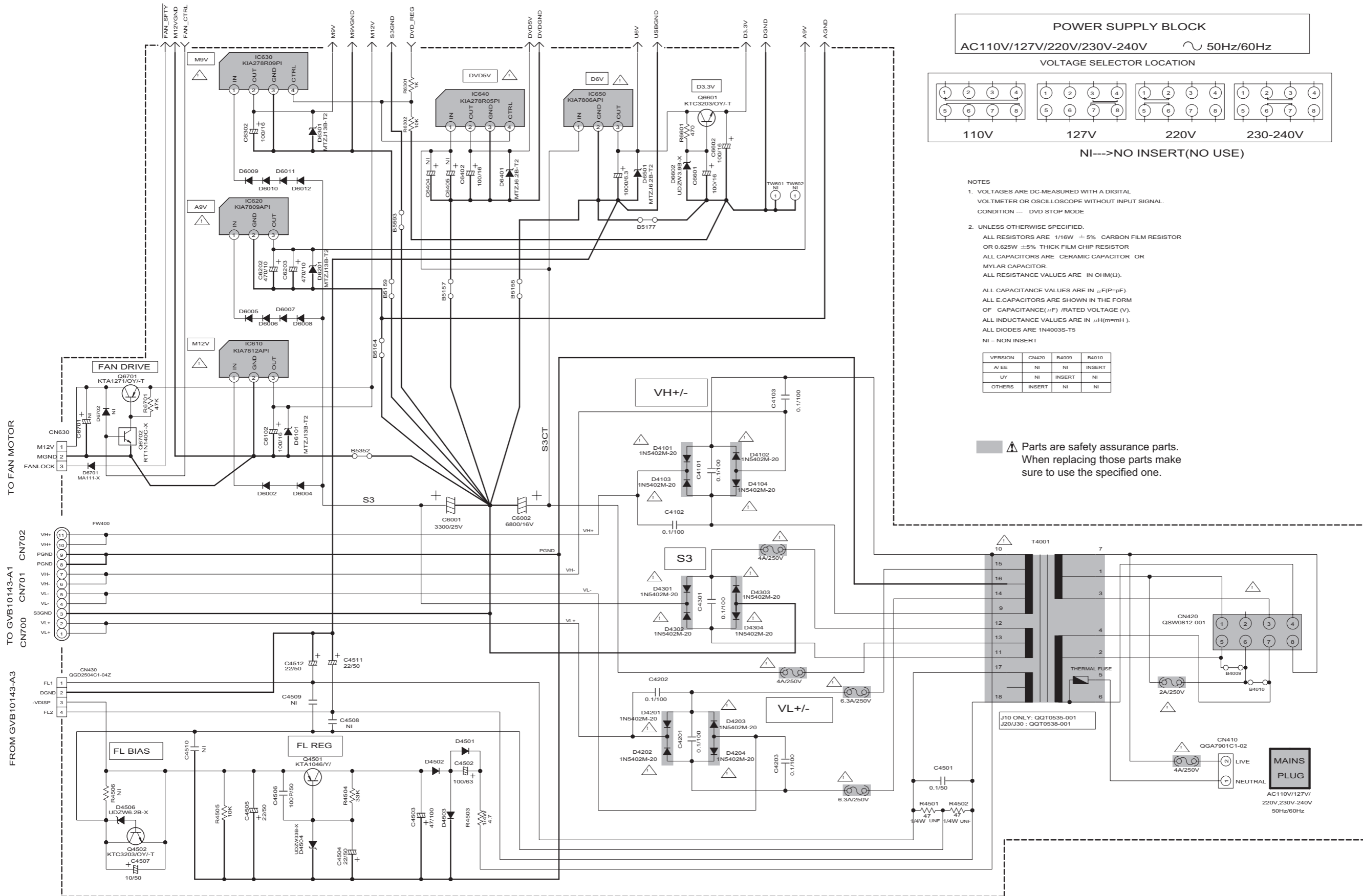
In regard with component parts appearing on the silk-screen printed side (parts side) of the PWB diagrams, the parts that are printed over with black such as the resistor (■), diode (▣) and ICP (●) or identified by the "▲" mark nearby are critical for safety.

# Block diagram



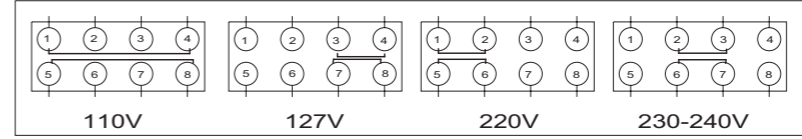
# Standard schematic diagrams

## Primary section (for DX-J35)



**POWER SUPPLY BLOCK**  
AC110V/127V/220V/230V-240V 50Hz/60Hz

VOLTAGE SELECTOR LOCATION



NI--->NO INSERT(NO USE)

**NOTES**

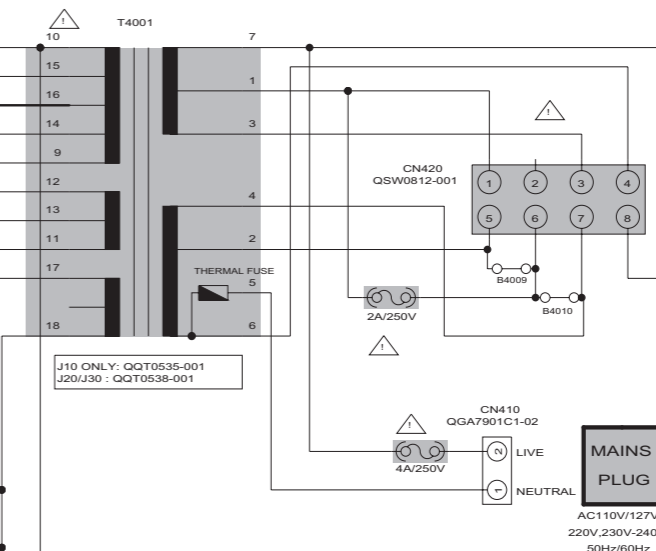
1. VOLTAGES ARE DC-MEASURED WITH A DIGITAL VOLTMETER OR OSCILLOSCOPE WITHOUT INPUT SIGNAL. CONDITION — DVD STOP MODE

2. UNLESS OTHERWISE SPECIFIED.  
ALL RESISTORS ARE 1/16W ±5% CARBON FILM RESISTOR OR 0.625W ±5% THICK FILM CHIP RESISTOR  
ALL CAPACITORS ARE CERAMIC CAPACITOR OR MYLAR CAPACITOR.  
ALL RESISTANCE VALUES ARE IN OHM(Ω).

ALL CAPACITANCE VALUES ARE IN μF(P=pF).  
ALL E.CAPACITORS ARE SHOWN IN THE FORM OF CAPACITANCE(μF)/RATED VOLTAGE (V).  
ALL INDUCTANCE VALUES ARE IN μH(m=mH).  
ALL DIODES ARE 1N4003S-T5  
NI = NON INSERT

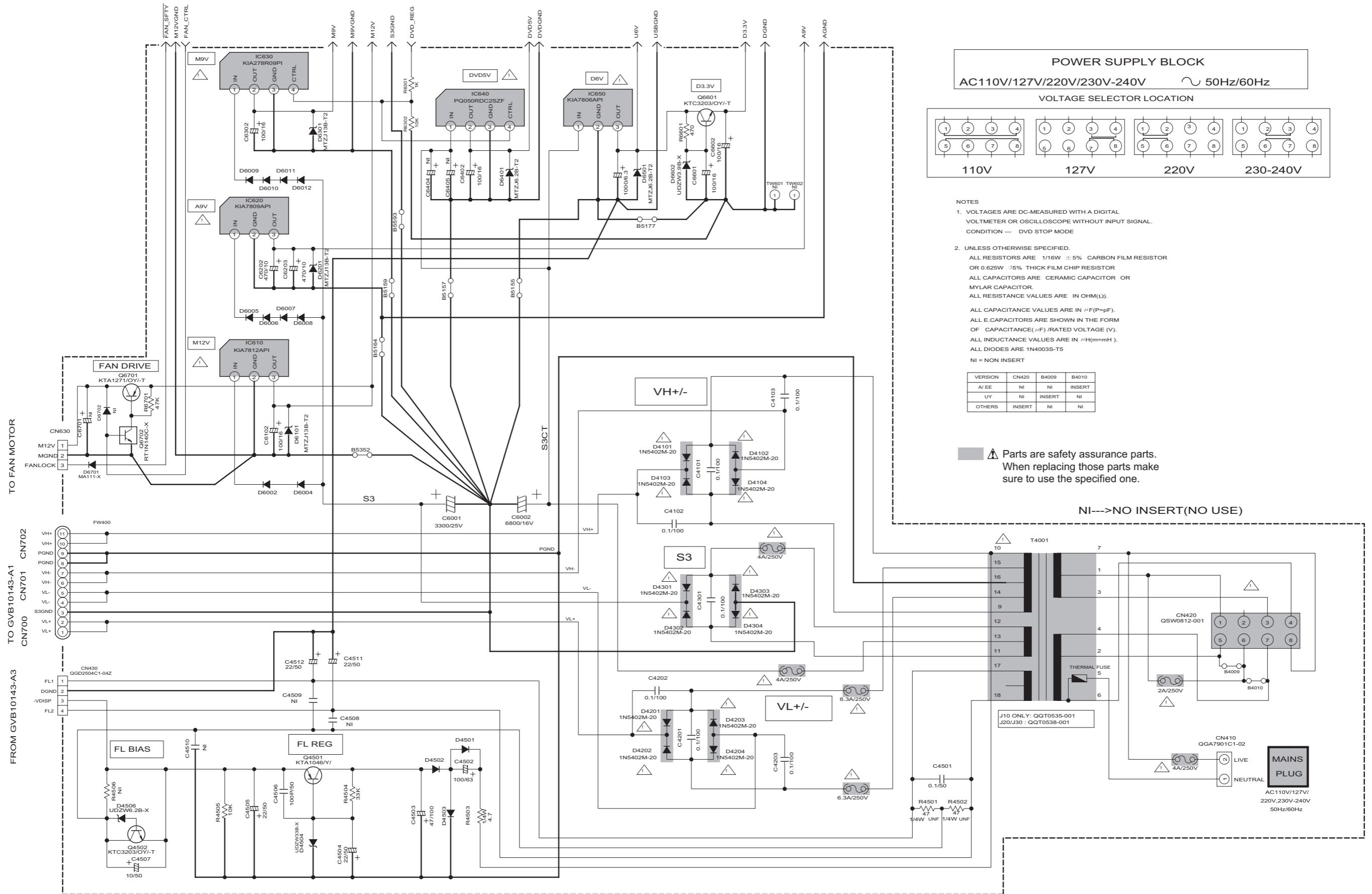
VERSION	CN420	B4009	B4010
A/EE	NI	NI	INSERT
UY	NI	INSERT	NI
OTHERS	INSERT	NI	NI

⚠ Parts are safety assurance parts. When replacing those parts make sure to use the specified one.

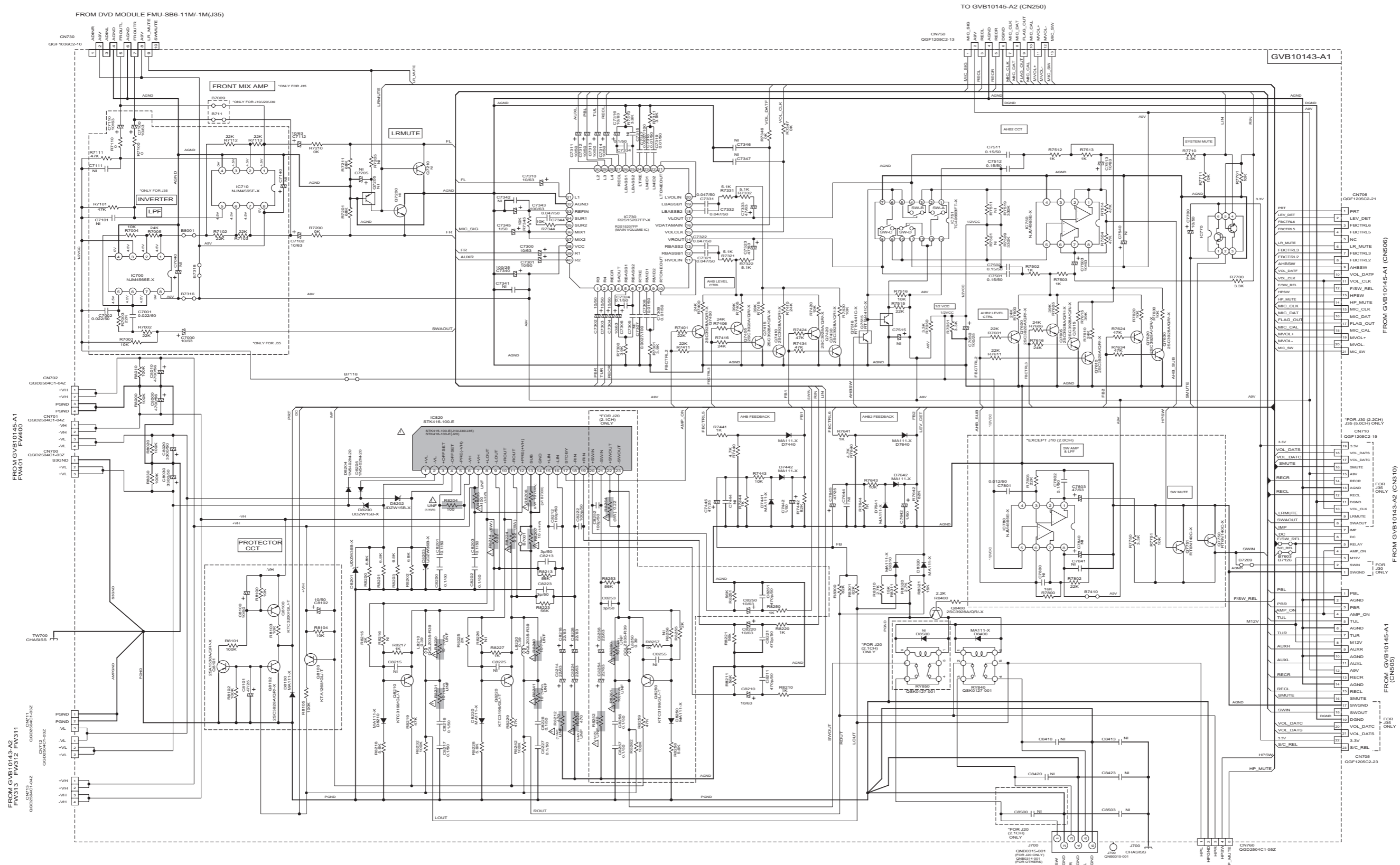


**MAINS PLUG**  
AC110V/127V/220V,230V-240V 50Hz/60Hz

Primary section (except DX-J35)

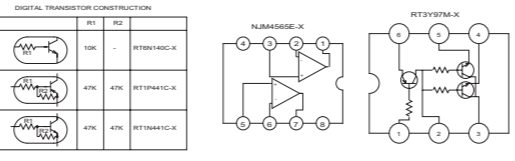


# Main section



**NOTES**  
 1. VOLTAGES ARE DC-MEASURED WITH A DIGITAL VOLT METER OR OSCILLOSCOPE WITHOUT INPUT SIGNAL. CONDITION - DVD STOP MODE.  
 2. UNLESS OTHERWISE SPECIFIED:  
 ALL RESISTORS ARE 1/16W ± 5% CARBON FILM RESISTOR OR 0.625W ± 5% THICK FILM CHIP RESISTOR.  
 ALL CAPACITORS ARE CERAMIC CAPACITOR OR MYLAR CAPACITOR.

ALL RESISTANCE VALUES ARE IN OHMS(O).  
 ALL CAPACITANCE VALUES ARE IN μ(F)(pF).  
 ALL E. CAPACITORS ARE SHOWN IN THE FORM OF CAPACITANCE(E,F)/RATED VOLTAGE (V).  
 ALL INDUCTANCE VALUES ARE IN μ(H)(mH)(H).  
 ALL DIODES ARE MA111-X

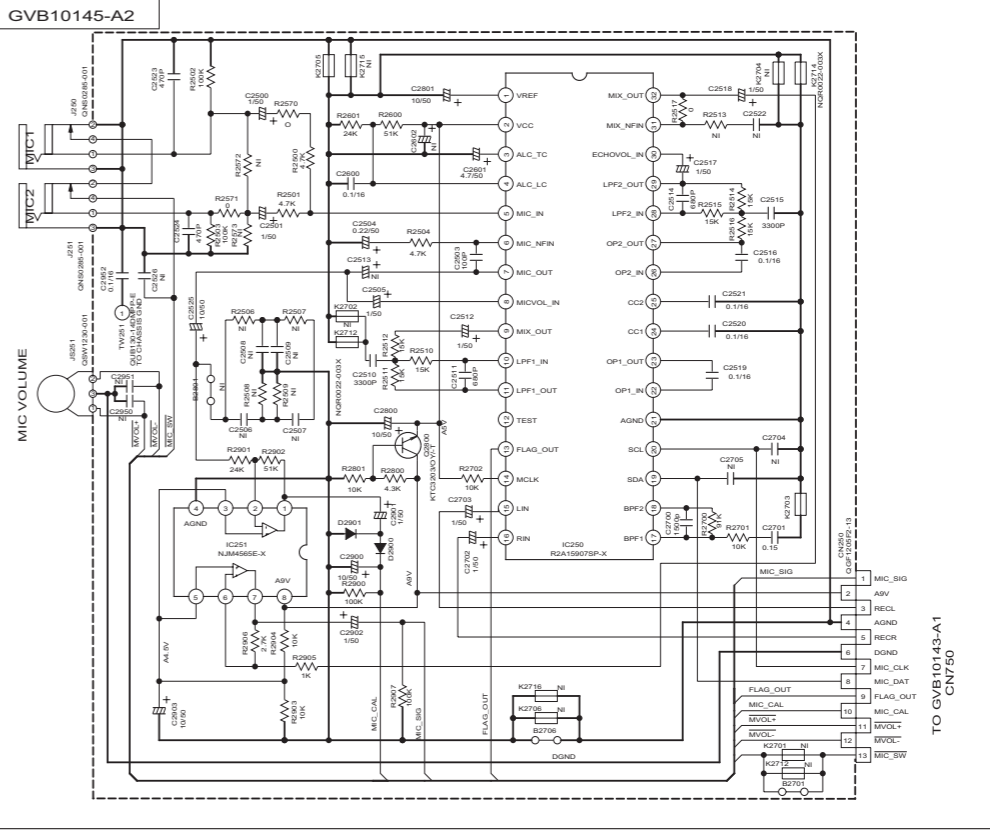
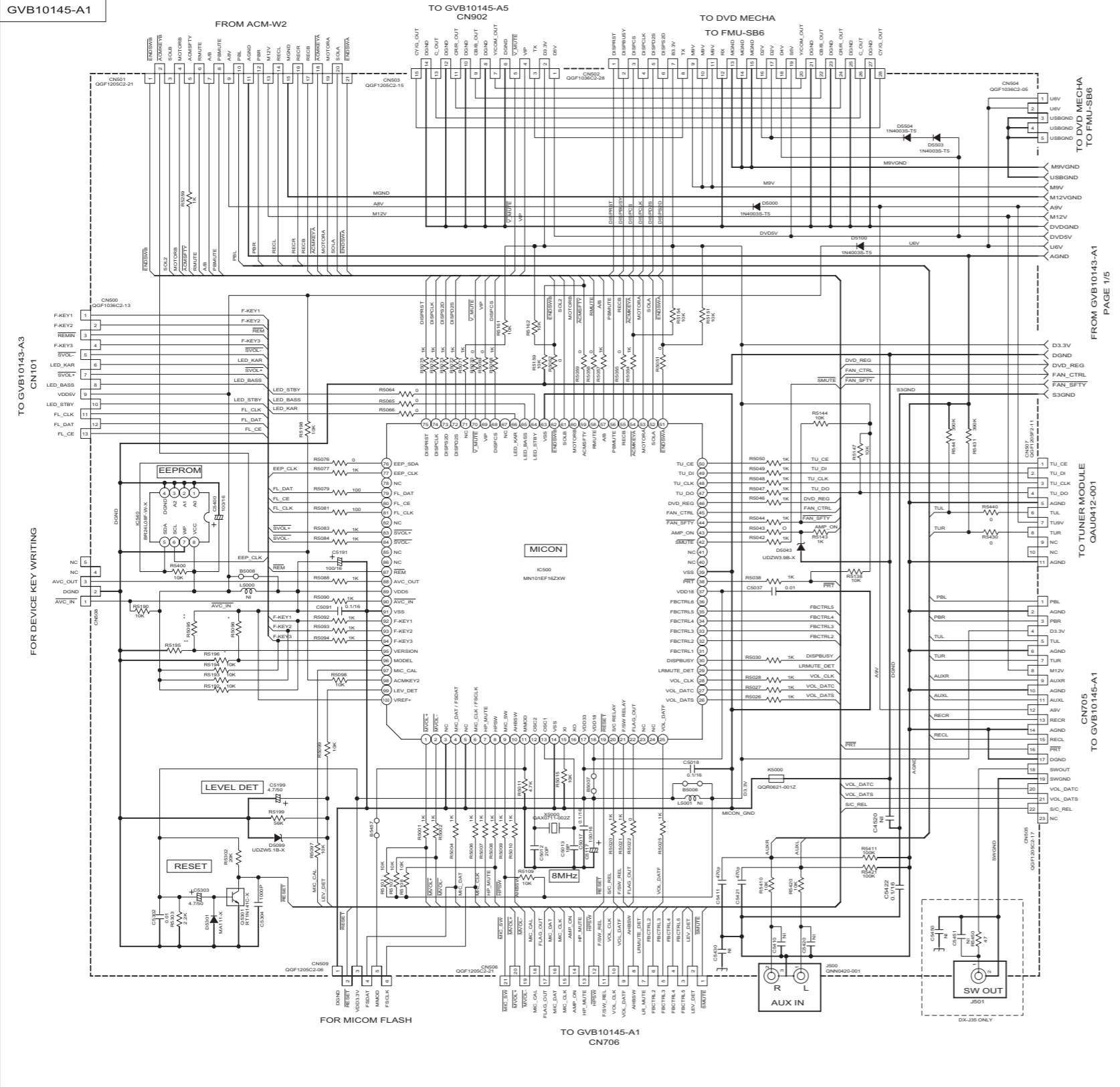


J10	J20	J30	J35
CN750 QGF1205C2-19	QGF1205C2-19	QGF1205C2-19	QGF1205C2-23
CN710	-	QGF1205C2-7	QGF1205C2-17

Parts are safety assurance parts. When replacing those parts make sure to use the specified one.



■ Micon section (for DX-J35)



- NOTES**
- 1. VOLTAGES ARE DC-MEASURED WITH A DIGITAL VOLTMETER OR OSCILLOSCOPE WITHOUT INPUT SIGNAL. CONDITION - DVD STOP MODE
  - 2. UNLESS OTHERWISE SPECIFIED:  
 ALL RESISTORS ARE 1/16W ± 5% CARBON FILM RESISTOR OR 0.625W ± 5% THICK FILM CHIP RESISTOR  
 ALL CAPACITORS ARE CERAMIC CAPACITOR OR MYLAR CAPACITOR.  
 ALL RESISTANCE VALUES ARE IN OHM(Ω).  
 ALL CAPACITANCE VALUES ARE IN „P”(pF).  
 ALL CAPACITORS ARE SHOWN IN THE FORM OF CAPACITANCE (C) RATED VOLTAGE (V).  
 ALL INDUCTANCE VALUES ARE IN „H”(mH).  
 ALL FERRITE BEADS ARE QDR021-001Z.  
 NI = NON INSERT

**DIGITAL TRANSISTOR CONSTRUCTION**

SYMBOL	R1	R2	PART NO.
	4.7K	-	RT1N144C-X
	10K	47K	RT1N430C-X
	4.7K	-	RT1P430C-X
	10K	10K	RT1P141C-X

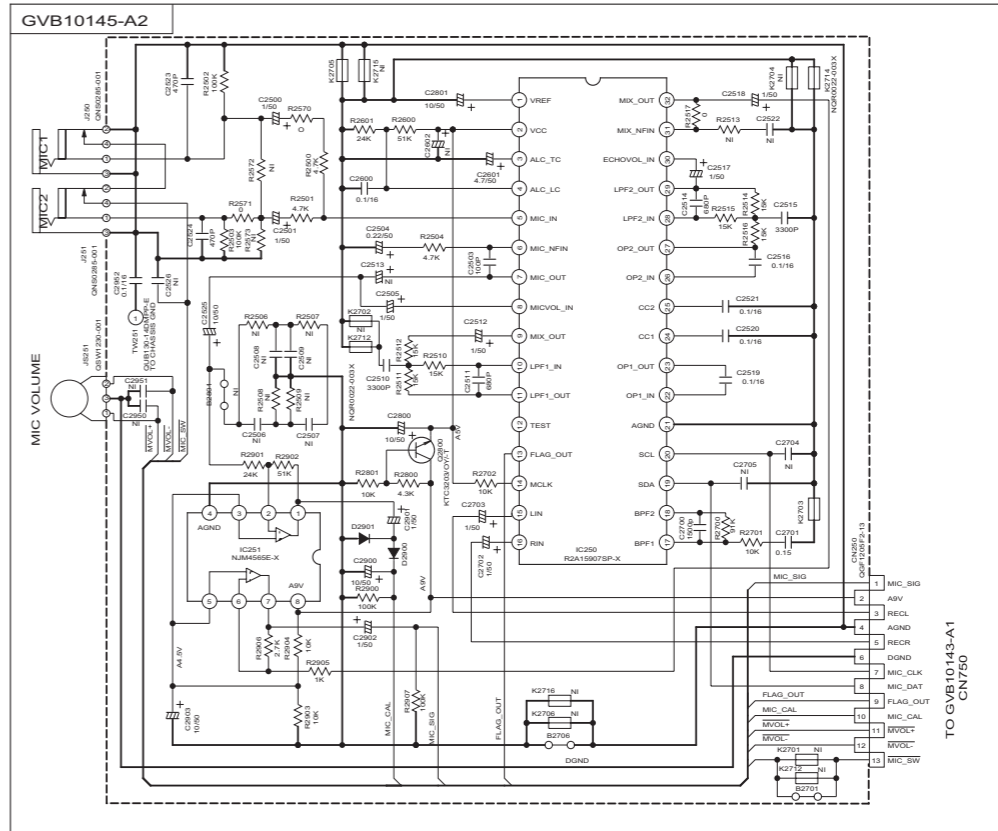
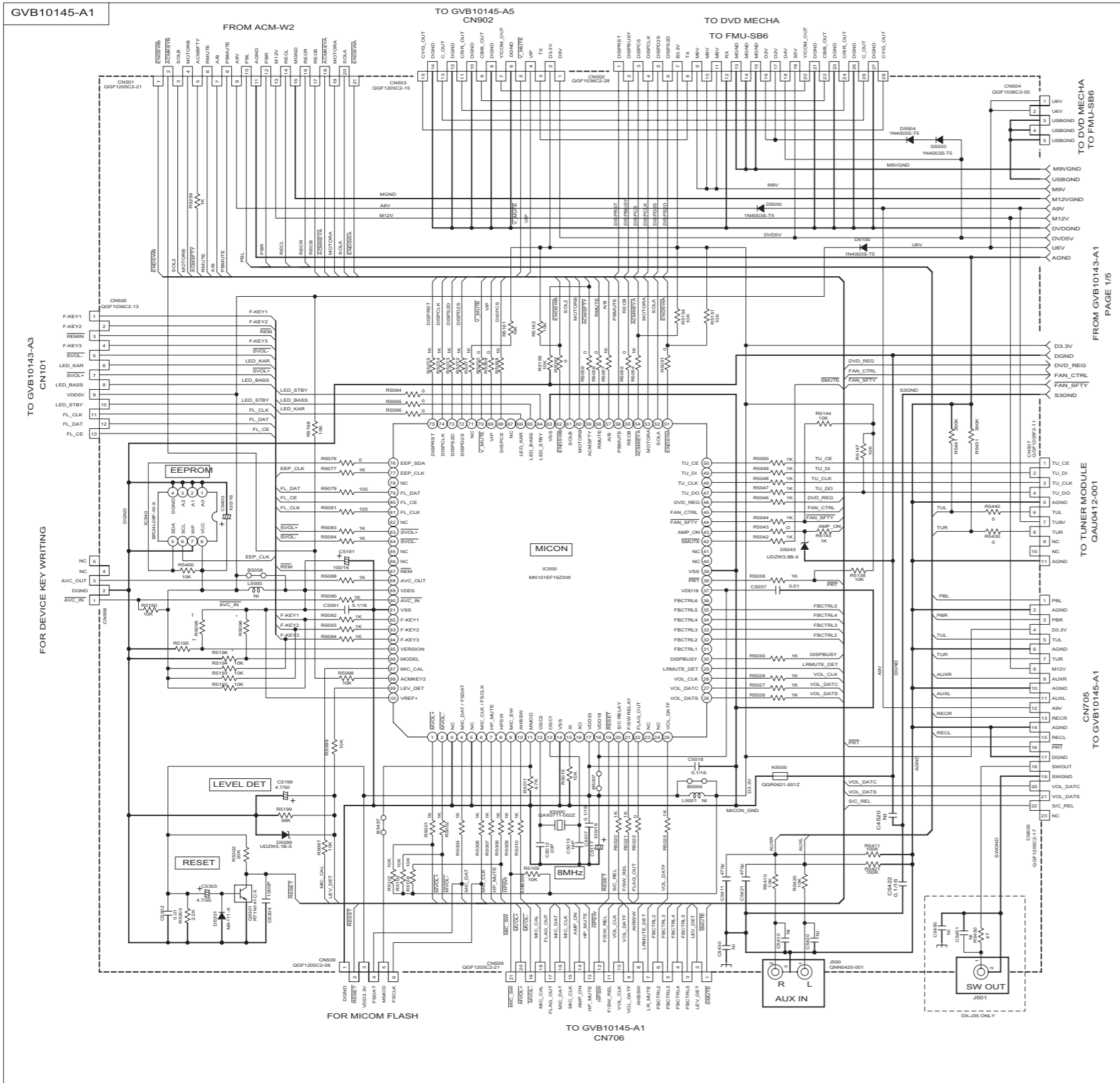
**\* MODEL INDICATION**

J10	J30	J35	J35
R5096	10K	10K	10K
R5196	NIL	NIL	30K

**\*\* VERSION INDICATION**

US/AN/LPH/A	10K	NIL
US/AN/LPH/A	10K	NIL
UK/W/UY	10K	18K
UK/X/G	10K	5.6K
EE	NIL	18K

■ Micon section (except DX-J35)



- NOTES
- VOLTAGES ARE DC-MEASURED WITH A DIGITAL VOLTMETER OR OSCILLOSCOPE WITHOUT INPUT SIGNAL. CONDITION - DVD STOP MODE.
  - UNLESS OTHERWISE SPECIFIED. ALL RESISTORS ARE 1/16W ±5% CARBON FILM RESISTOR OR 0.625W ±5% THICK FILM CHIP RESISTOR. ALL CAPACITORS ARE CERAMIC CAPACITOR OR NYLON CAPACITOR. ALL RESISTANCE VALUES ARE IN OHM(Ω). ALL CAPACITANCE VALUES ARE IN pF(pF) OR nF(nF). ALL CAPACITORS ARE SHOWN IN THE FORM OF CAPACITANCE/(RATED VOLTAGE (V)). ALL INDUCTANCE VALUES ARE IN μH(μH). ALL FERRITE BEADS ARE QGR0621-0012. NI = NON INSERT.

DIGITAL TRANSISTOR CONSTRUCTION

SYMBOL	R1	R2	PART NO.
	4.7K	-	RT1N144C-X
	10K	47K	RT1N430C-X
	4.7K	-	RT1P430C-X
	10K	10K	RT1P141C-X

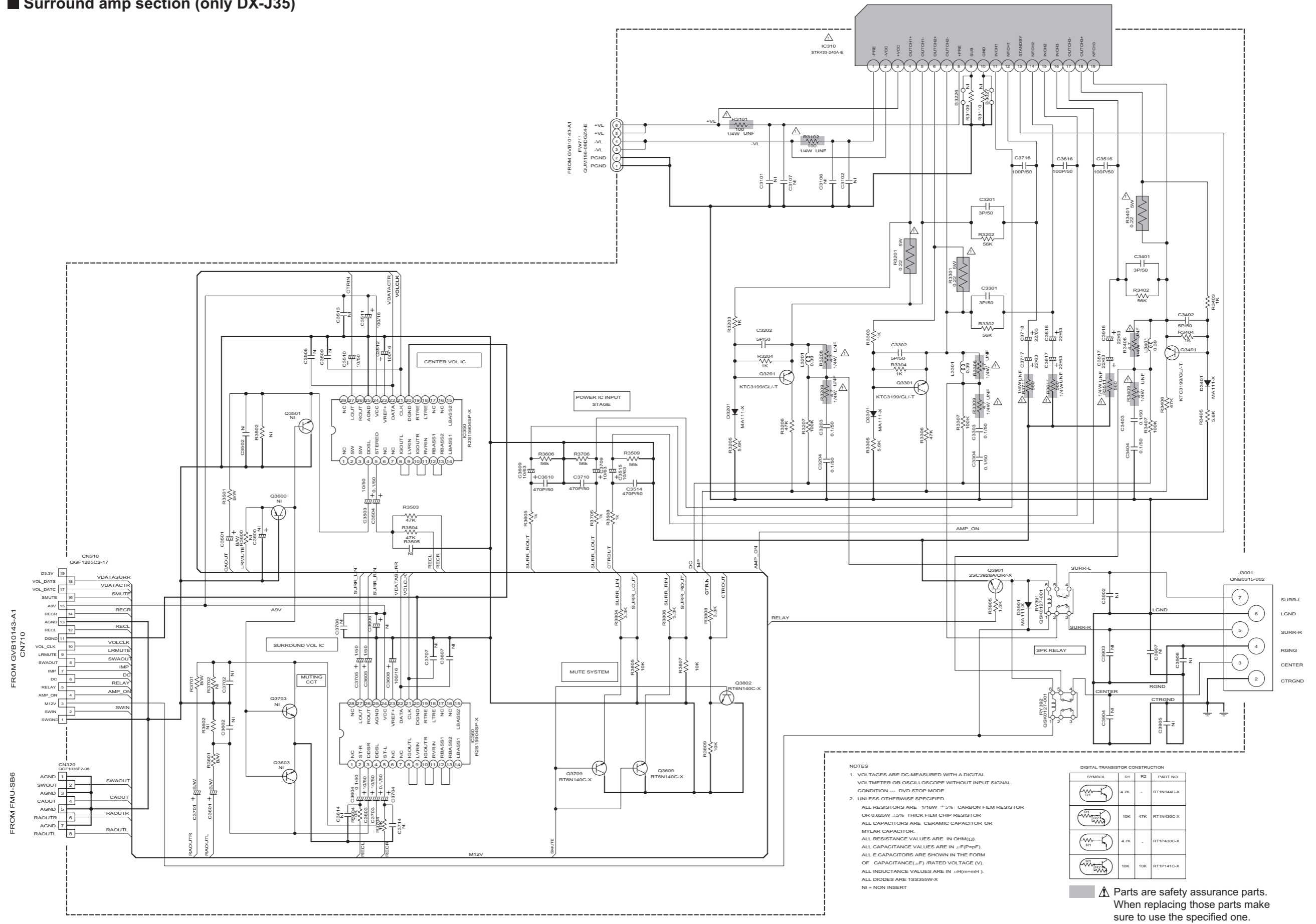
\* MODEL INDICATION

J10	J20	J30	J35
R5096	10K	10K	10K
R5198	NIL	NIL	30K 15K

\*\* VERSION INDICATION

R6095	R5195
UB50N100A	10K
LV45L1	10K
LV45L2	10K 5.6K
EE	NIL 10K

■ Surround amp section (only DX-J35)



NOTES

- VOLTAGES ARE DC-MEASURED WITH A DIGITAL VOLTMETER OR OSCILLOSCOPE WITHOUT INPUT SIGNAL. CONDITION --- DVD STOP MODE
- UNLESS OTHERWISE SPECIFIED.

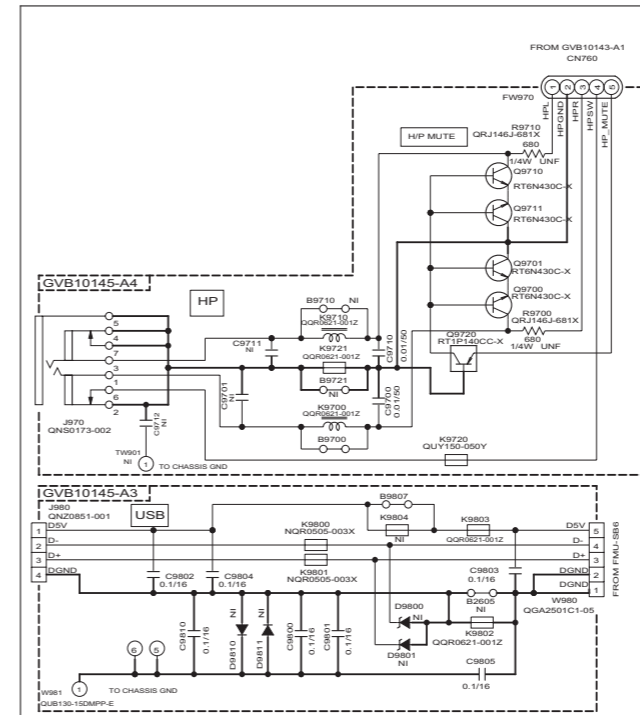
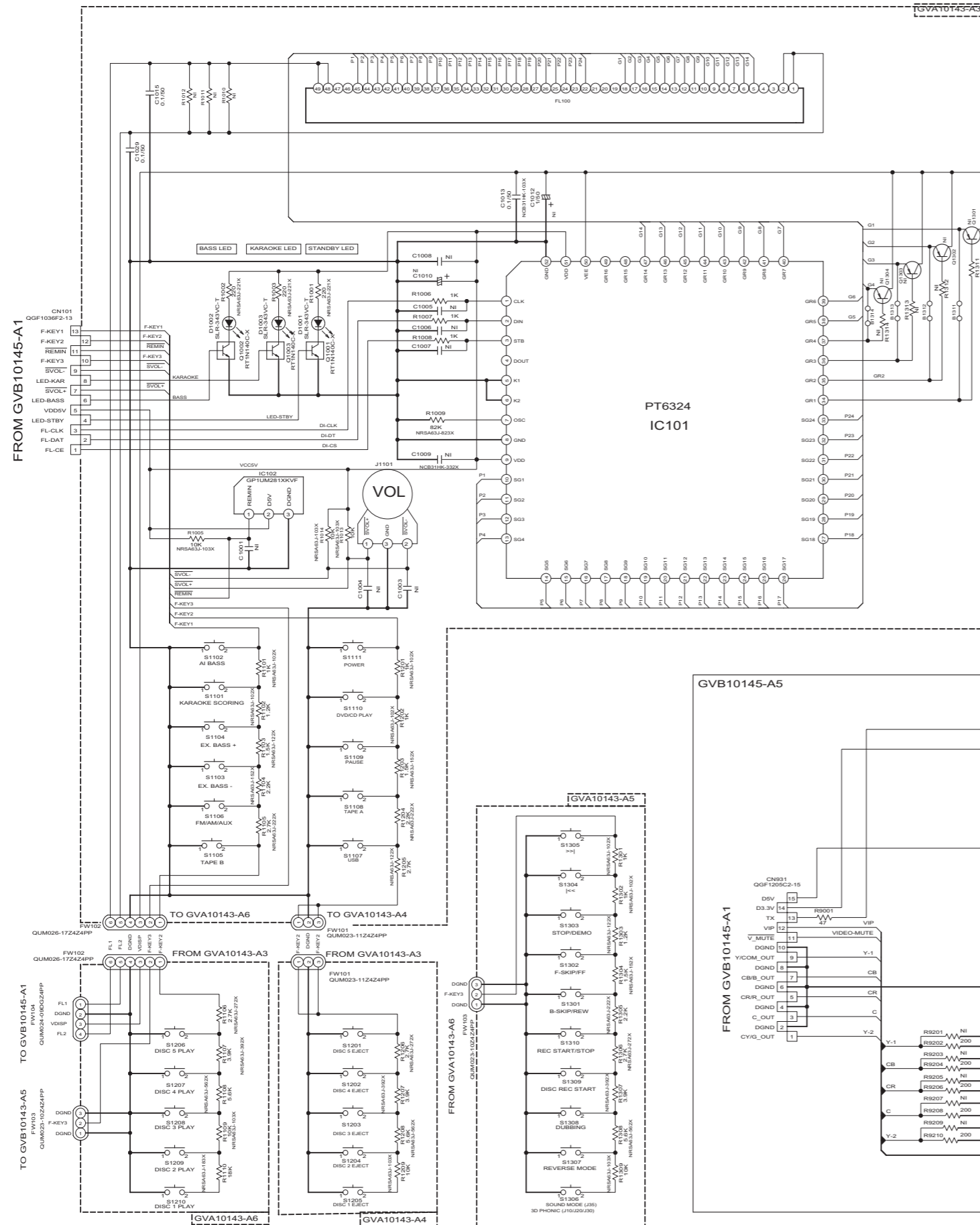
ALL RESISTORS ARE 1/16W ±5% CARBON FILM RESISTOR OR 0.625W ±5% THICK FILM CHIP RESISTOR  
 ALL CAPACITORS ARE CERAMIC CAPACITOR OR MYLAR CAPACITOR.  
 ALL RESISTANCE VALUES ARE IN OHM(Ω).  
 ALL CAPACITANCE VALUES ARE IN μF(P=pF).  
 ALL E-CAPACITORS ARE SHOWN IN THE FORM OF CAPACITANCE(μF)/RATED VOLTAGE (V).  
 ALL INDUCTANCE VALUES ARE IN μH(m=mH).  
 ALL DIODES ARE 1SS355W-X  
 NI = NON INSERT

DIGITAL TRANSISTOR CONSTRUCTION

SYMBOL	R1	R2	PART NO.
	4.7K	-	RT1N144C-X
	10K	47K	RT1N430C-X
	4.7K	-	RT1P430C-X
	10K	10K	RT1P141C-X

▲ Parts are safety assurance parts. When replacing those parts make sure to use the specified one.

■ Front section

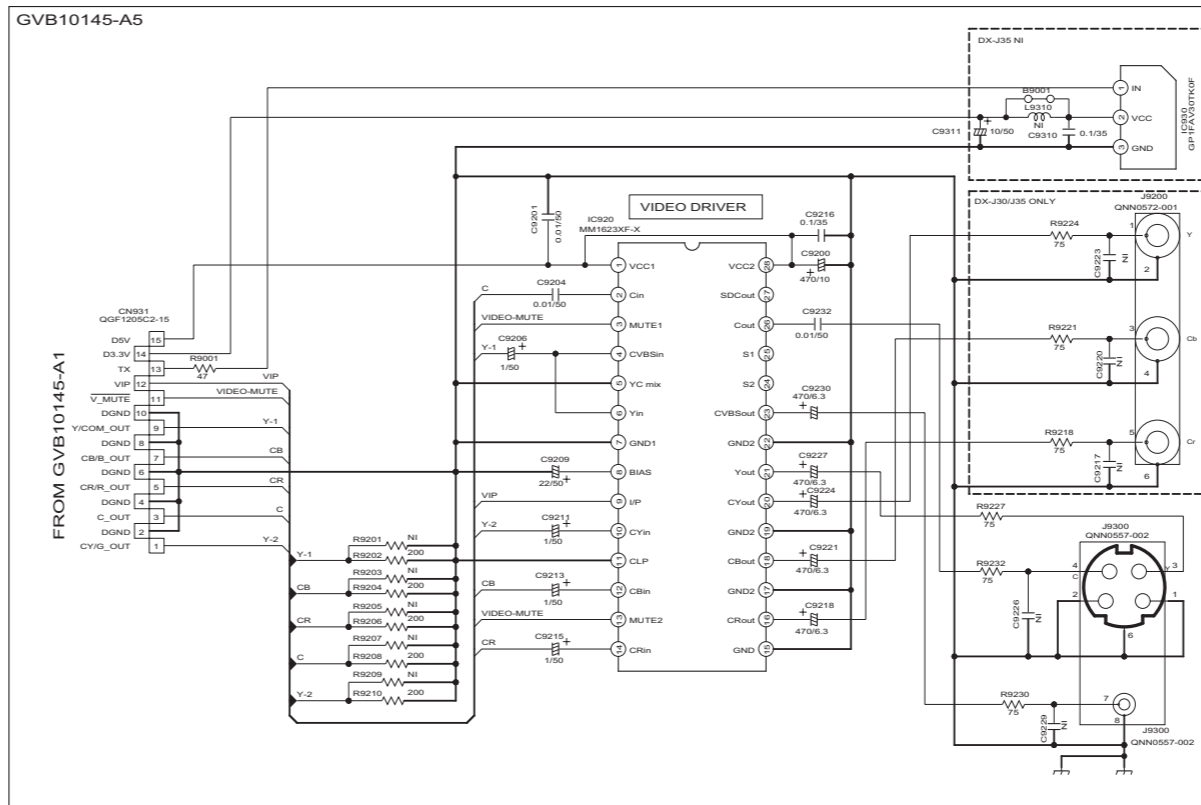


DIGITAL TRANSISTOR CONSTRUCTION

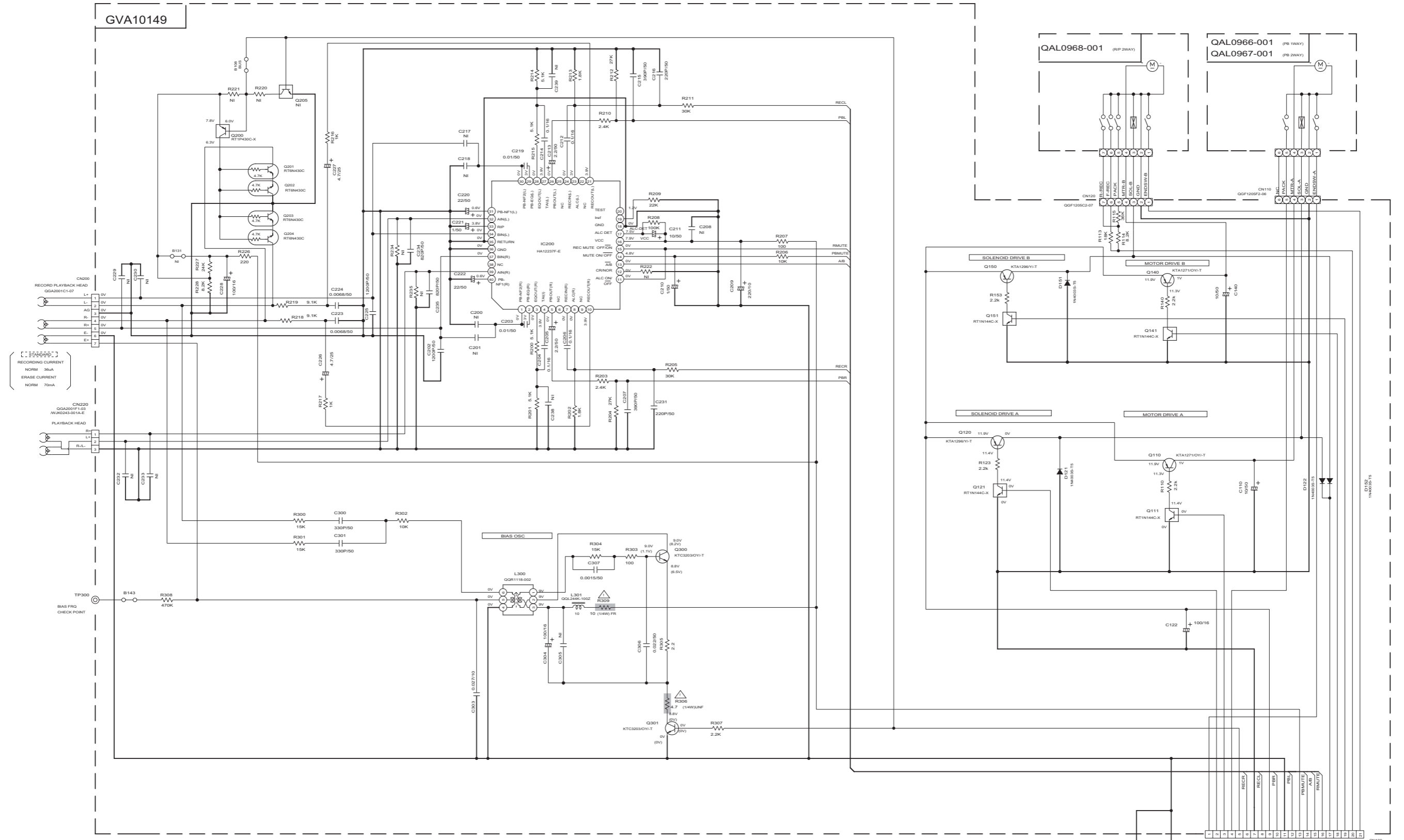
SYMBOL	R1	R2	PART NO.	MODEL	J10/J20	J30	J35
	4.7K	-	RT1N144C-X	C9218	NI	INSERT	INSERT
	10K	47K	RT1N430C-X	C9221	NI	INSERT	INSERT
	4.7K	-	RT1P430C-X	C9204	NI	INSERT	INSERT
	10K	10K	RT1P41C-X	R9206	NI	INSERT	INSERT

NOTES

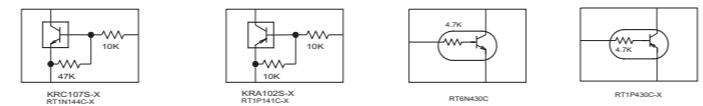
- VOLTAGES ARE DC-MEASURED WITH A DIGITAL VOLT METER OR OSCILLOSCOPE WITHOUT INPUT SIGNAL. CONDITION — DVD STOP MODE.
- UNLESS OTHERWISE SPECIFIED, ALL RESISTANCE VALUES ARE IN OHM(Ω). ALL CAPACITANCE VALUES ARE IN μF(μF). ALL E-CAPACITORS ARE SHOWN IN THE FORM OF CAPACITANCE(μF) RATED VOLTAGE (V). ALL INDUCTANCE VALUES ARE IN μH(mH). ALL DIODES ARE MA111-X. NI = NON INSERT.



■ Cassette section

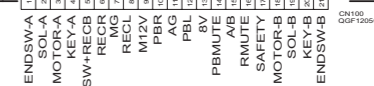


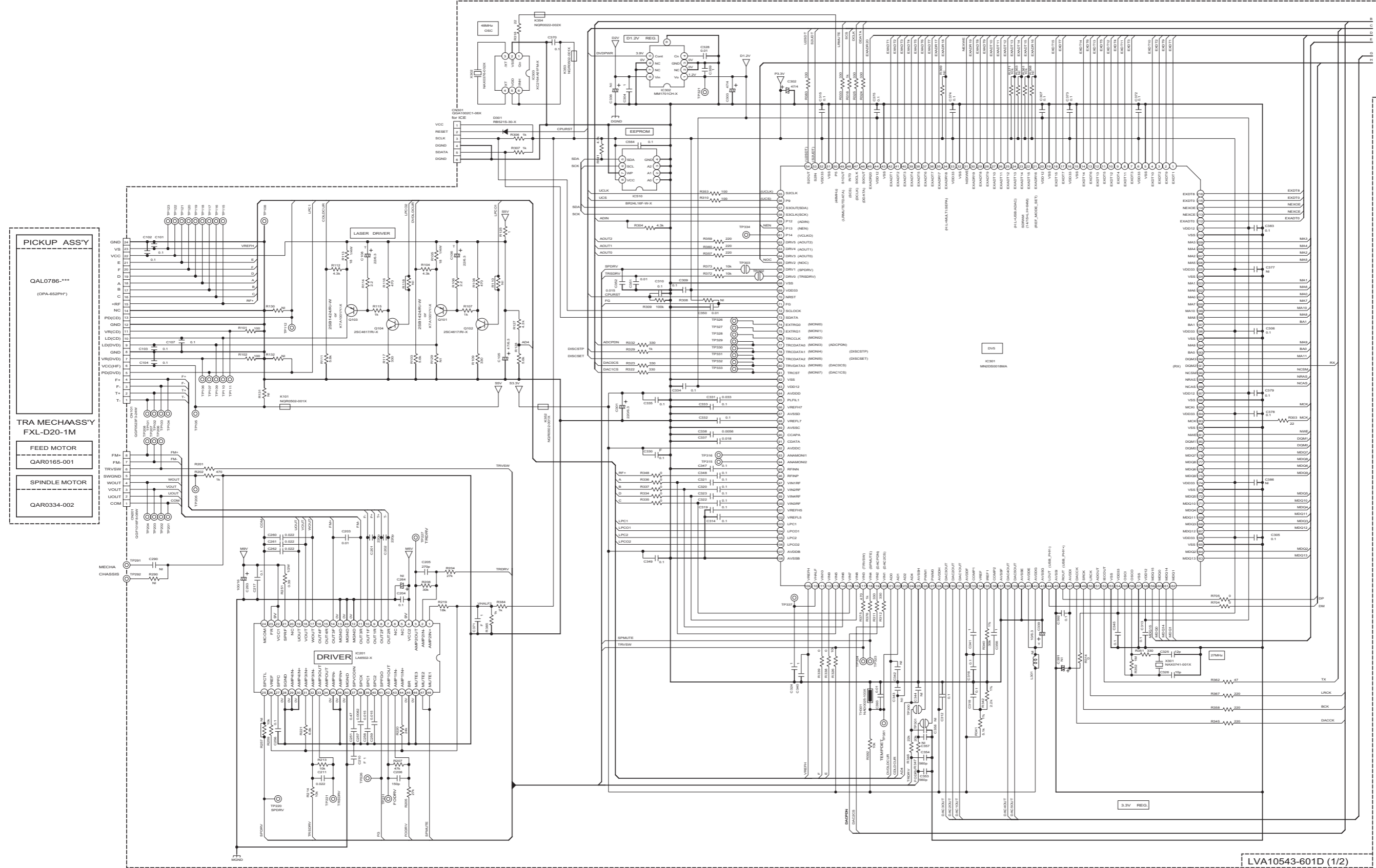
- NOTES
- VOLTAGES ARE DC-MEASURED WITH A DIGITAL VOLT METER OR OSCILLOSCOPE WITHOUT INPUT SIGNAL. CONDITION : MECHA STOP MODE
  - UNLESS OTHERWISE SPECIFIED, RESISTORS ARE 1/10W ±5% METAL GLAZE RESISTOR. ALL RESISTANCE VALUES ARE IN OHM(O). ALL CAPACITORS ARE CERAMIC CAPACITOR OR MYLAR CAPACITOR. ALL CAPACITANCE VALUES ARE IN μF(F)(pF). ALL INDUCTANCE VALUES ARE IN μH(mmh). ALL E CAPACITORS ARE SHOWN IN THE FORM OF CAPACITANCE (μF/RATED VOLTAGE (V)). POLYPROPYLENE CAPACITOR



⚠ Parts are safety assurance parts. When replacing those parts make sure to use the specified one.

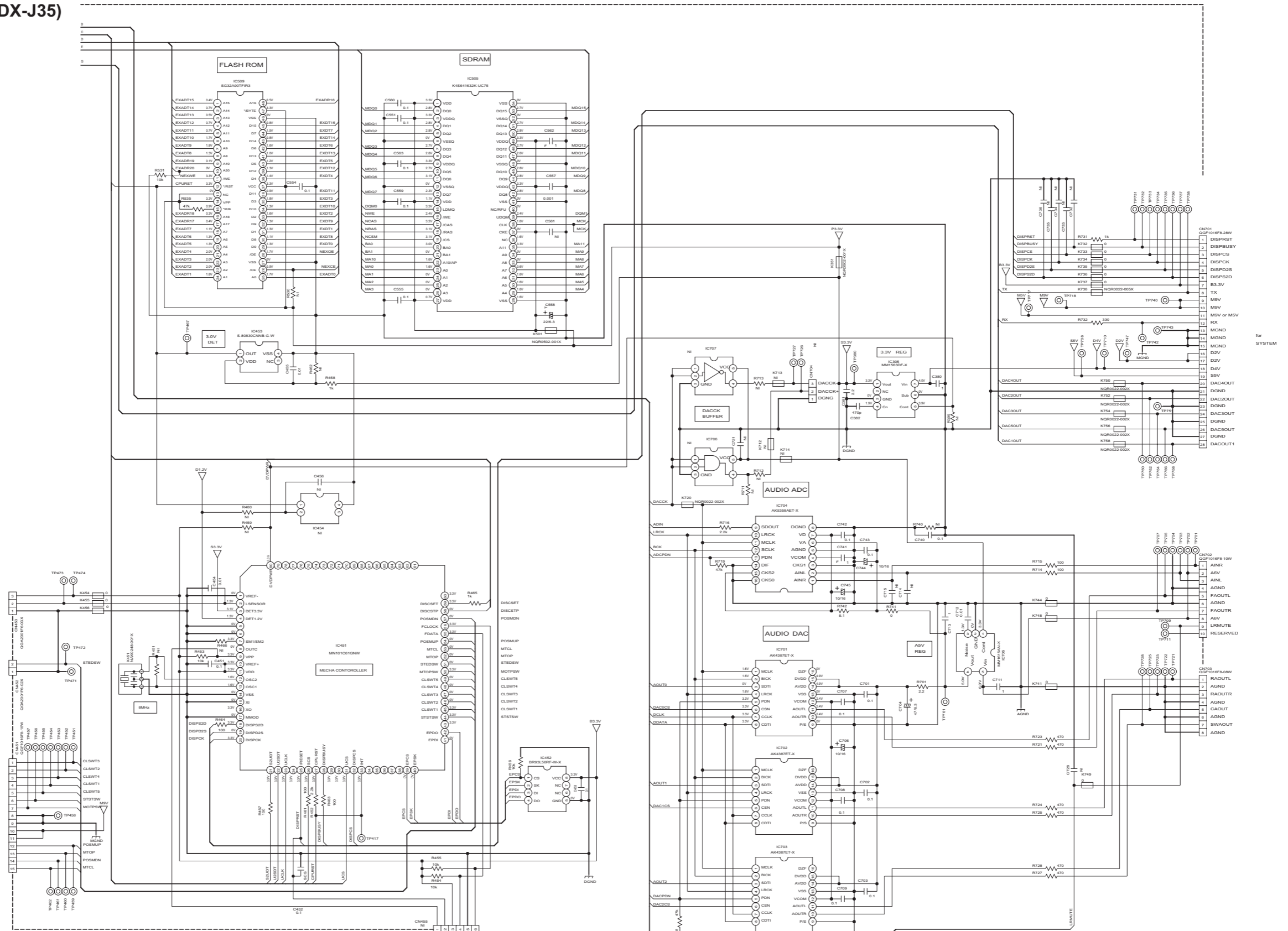
CONNECT TO CHASSIS OF MECHA A & B





LVA10543-601D (1/2)

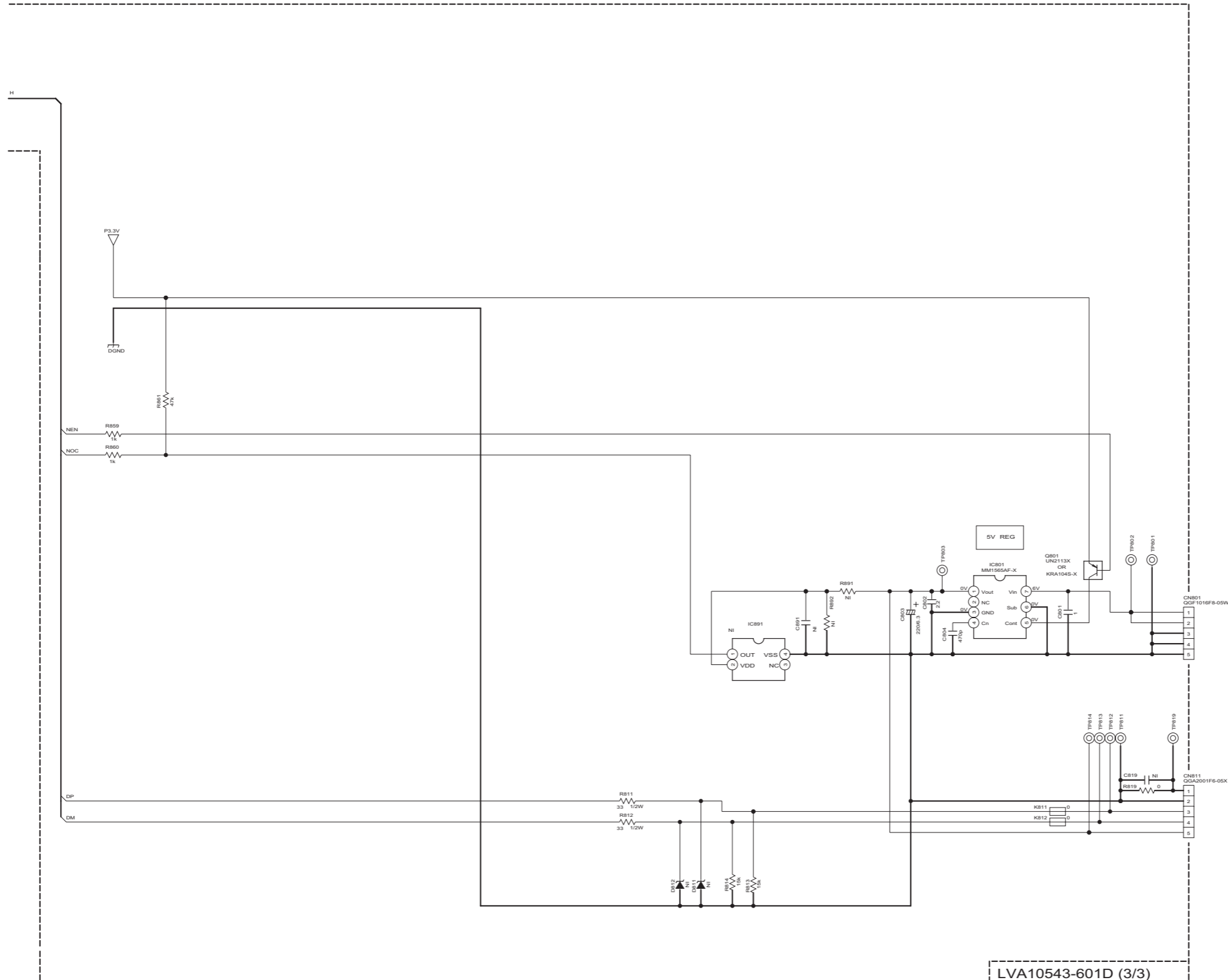
■ DVD section 2/3 (for DX-J35)



LOADER ASSY  
CH5-BASE-1

See  
LVS20135-002A

- NOTES**
- VOLTAGES ARE DC-MEASURED WITH A DIGITAL VOLT METER WITHOUT INPUT SIGNAL.  
CONDITION — A DVD disc in the Tray 1, and STOP mode.
  - UNLESS OTHERWISE SPECIFIED:  
ALL RESISTORS ARE 1% 0.5% METAL GLAZE RESISTOR, OR 0.5% METAL GLAZE RESISTOR.  
ALL CAPACITORS ARE .50V, .25V, .16V, .10V or 6.3V CERAMIC CAPACITOR.  
ALL RESISTANCE VALUES ARE IN OHM(Ω).  
ALL CAPACITANCE VALUES ARE IN pF(pf).  
ALL E-CAPACITORS ARE SHOWN IN THE FORM OF CAPACITANCE(μF) RATED VOLTAGE (V).  
ALL INDUCTANCE VALUES ARE IN μH(μmH).
  - NI STANDS FOR NOT INSERTED PARTS.



LVA10543-601D (3/3)

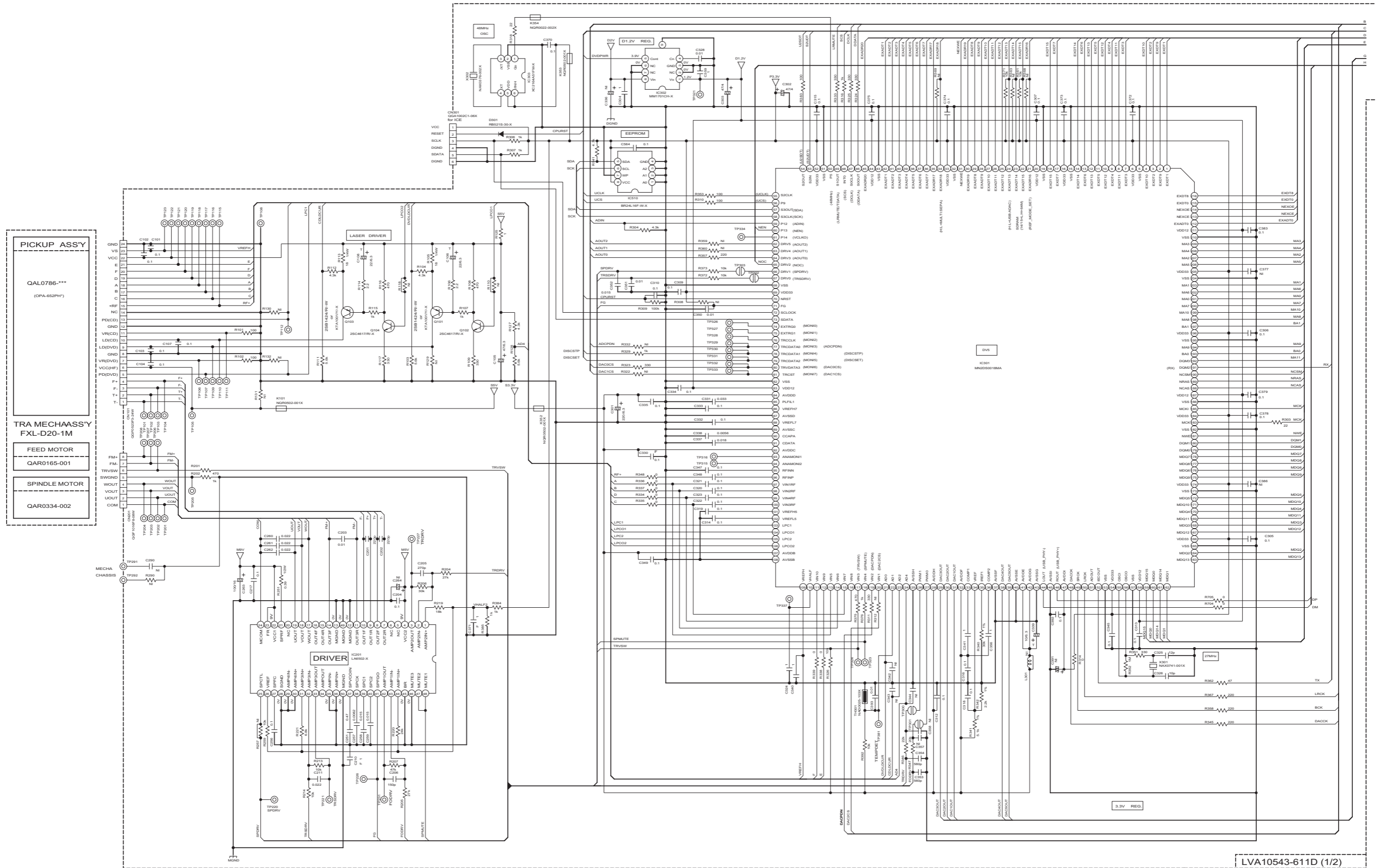
NOTES

1. VOLTAGES ARE DC-MEASURED WITH A DIGITAL VOLT METER WITHOUT INPUT SIGNAL. CONDITION --- A DVD disc in the Tray 1, and STOP mode.
2. UNLESS OTHERWISE SPECIFIED.  
 ALL RESISTORS ARE 1/16W ±5% METAL GLAZE RESISTOR. OR 0.5% METAL GLAZE RESISTOR.  
 ALL CAPACITORS ARE 50V, 25V, 16V, 10V or 6.3V CERAMIC CAPACITOR.  
 ALL RESISTANCE VALUES ARE IN OHM(Ω).  
 ALL CAPACITANCE VALUES ARE IN μF(p-pF).  
 ALL E.CAPACITORS ARE SHOWN IN THE FORM OF CAPACITANCE(μF)/RATED VOLTAGE (V).  
 ALL INDUCTANCE VALUES ARE IN μH(m-mH).
3. NI STANDS FOR NOT INSERTED PARTS.
4. DIGITAL TRANSISTOR





■ DVD section 1/3 (except DX-J35)

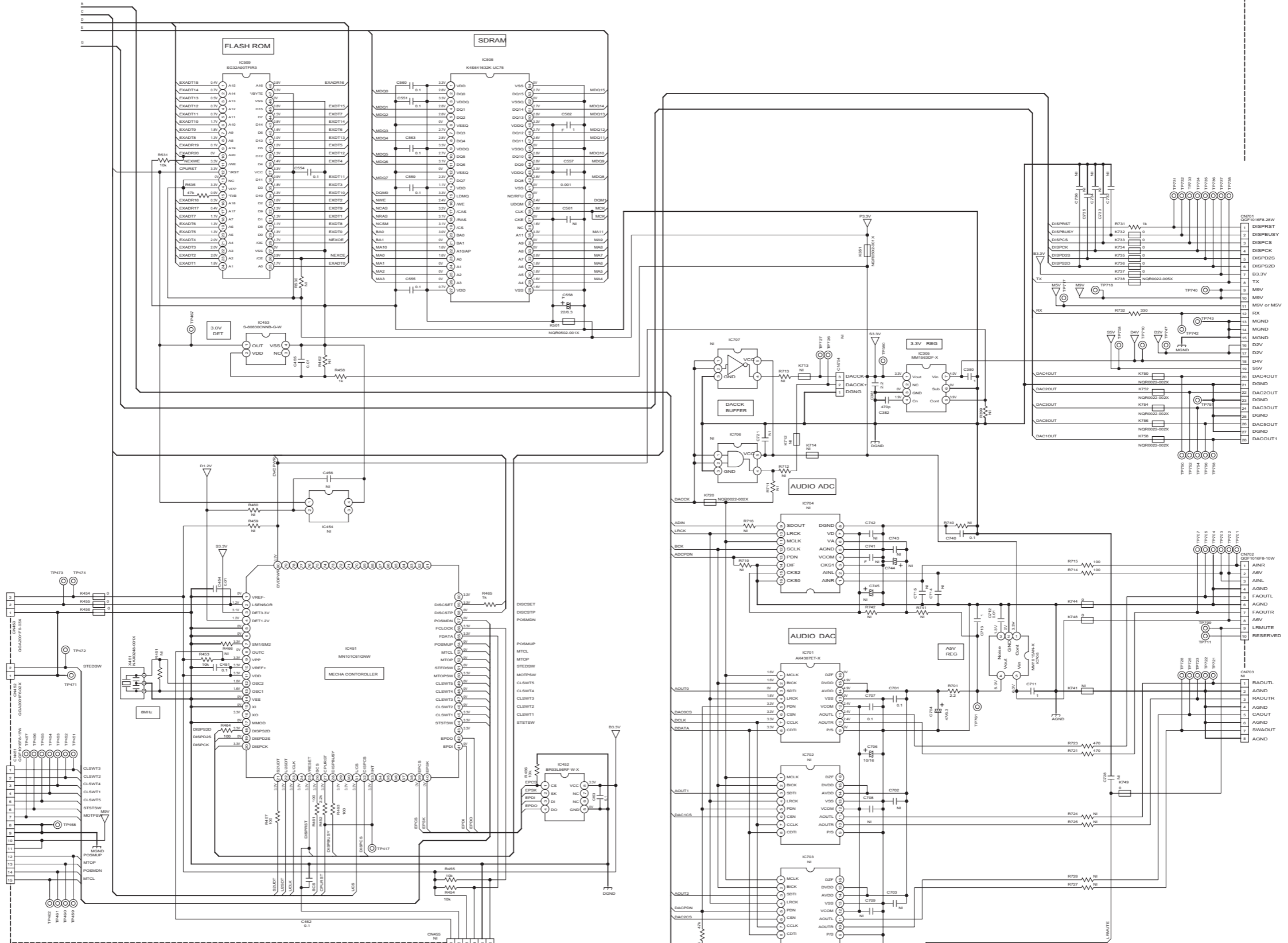


LVA10543-611D (1/2)

■ DVD section 2/3 (except DX-J35)

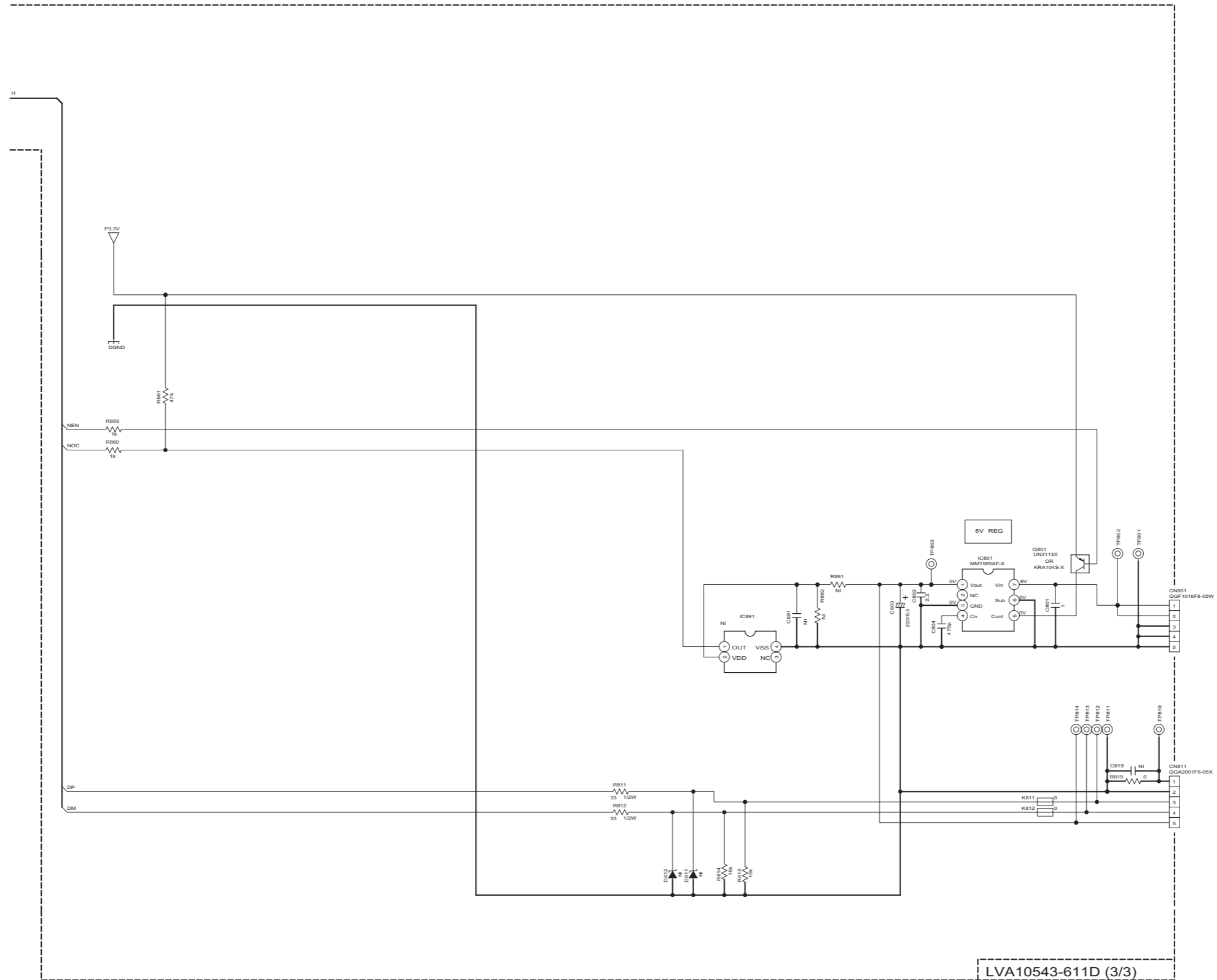
LOADER ASS'Y  
CH5-BASE-1

See  
LVS20135-002A



- NOTES
1. VOLTAGES ARE DC-MEASURED WITH A DIGITAL VOLT METER WITHOUT INPUT SIGNAL. CONDITION --- A DVD disc in the Tray 1, and STOP mode.
  2. UNLESS OTHERWISE SPECIFIED. ALL RESISTORS ARE 1/16W ±5% METAL GLAZE RESISTOR. OR 0.5% METAL GLAZE RESISTOR. ALL CAPACITORS ARE 50V, 25V, 16V, 10V or 6.3V CERAMIC CAPACITOR. ALL RESISTANCE VALUES ARE IN OHM (Ω). ALL CAPACITANCE VALUES ARE IN pF(p-pF). ALL E-CAPACITORS ARE SHOWN IN THE FORM OF CAPACITANCE(μF)/RATED VOLTAGE (V). ALL INDUCTANCE VALUES ARE IN μH(μμH).
  3. NI STANDS FOR NOT INSERTED PARTS.

■ DVD section 3/3 (except DX-J35)



LVA10543-611D (3/3)

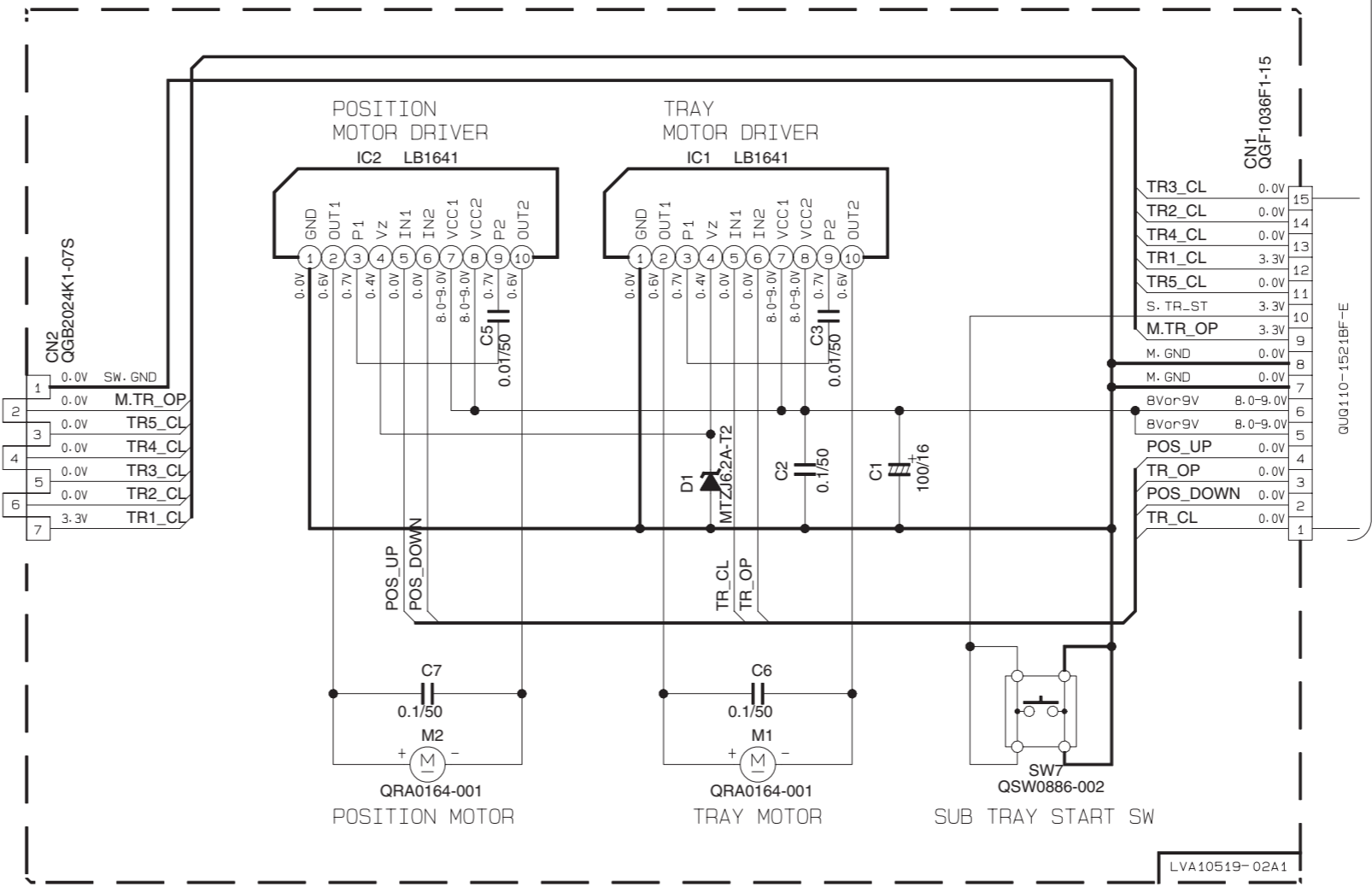
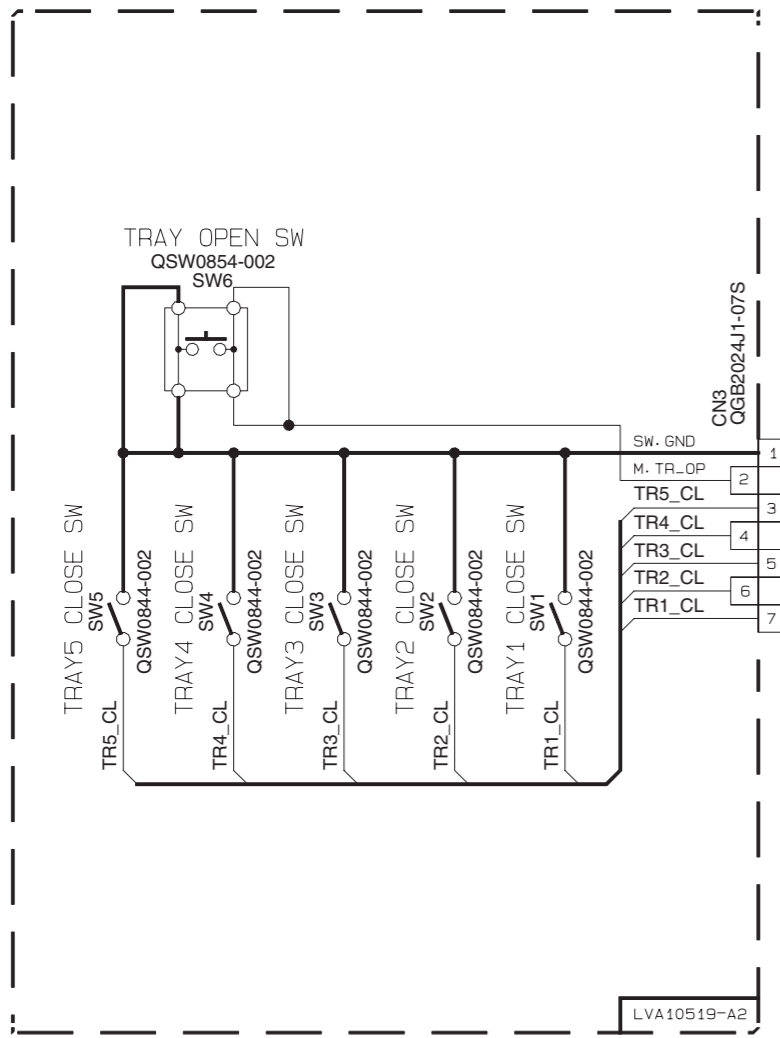
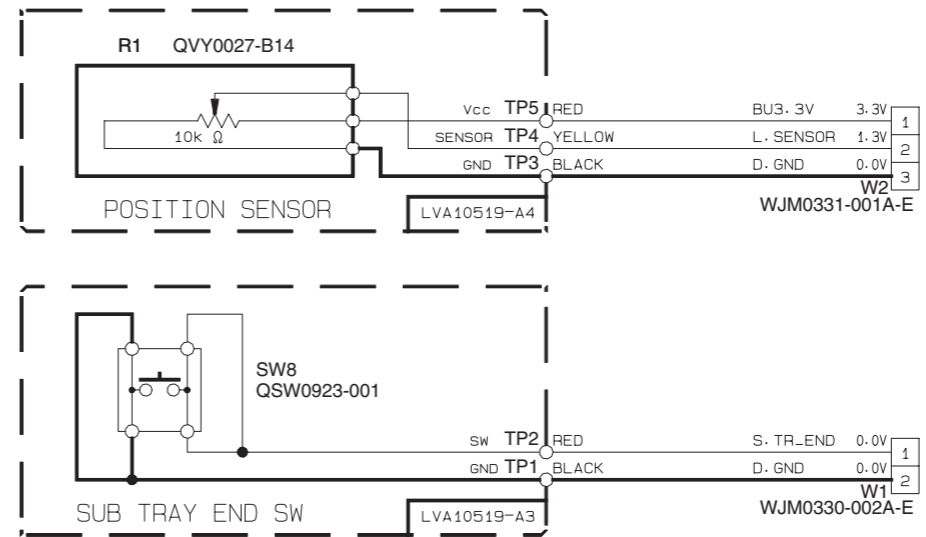
NOTES

1. VOLTAGES ARE DC-MEASURED WITH A DIGITAL VOLT METER WITHOUT INPUT SIGNAL. CONDITION — A DVD disc in the Tray 1, and STOP mode.
2. UNLESS OTHERWISE SPECIFIED.  
ALL RESISTORS ARE 1/16W ±5% METAL GLAZE RESISTOR, OR 0.5% METAL GLAZE RESISTOR.  
ALL CAPACITORS ARE 50V, .25V, .16V, .10V or 6.3V CERAMIC CAPACITOR.  
ALL RESISTANCE VALUES ARE IN OHM(Ω).  
ALL CAPACITANCE VALUES ARE IN pF(p-pF).  
ALL ELECTROLYTIC CAPACITORS ARE SHOWN IN THE FORM OF CAPACITANCE(μF) / RATED VOLTAGE (V).  
ALL INDUCTANCE VALUES ARE IN μH(m-mH).

3. NI STANDS FOR NOT INSERTED PARTS.



■ Loader section

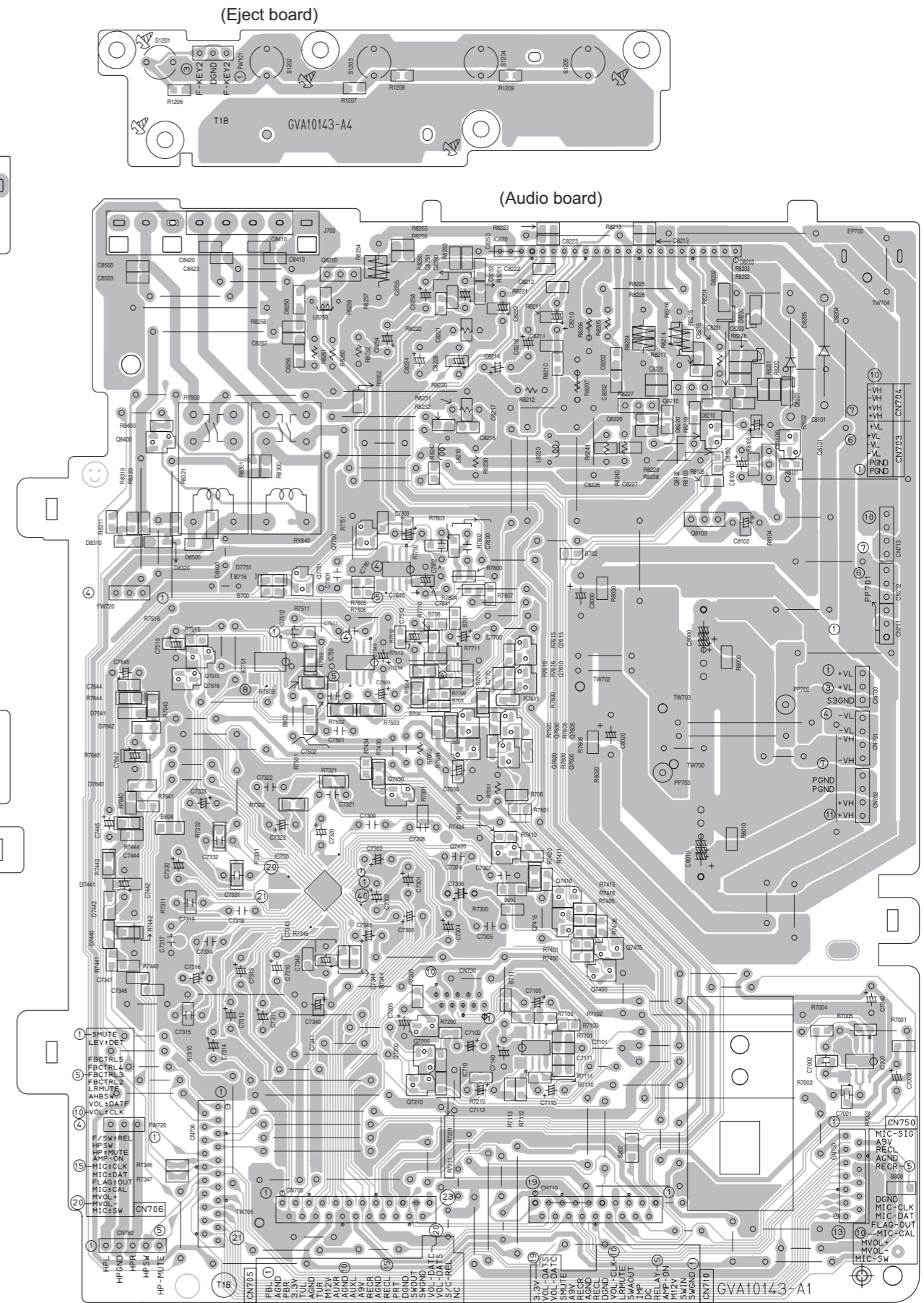
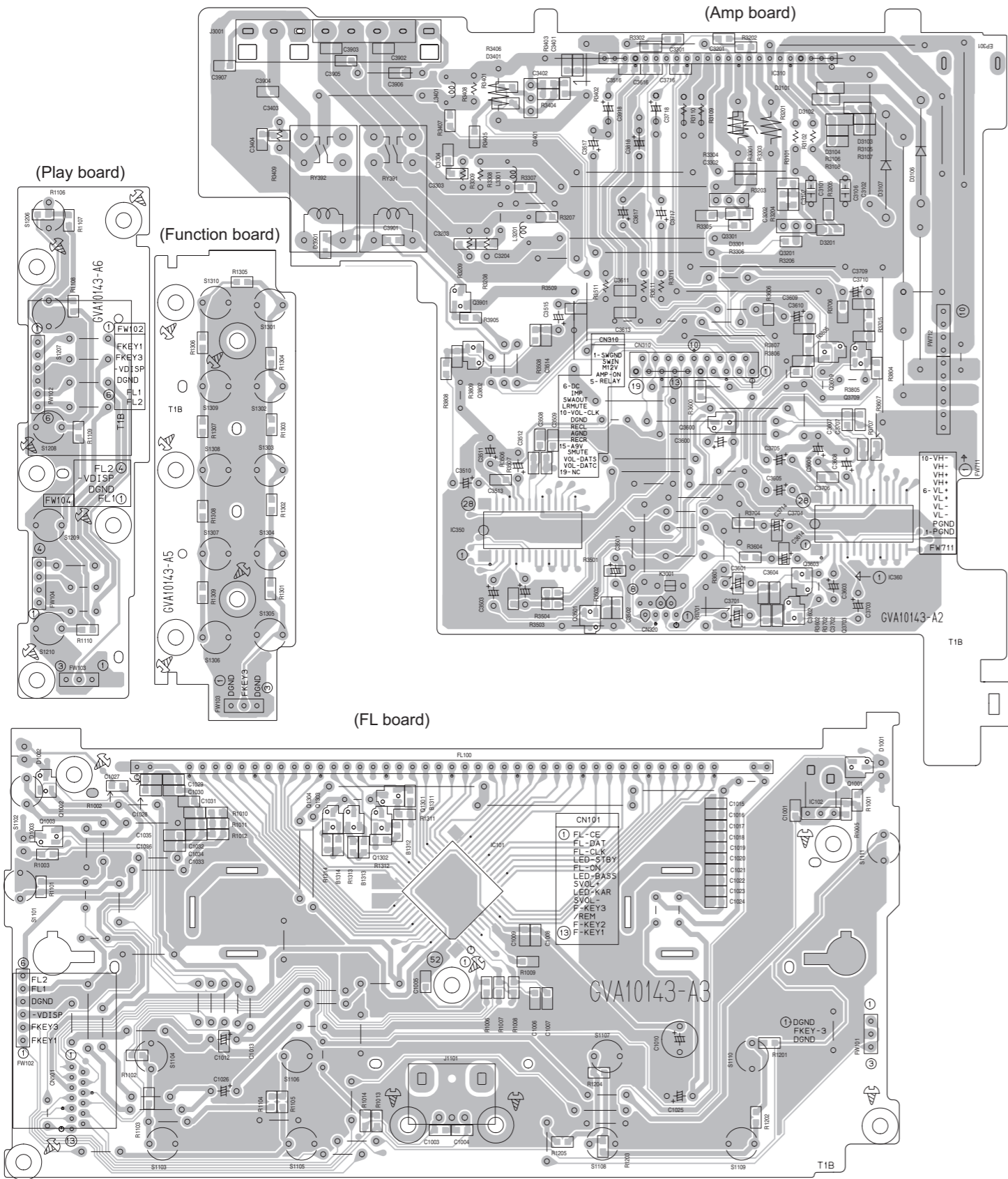


NOTES

1. VOLTAGES ARE DC-MEASURED WITH A DIGITAL VOLT METER. CONDITION: DISC1 STOP
2. UNLESS OTHERWISE SPECIFIED. ALL CAPACITORS ARE SHOWN IN THE FORM OF CAPACITANCE (μF)/RATED VOLTAGE (V).
3. NI STANDS FOR NOT INSERTED PARTS.

# Printed circuit boards

- Amp board Lead free solder used in the board (material : Sn-Ag-Cu, melting point : 219 Centigrade)
- Lead free solder used in the board (material : Sn-Cu, melting point : 230 Centigrade)



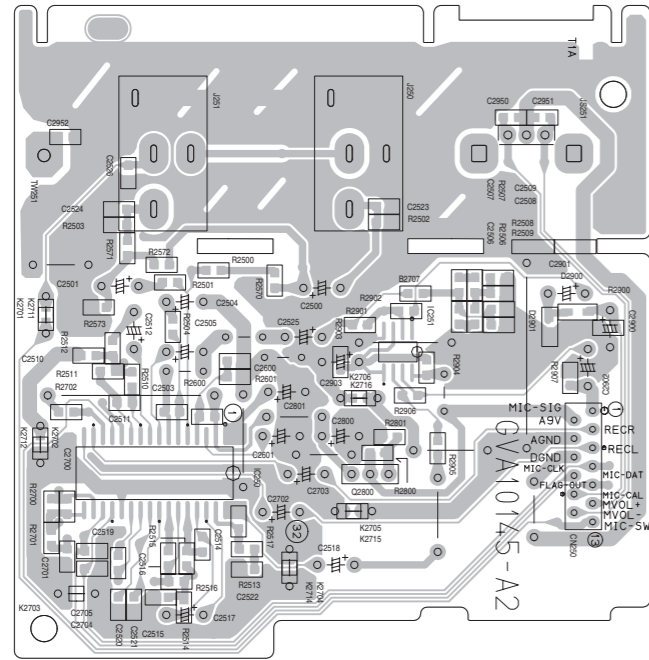
**■ Micon board**

Lead free solder used in the board (material : Sn-Ag-Cu, melting point : 219 Centigrade)

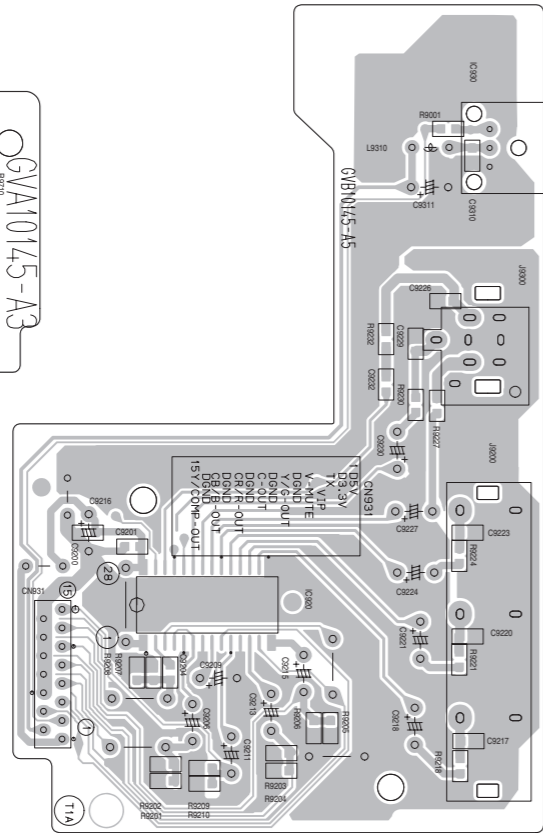
Lead free solder used in the board (material : Sn-Cu, melting point : 230 Centigrade)

(Micon board)

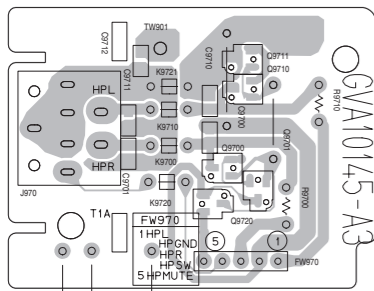
(MIC board)



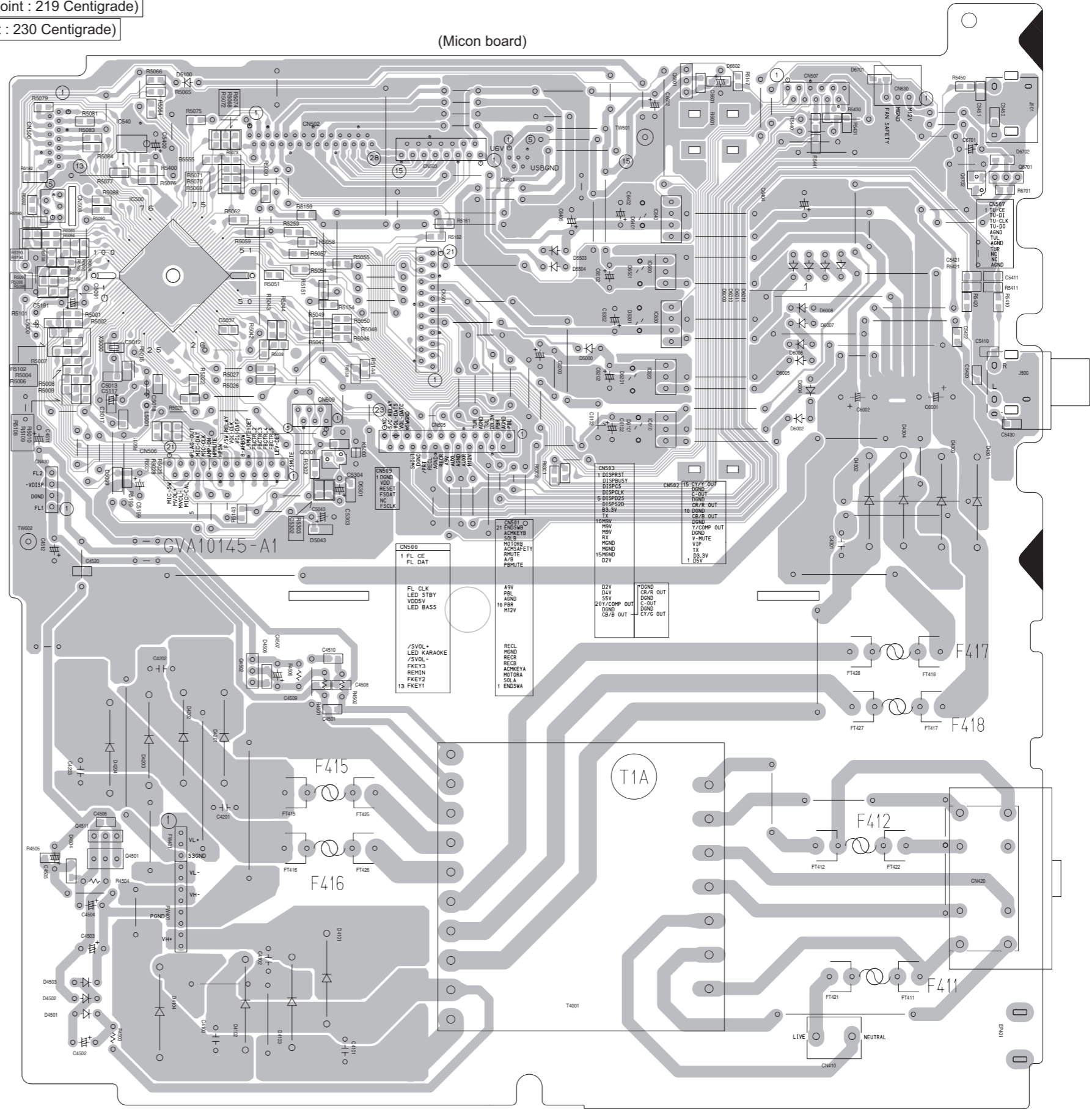
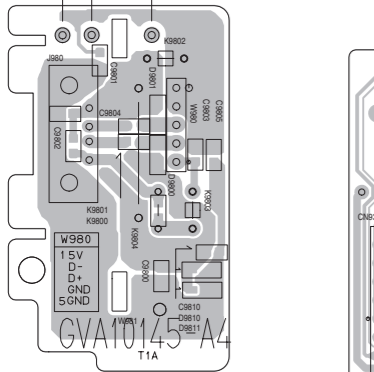
(Video board)



(HP board)



(USB board)

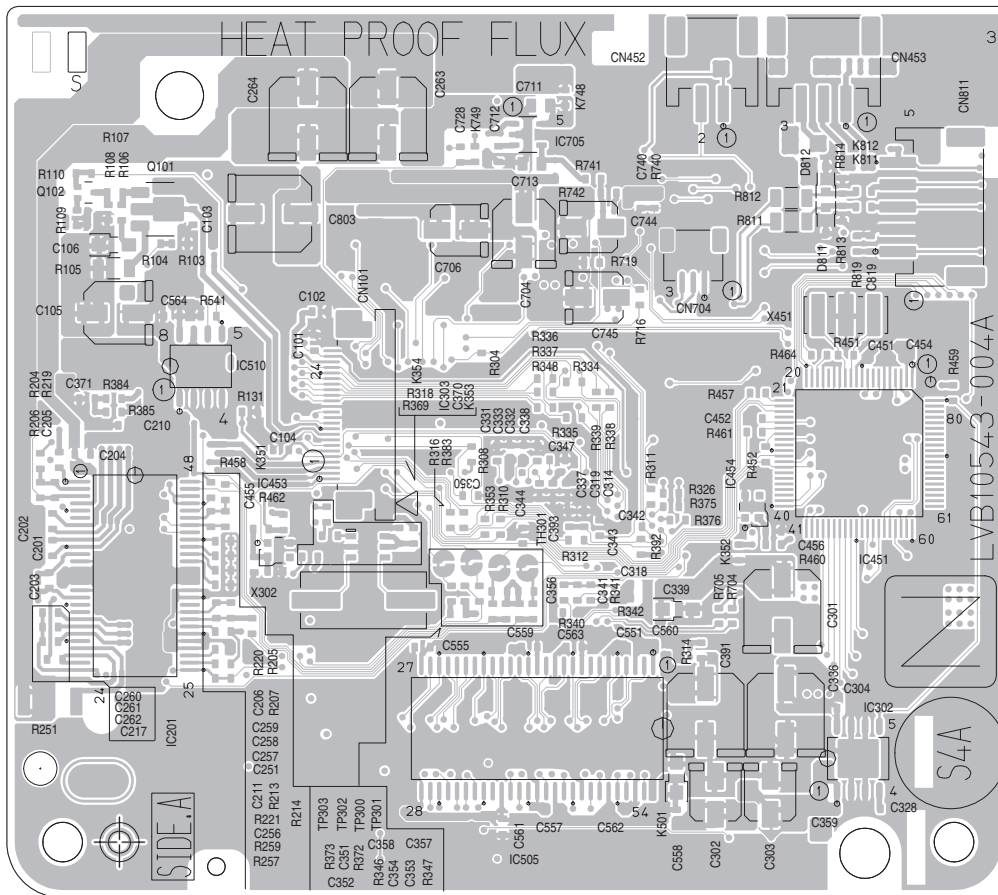


**DVD board**

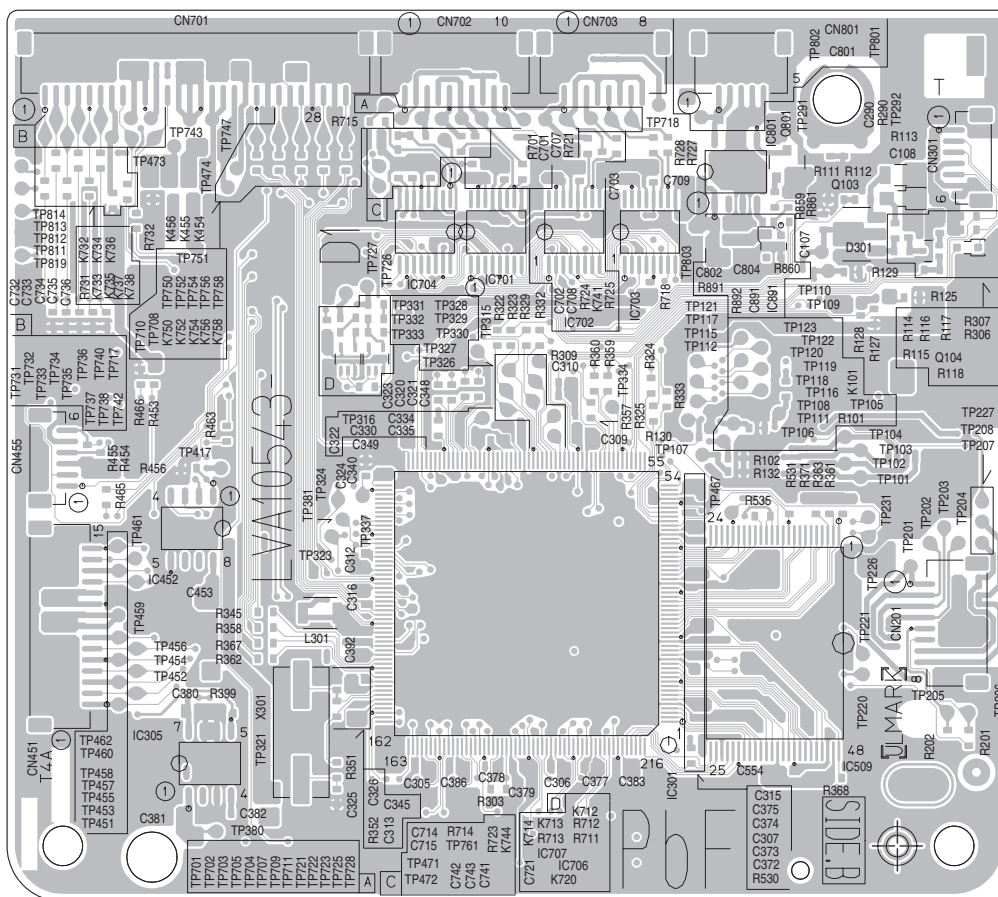
Lead free solder used in the board (material : Sn-Ag-Cu, melting point : 219 Centigrade)

Lead free solder used in the board (material : Sn-Cu, melting point : 230 Centigrade)

forward side



reverse side







< MEMO >

**JVC**

Victor Company of Japan, Limited

Audio/Video Systems Category 10-1,1chome,Ohwatari-machi,Maebashi-city,371-8543,Japan

(No.MB620SCH)



Printed in Japan  
VPT

# PARTS LIST

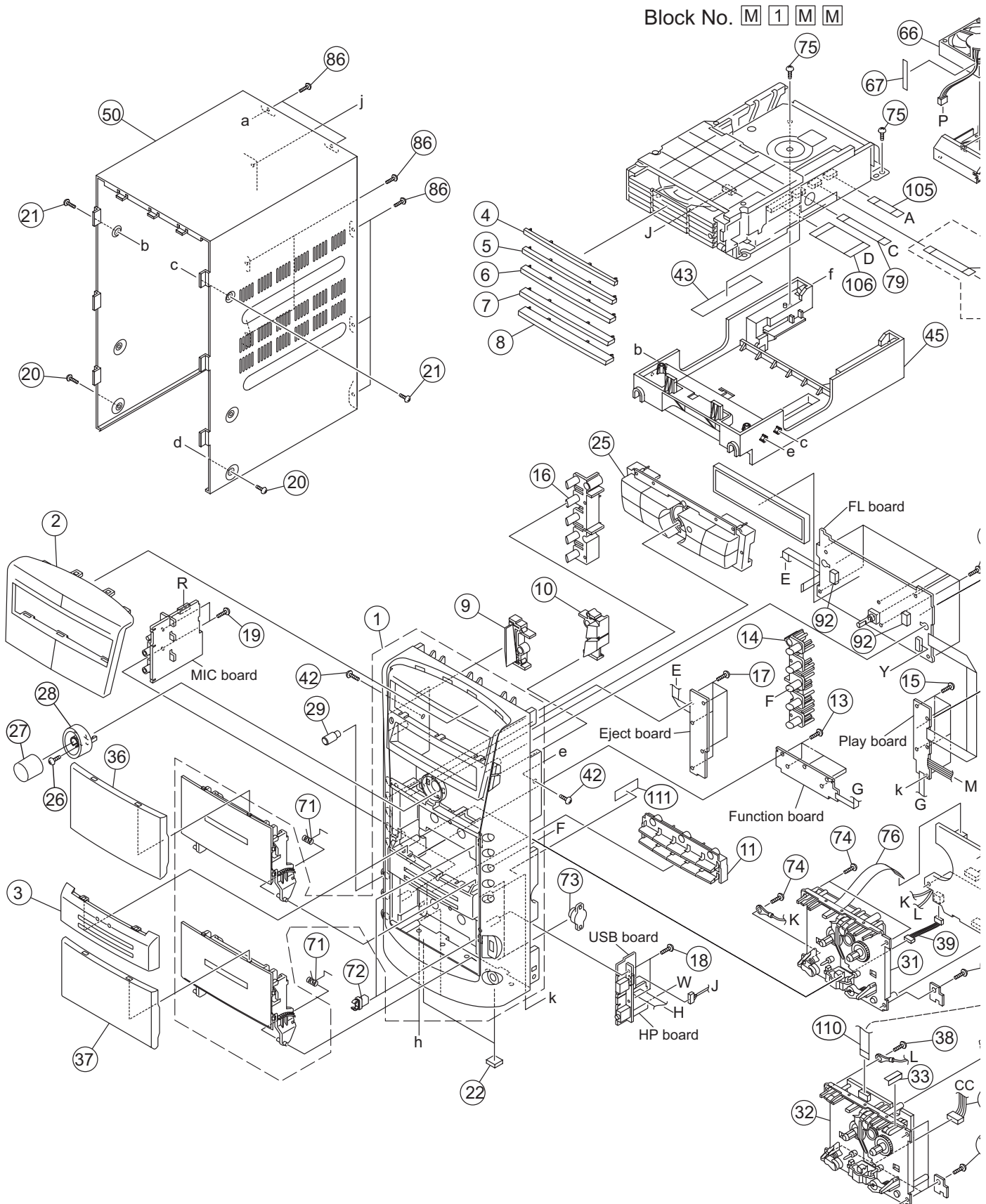
DX-J35EE,DX-J35UX,DX-J35UG  
DX-J35UN,DX-J20EE,DX-J20UW  
DX-J10EE

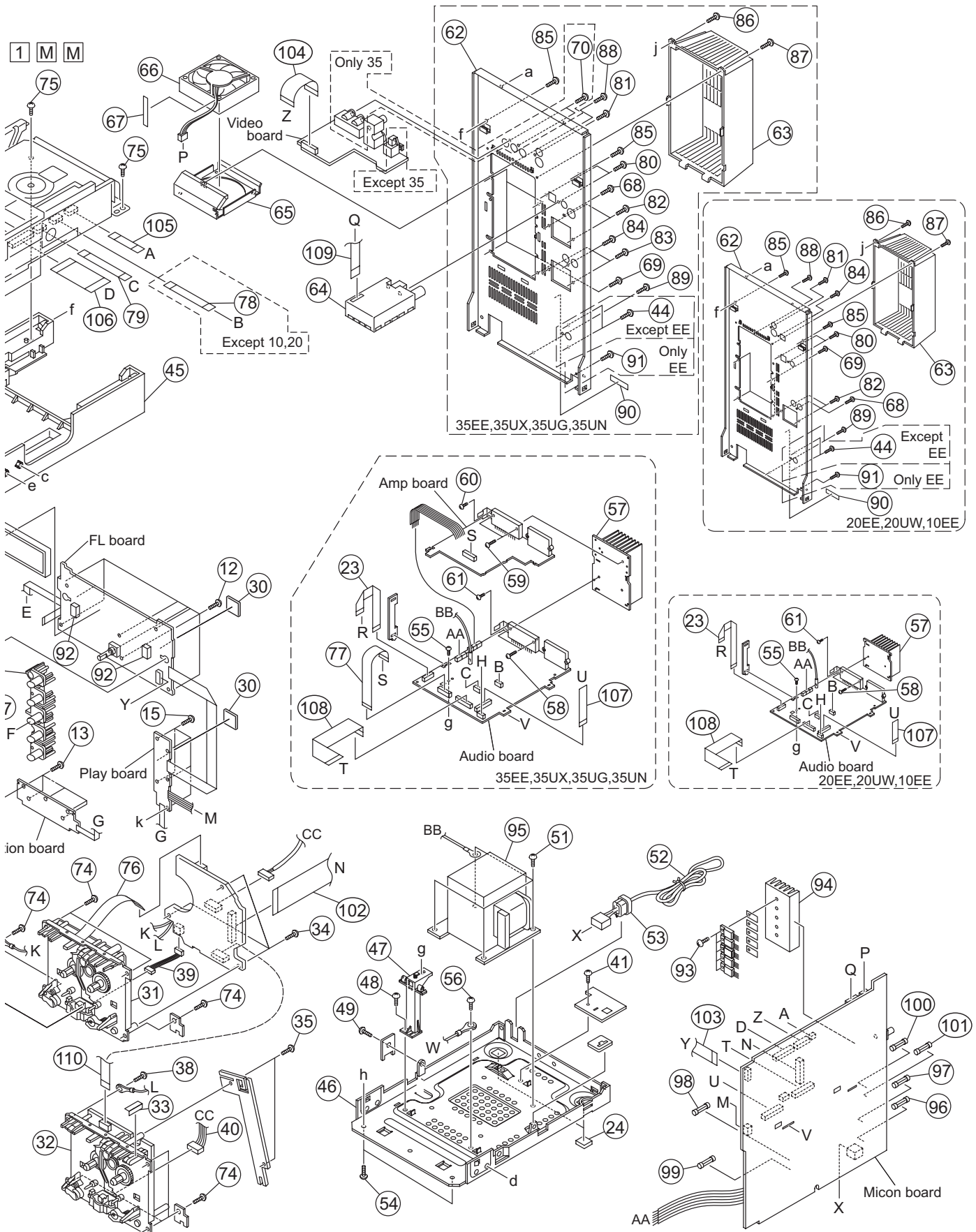
\* All printed circuit boards and its assemblies are not available as service parts.

## - Contents -

Exploded view of general assembly and parts list (Block No.M1) .....	3- 2
DVD mechanism assembly and parts list (Block No.MJ) .....	3- 6
DVD changer mechanism assembly and parts list (Block No.MK) .....	3- 8
(Only DX-J35)	
DVD changer mechanism assembly and parts list (Block No.MT) .....	3-10
(Exsept 35)	
Electrical parts list (Block No.01~08) .....	3-12
Packing materials and accessories parts list (Block No.M3) .....	3-28
(Only DX-J35EE)	
Packing materials and accessories parts list (Block No.M4) .....	3-30
(DX-J35UX,UG,UN)	
Packing materials and accessories parts list (Block No.M5) .....	3-32
(Only DX-J20)	
Packing materials and accessories parts list (Block No.M6) .....	3-34
(Only DX-J10)	

# Exploded view of general assembly and parts list





# General Assembly

Block No. [M][1][M][M]

△ Symbol No.	Part No.	Part Name	Description	Local
1	GV10380-002A	FRONT PANEL ASY		35EE,35UX,35UG,20EE,20UW,10EE
1	GV10380-001A	FRONT PANEL ASY		35UN
2	GV20473-002A	FL LENS		35EE,35UX,35UG,35UN
2	GV20473-001A	FL LENS		20EE,20UW,10EE
3	GV31034-002A	BUTTON LENS		35EE,35UX,35UG,35UN
3	GV31034-001A	BUTTON LENS		20EE,20UW,10EE
4	GV31039-001A	TRAY FITTING 1		
5	GV31040-001A	TRAY FITTING 2		
6	GV31041-001A	TRAY FITTING 3		
7	GV31042-001A	TRAY FITTING 4		
8	GV31043-001A	TRAY FITTING 5		
9	GV40750-001A	POWER BTN.ASSY.		
10	GV40751-001A	KARAOKE BTN.ASS		
11	GV31031-001A	FUNCTION BUTTON		
12	QYSDSF2608ZA	TAP SCREW	M2.6 x 8mm(x7)	
13	QYSDSF2608ZA	TAP SCREW	M2.6 x 8mm(x5)	
14	GV31032-001A	DISC PLAY BTTN.		
15	QYSDSF2608ZA	TAP SCREW	M2.6 x 8mm(x5)	
16	GV31033-001A	DISC EJECT BTN.		
17	QYSDSF2608ZA	TAP SCREW	M2.6 x 8mm(x5)	
18	QYSDSF2608ZA	TAP SCREW	M2.6 x 8mm(x2)	
19	QYSDSF2608ZA	TAP SCREW	M2.6 x 8mm(x2)	
20	QYSDSG3008NA	TAP SCREW	M3 x 8mm(x2)	
21	QYSDSG3008NA	TAP SCREW	M3 x 8mm(x2)	
22	GV40313-001A	FELT SPACER	(x2)	
23	QUQU12-1312AJ-E	FFC WIRE	13pin 12cm	
24	GV40313-002A	FELT SPACER	(x2)	
25	GV31045-002A	BUTTON A/B ASSY		35EE,35UX,35UG,35UN
25	GV31045-001A	BUTTON A/B ASSY		20EE,20UW,10EE
26	QYSDSF2608ZA	TAP SCREW	M2.6 x 8mm	
27	GV31035-002A	VOLUME KNOB		
28	GV31036-002A	VOLUME RING		35EE,35UX,35UG,35UN
28	GV31036-001A	VOLUME RING		20EE,20UW,10EE
29	GV40741-004A	MIC VOL.KNOB		
30	GV30349-060A	SPACER	(x2)	
31	QAL0966-002	C.MECHA ASSY.		
32	QAL0968-001	C.MECHA ASSY.		
33	GV30349-044A	SPACER		
34	QYSDSF2006ZA	TAP SCREW	M2 x 6mm(x3)	
35	QYSDSF2006ZA	TAP SCREW	M2 x 6mm(x2)	
36	GV20476-004A	CASS.LENS (A)		35EE,35UX,35UG,35UN
36	GV20476-002A	CASS.LENS (A)		20EE,20UW
36	GV20476-001A	CASS.LENS (A)		10EE
37	GV20477-001A	CASS.LENS (B)		
38	QYSDSG3006ZA	TAP SCREW	M3 x 6mm	
39	WJM0484-003A-E	CARD WIRE	W 200	
40	WJN0229-003A-E	CARD WIRE	W 200	
41	QYSDSG3006ZA	TAP SCREW	M3 x 6mm	
42	QYSSSF3010ZA	TAP SCREW	M3 x 10mm(x2)	
43	GV30349-073A	SPACER		
44	QYSBSGY3008EA	TAP SCREW	M3 x 8mm(x2)	35UX,35UG,35UN,20UW
45	GV10355-002A	MECHA CHASSIS		
46	GV10253-005A	BOTTOM CHASSIS		
47	GV30706-001A	SUPPORT BKT.		
48	QYSDSG3006ZA	TAP SCREW	M3 x 6mm	
49	QYSBSGG3008EA	TAP SCREW	M3 x 8mm	
50	GV10371-001A/S/	METAL COVER		
51	QYSDSTL4008EA	TAP SCREW	M4 x 8mm(x4)	
52	QMPK200-200-JD	POWER CORD(EU)	2m BLACK	
53	QZW0033-001	STRAIN RELIEF		
54	QYSSST3008ZA	TAP SCREW	M3 x 8mm(x2)	
55	QYSBSF3010ZA	TAP SCREW	M3 x 10mm	
56	QYSDSG3006ZA	TAP SCREW	M3 x 6mm	
57	GV31044-003A	HEAT SINK		35EE,35UX,35UG,35UN
57	GV31044-002A	HEAT SINK		20EE,20UW
57	GV31044-001A	HEAT SINK		10EE
58	QYSBSG3016EA	TAP SCREW	M3 x 16mm(x2)	
59	QYSBSG3016EA	TAP SCREW	M3 x 16mm(x2)	
60	QYSBSGY3008EA	TAP SCREW	M3 x 8mm	35EE,35UX,35UG,35UN
61	QYSBSGY3008EA	TAP SCREW	M3 x 8mm	35EE,35UX,35UG,35UN
62	GV10370-021A	REAR PANEL		35EE
62	GV10370-019A	REAR PANEL		35UX,35UG
62	GV10370-020A	REAR PANEL		35UN
62	GV10370-018A	REAR PANEL		20EE

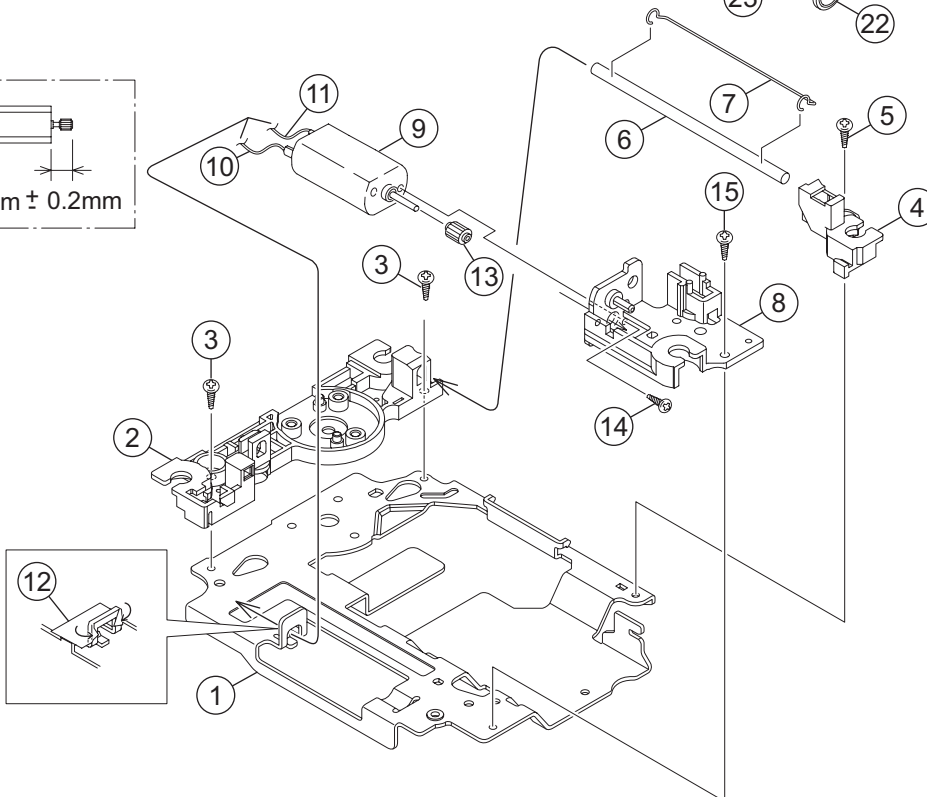
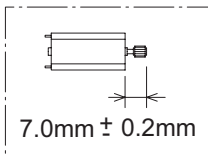
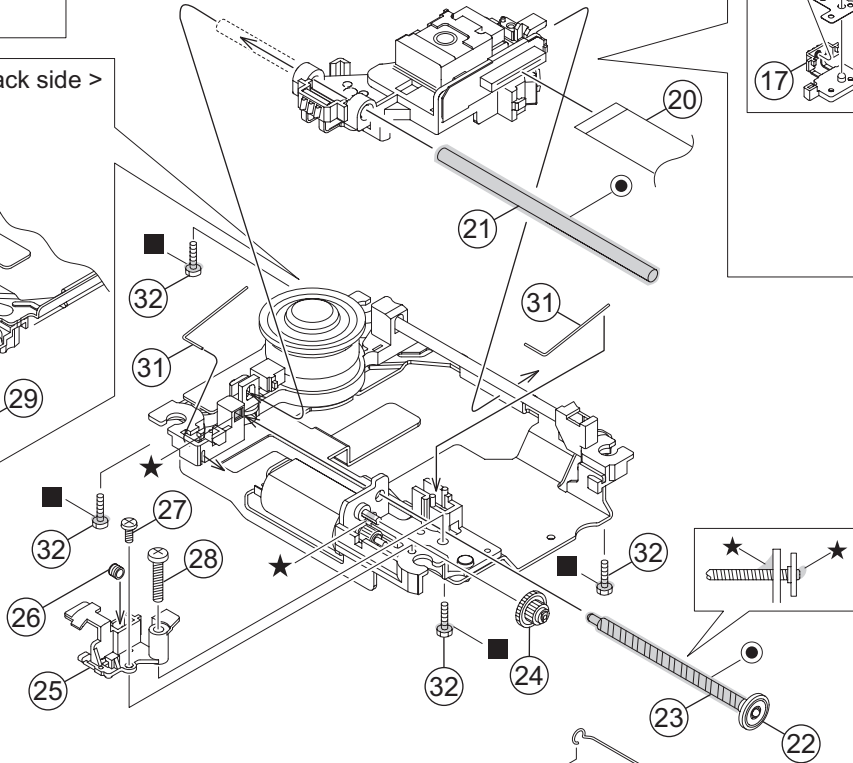
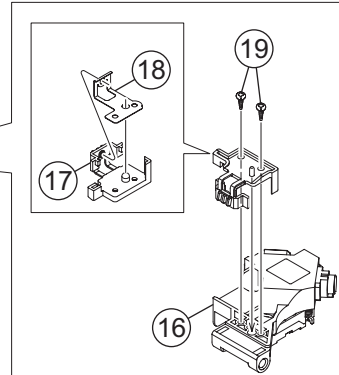
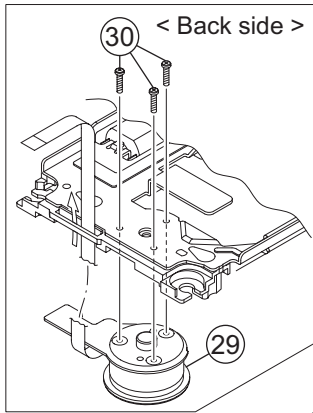
△	Symbol No.	Part No.	Part Name	Description	Local
	62	GV10370-009A	REAR PANEL		20UW
	62	GV10370-022A	REAR PANEL		10EE
	63	GV20334-001A	REAR COVER		
	64	QAU0492-001	TUNER		
	65	GV31030-001A	FAN BRACKET		
	66	QAR0453-001	FAN		
	67	GV30349-026A	SPACER		
	68	QYSBSGY3008EA	TAP SCREW	M3 x 8mm	
	69	QYSBSGY3008EA	TAP SCREW	M3 x 8mm(x4)	
	70	QYSBSGY3008EA	TAP SCREW	M3 x 8mm(x2)	35EE,35UX,35UG,35UN
	71	GV40759-002A	DOOR SPRING	(x2)	
	72	GV40220-001A	LATCH	(x2)	
	73	GV40034-001A	DAMPER ASSY.	(x2)	
	74	QYSBSF3010ZA	TAP SCREW	M3 x 10mm(x8)	
	75	QYSBSF3010ZA	TAP SCREW	M3 x 10mm(x2)	
	76	QUQU12-0606AJ-E	FFC WIRE	FC 110 6pin 6cm	
	77	QUQU12-1719AJ-E	FFC WIRE	FC 310 17pin 19cm	35EE,35UX,35UG,35UN
	78	QUR110-0818AJ-E	FFC WIRE	FC 320	35EE,35UG,35UN
	79	QUR110-1021AJ-E	FFC WIRE	FC 730	35EE,35UX,35UG,35UN
	79	QUR110-1020AJ-E	FFC WIRE	FC 730	20EE,20UW,10EE
	80	QYSBSGY3008EA	TAP SCREW	M3 x 8mm(x2)	
	81	QYSBSGY3008EA	TAP SCREW	M3 x 8mm	
	82	QYSBSGY3008EA	TAP SCREW	M3 x 8mm(x2)	
	83	QYSBSGY3008EA	TAP SCREW	M3 x 8mm(x2)	35EE,35UX,35UG,35UN
	84	QYSBSGY3008EA	TAP SCREW	M3 x 8mm	
	85	QYSBSGY3008EA	TAP SCREW	M3 x 8mm(x2)	
	86	QYSBSGY3008EA	TAP SCREW	M3 x 8mm(x8)	
	87	QYSBSGY3008EA	TAP SCREW	M3 x 8mm	
	88	QYSBSGY3008EA	TAP SCREW	M3 x 8mm	
	89	QYSBSGY3008EA	TAP SCREW	M3 x 8mm	
	90	GV30893-001A	NUMBER LABEL		
	91	QYSBSGY3008EA	TAP SCREW	M3 x 8mm	35EE,20EE,10EE
	92	GV30349-077A	SPACER	(x2)	
	93	QYSBSF3010ZA	TAP SCREW	M3 x 10mm(x5)	
	94	GV40762-001A	HEAT SINK	HS 600	
△	95	QQT0538-001	POWER TRANSF	T 4001	35EE,35UX,35UG,35UN,20EE,20UW
△	95	QQT0535-001	POWER TRANSF	T 4001	10EE
△	96	QMF51W2-4R0-J8	FUSE	F411 4A AC250V	
△	97	QMF51W2-2R0-J8	FUSE	F412 2A AC250V	
△	98	QMF51W2-6R3-J8	FUSE	F415 6.3A AC250V	
△	99	QMF51W2-6R3-J8	FUSE	F416 6.3A AC250V	
△	100	QMF51W2-4R0-J8	FUSE	F417 4A AC250V	
△	101	QMF51W2-4R0-J8	FUSE	F418 4A AC250V	
	102	QUQU12-2113BJ-E	FFC WIRE	21pin 13cm	
	103	QUR110-1312AJ-E	FFC WIRE		
	104	QUQU12-1521AJ-E	FFC WIRE	15pin 21cm	
	105	QUR110-2813AJ-E	FFC WIRE		
	106	QUR110-0511AJ-E	FFC WIRE		
	107	QUQU12-2314AJ-E	FFC WIRE	23pin 14cm	35EE,35UX,35UG,35UN
	107	QUQU12-1714AJ-E	FFC WIRE	17pin 14cm	20EE,20UW,10EE
	108	QUQU12-2108AJ-E	FFC WIRE	21pin 8cm	
	109	QUQU12-1111AJ-E	FFC WIRE	11pin 11cm	
	110	QUQU12-0710BJ-E	FFC WIRE	7pin 10cm	
	111	LV30225-074A	SPECER		

# DVD mechanism assembly and parts list

Block No. M J M M

Grease  
 ★ =JVG-31N  
 ● =JVS-1003  
 ■ =1401C

FXL-D20-11M



The parts without symbol number are not service.



# DVD mechanism

Block No. [M][J][M][M]

△	Symbol No.	Part No.	Part Name	Description	Local
	1	LV22234-001A	TM.CHASSIS		
	2	LV22294-001A	C.SPINDLE BASE		
	3	QYSDST2005ZA	TAP SCREW	M2 x 5mm(x2)	
	4	LV36791-001A	C.G.S.HOLDER		
	5	QYSDST2005ZA	TAP SCREW	M2 x 5mm	
	6	LV44041-002A	GUIDE SHAFT		
	7	LV44479-001A	BAR SPRING		
	8	LV22236-001A	FEED HOLDER		
	9	QAR0165-001	FEED MOTOR		
	10	QUB549-05A1A1-E	SIN TWIST WIRE		
	11	QUB544-05A1A1-E	SIN TWIST WIRE		
	12	LV30225-0X5A	SPACER		
	13	LV36557-001A	F.M.GEAR		
	14	QYSPSPT2030MA	SCREW	M2 x 3mm	
	15	QYSDST2005ZA	TAP SCREW	M2 x 5mm	
	16	QAL0786-004	P.UP		
	17	LV22237-001A	RACK ARM		
	18	LV36560-001A	RACK ARM SPRING		
	19	QYSPSFU1740ZA	TAP SCREW	M1.7 x 4mm(x2)	
	20	QUQK05-2415AC-E	FFC WIRE	24pin 15cm	
	21	LV44041-002A	GUIDE SHAFT		
	22	LV36559-001A	L.S.GEAR		
	23	LV41517-003A	LEAD SCREW		
	24	LV36558-001A	MIDDLE GEAR		
	25	LV36556-001A	SPRING HOLDER		
	26	LV44623-001A	COMP.SPRING		
	27	QYSDST2005ZA	TAP SCREW	M2 x 5mm	
	28	QYSDST2616MA	TAP SCREW	M2.6 x 16mm	
	29	QAR0334-002	S.MOTOR		
	30	QYSPSPU1775ZA	SCREW	M1.7 x 7.5mm(x3)	
	31	LV44042-001A	ROD SPRING	(x2)	
	32	LE40858-002A	SPECIAL SCREW	(x4)	

# DVD changer mechanism and parts list(Only DX-J35)

FMU-SB6-1M

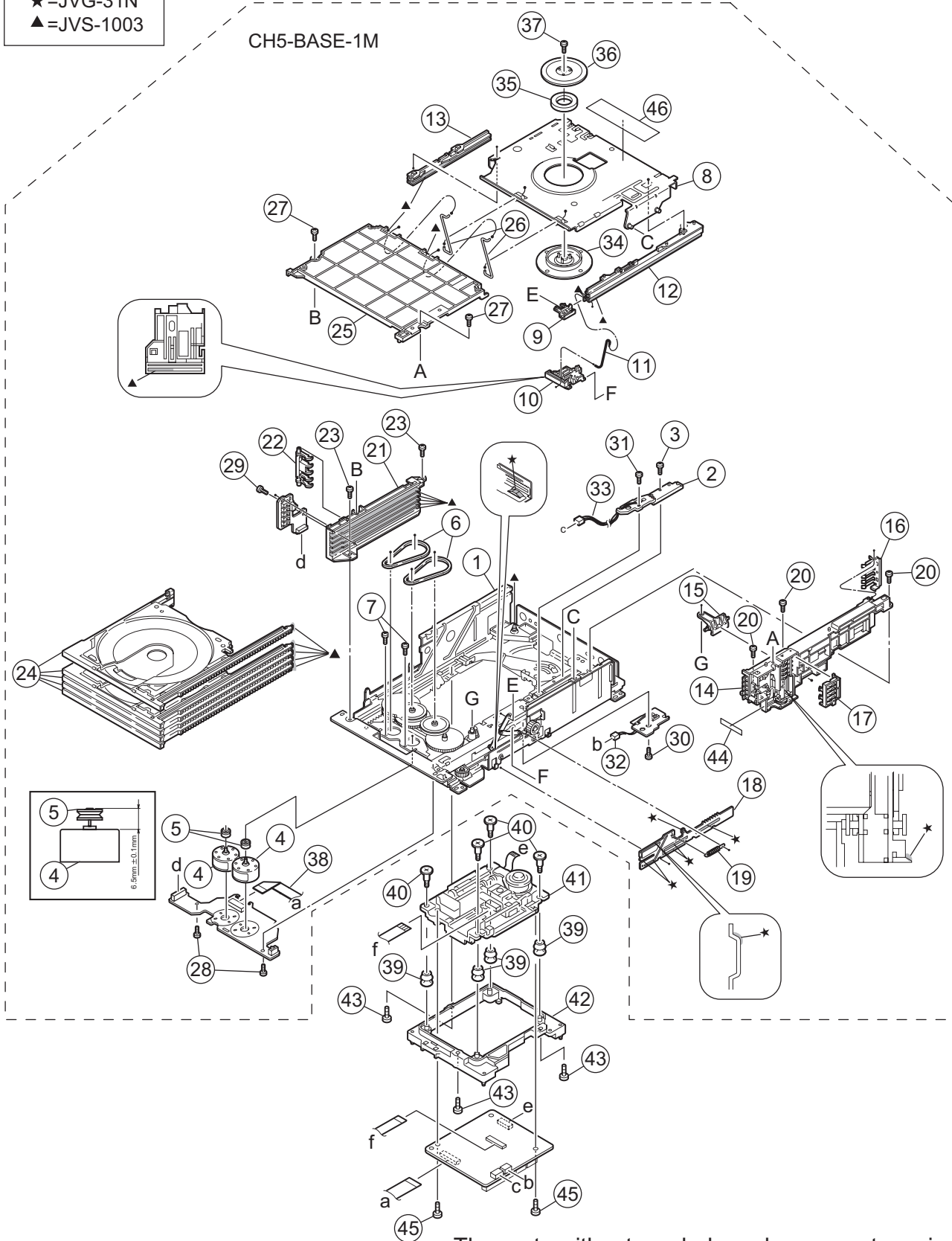
Block No. M K M M

**Grease**

★=JVG-31N

▲=JVS-1003

CH5-BASE-1M



The parts without symbol number are not service.

# DVD changer mechanism(Only DX-J35)

Block No. [M][K][M][M]

△	Symbol No.	Part No.	Part Name	Description	Local
	1	LV10913-001A	LOADER ASSY		
	2	QVY0027-B14	S V RESISTOR		
	3	QYSDST2004Z	SCREW	2mm x 4mm	
	4	QAR0164-001	MOTOR	(x2)	
	5	LV42340-001A	MOTOR PULLEY	(x2)	
	6	LV41431-002A	BELT	(x2)	
	7	QYSPSPU1725N	SCREW	1.7mm x 2.5mm(x2)	
	8	LV33965-004A	LIFTER ASSY		
	9	LV33963-001A	HOOK		
	10	LV33964-002A	HOOK STOPPER		
	11	LV43285-001A	ROD (L)		
	12	LV21408-002A	RAIL(R)		
	13	LV21409-002A	RAIL(L)		
	14	LV21520-004A	SIDE(R) ASSY		
	15	LV33974-001A	SELECT LEVER		
	16	LV33977-002A	CLICK SPRING		
	17	LV33975-001A	GEAR COVER		
	18	LV33976-001A	ELEVATOR CAM		
	19	LV43287-001A	ELEVATOR SPRING		
	20	QYSDST2605Z	SCREW	2.6mm x 5mm(x3)	
	21	LV10749-002A	SIDE(L)		
	22	LV33980-001A	OPEN DET.LEVER		
	23	QYSDST2605Z	SCREW	2.6mm x 5mm(x2)	
	24	LV10746-003A	TRAY ASSY	(x5)	
	25	LV10750-002A	TOP COVER		
	26	LV43289-002A	ROD	(x2)	
	27	QYSDSF2608Z	SCREW	2.6mm x 8mm(x2)	
	28	QYSDST2605Z	SCREW	2.6mm x 5mm(x2)	
	29	QYSDSF2608Z	SCREW	2.6mm x 8mm	
	30	QYSDST2605Z	SCREW	2.6mm x 5mm	
	31	QYSDST2004Z	SCREW	2mm x 4mm	
	32	WJM0330-002A	E-SI C WIRE C-F		
	33	WJM0331-001A	E-SI C WIRE C-F		
	34	LV32417-001A	CLAMPER		
	35	LV42930-003A	P.C.MAGNET		
	36	LV33992-001A	DVD YOKE		
	37	LV41741-001A	SPECIAL SCREW		
	38	QUQ110-1508BJ	FFC WIRE		
	39	LV44043-001A	INSULATOR	(x4)	
	40	LV44045-001A	SPECIAL SCREW	(x4)	
	41	-----	DVD TRAMECHA		
	42	LV11281-002A	TM CB HOLDER		
	43	QYSDST2605ZA	TAP SCREW	M2.6 x 5mm(x3)	
	44	LV30227-044A	SPACER		
	45	LV44209-001A	WASHER SCREW	(x2)	
	46	LV44603-003A	LASER CAUTION		

# DVD changer assembly and parts list(Except DX-J35)

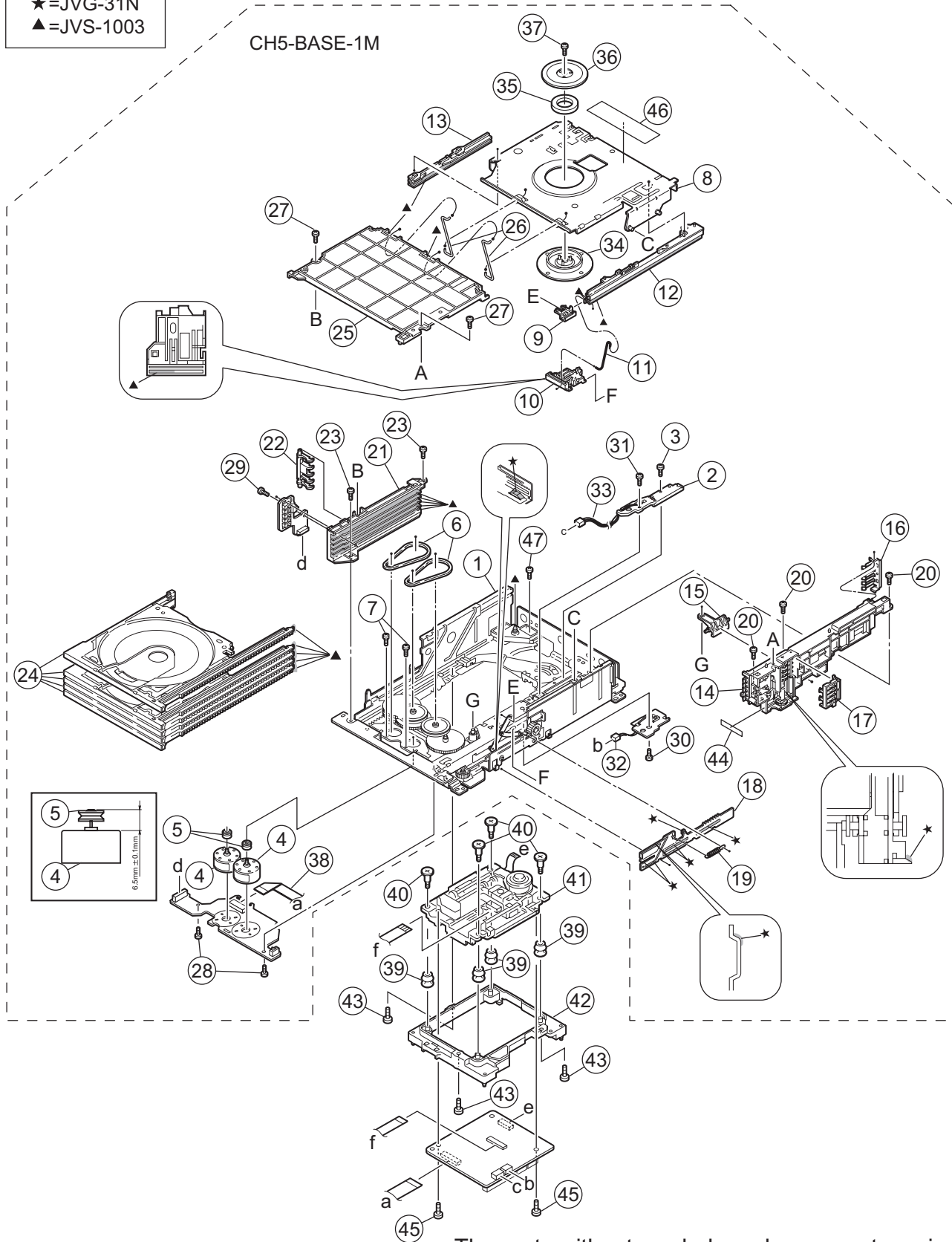
FMU-SB6-11M

Block No. M T M M

**Grease**

★=JVG-31N

▲=JVS-1003



The parts without symbol number are not service.

# DVD changer mechanism(Except DX-J35)

Block No. [M][T][M][M]

△	Symbol No.	Part No.	Part Name	Description	Local
1		LV10913-004A	LOADER ASSY		
2		QVY0027-B14	S V RESISTOR		
3		QYSDST2004ZA	TAP SCREW	M2 x 4mm	
4		QAR0164-001	MOTOR	(x2)	
5		LV42340-001A	MOTOR PULLEY	(x2)	
6		LV41431-002A	BELT	(x2)	
7		QYSPSPU1725NA	SCREW	M1.7 x 2.5mm(x2)	
8		LV33965-004A	LIFTER ASSY		
9		LV33963-001A	HOOK		
10		LV33964-002A	HOOK STOPPER		
11		LV43285-001A	ROD (L)		
12		LV21408-002A	RAIL(R)		
13		LV21409-002A	RAIL(L)		
14		LV21520-004A	SIDE(R) ASSY		
15		LV33974-002A	SELECT LEVER		
16		LV33977-002A	CLICK SPRING		
17		LV33975-001A	GEAR COVER		
18		LV33976-002A	ELEVATOR CAM		
19		LV43287-001A	ELEVATOR SPRING		
20		QYSDST2605ZA	TAP SCREW	M2.6 x 5mm(x3)	
21		LV10749-002A	SIDE(L)		
22		LV33980-002A	OPEN DET.LEVER		
23		QYSDST2605ZA	TAP SCREW	M2.6 x 5mm(x2)	
24		LV10746-006A	TRAY ASSY	(x5)	
25		LV10750-003A	TOP COVER		
26		LV43289-003A	ROD	(x2)	
27		QYSDSF2608ZA	TAP SCREW	M2.6 x 8mm(x2)	
28		QYSDST2605ZA	TAP SCREW	M2.6 x 5mm(x2)	
29		QYSDSF2608ZA	TAP SCREW	M2.6 x 8mm	
30		QYSDST2605ZA	TAP SCREW	M2.6 x 5mm	
31		QYSDST2004ZA	TAP SCREW	M2 x 4mm	
32		WJM0330-002A-E	E-SI C WIRE C-F		
33		WJM0331-001A-E	E-SI C WIRE C-F		
34		LV32417-001A	CLAMPER		
35		LV42930-003A	P.C.MAGNET		
36		LV33992-001A	DVD YOKE		
37		LV41741-003A	SPECIAL SCREW		
38		QUQ110-1508BJ	FFC WIRE	15pin 8cm	
39		LV44043-001A	INSULATOR	(x4)	
40		LV44045-001A	SPECIAL SCREW	(x4)	
41		-----	DVD TRAMECHA		
42		LV11281-002A	TM CB HOLDER		
43		QYSDST2605ZA	TAP SCREW	M2.6 x 5mm(x3)	
44		LV30227-044A	SPACER		
45		LV44209-001A	WASHER SCREW	(x2)	
46		LV44603-003A	LASER CAUTION		
47		QYSDST2605ZA	SCREW	M2.6 x 5 mm	

# Electrical parts list

## AMP board

Block No. [0][1]

△ Symbol No.	Part No.	Part Name	Description	Local
IC101	PT6324-HT	IC		
IC102	GP1UM281XKV	IC		
△ IC310	STK433-240A-E	POWER IC		35EE,35UX, 35UG,35UN
IC350	R2S15904SP-X	IC		35EE,35UX, 35UG,35UN
IC360	R2S15904SP-X	IC		35EE,35UX, 35UG,35UN
IC700	NJM4565E-X	IC		35EE,35UX, 35UG,35UN
IC710	NJM4565E-X	IC		35EE,35UX, 35UG,35UN
IC730	R2S15207FP-X	IC		
IC750	NJM4565E-X	IC		
IC751	TC4066BFT-X	IC		
IC770	RT3Y97M-X	IC		
IC780	NJM4565E-X	IC		35EE,35UX, 35UG,35UN,
△ IC820	STK415-100-E	POWER IC		20EE,20UW 35EE,35UX, 35UG,35UN, 10EE
△ IC820	STK416-100-E	POWER IC		20EE,20UW
Q1001	RT1N140C-X	DIGI TRANSISTOR		
Q1002	RT1N140C-X	DIGI TRANSISTOR		
Q1003	RT1N140C-X	DIGI TRANSISTOR		
Q3201	KTC3199/GLJ-T	TRANSISTOR		35EE,35UX, 35UG,35UN
Q3301	KTC3199/GLJ-T	TRANSISTOR		35EE,35UX, 35UG,35UN
Q3401	KTC3199/GLJ-T	TRANSISTOR		35EE,35UX, 35UG,35UN
Q3609	RT6N140C-X	TRANSISTOR		35EE,35UX, 35UG,35UN
Q3709	RT6N140C-X	TRANSISTOR		35EE,35UX, 35UG,35UN
Q3802	RT6N140C-X	TRANSISTOR		35EE,35UX, 35UG,35UN
Q3901	2SC3928A/QR/-X	TRANSISTOR		35EE,35UX, 35UG,35UN
Q7400	RT6N140C-X	TRANSISTOR		
Q7405	RT6N140C-X	TRANSISTOR		
Q7410	RT6N140C-X	TRANSISTOR		
Q7415	RT6N140C-X	TRANSISTOR		
Q7420	2SC5938A/B/-X	TRANSISTOR		
Q7430	2SC5938A/B/-X	TRANSISTOR		
Q7515	RT1N441C-X	TRANSISTOR		
Q7516	RT1N441C-X	TRANSISTOR		
Q7600	RT6N140C-X	TRANSISTOR		
Q7605	RT6N140C-X	TRANSISTOR		
Q7610	RT6N140C-X	TRANSISTOR		
Q7615	RT6N140C-X	TRANSISTOR		
Q7620	RT6N140C-X	TRANSISTOR		
Q7630	RT6N140C-X	TRANSISTOR		
Q7750	RT6N140C-X	TRANSISTOR		35EE,35UX, 35UG,35UN, 20EE,20UW
Q7751	RT6N140C-X	TRANSISTOR		35EE,35UX, 35UG,35UN
Q8100	KTC3200/GLJ-T	TRANSISTOR		
Q8101	2SA1530A/QR/-X	TRANSISTOR		35EE,35UX, 35UG,35UN
Q8101	ISA1530AC1/QR/X	TRANSISTOR		20EE,20UW ,10EE
Q8102	2SC3928A/QR/-X	TRANSISTOR		
Q8103	KTA1268/GLJ-T	TRANSISTOR		
Q8210	KTC3199/GLJ-T	TRANSISTOR		
Q8220	KTC3199/GLJ-T	TRANSISTOR		
Q8250	KTC3199/GLJ-T	TRANSISTOR		20EE,20UW
Q8400	RT1N431C-X	TRANSISTOR		
D1001	SLR-343VC-T	LED		
D1002	SLR-343VC-T	LED		

△ Symbol No.	Part No.	Part Name	Description	Local
D1003	SLR-343VC-T	LED		
D3201	MA111-X	SI DIODE		35EE,35UX, 35UG,35UN
D3301	MA111-X	SI DIODE		35EE,35UX, 35UG,35UN
D3401	MA111-X	SI DIODE		35EE,35UX, 35UG,35UN
D3901	MA111-X	SI DIODE		35EE,35UX, 35UG,35UN
D7440	MA111-X	SI DIODE		
D7441	MA111-X	SI DIODE		
D7442	MA111-X	SI DIODE		
D7640	MA111-X	SI DIODE		
D7641	MA111-X	SI DIODE		
D7642	MA111-X	SI DIODE		
D8100	MA111-X	SI DIODE		
D8200	UDZW15B-X	Z DIODE		
D8201	UDZW36B-X	Z DIODE		
D8202	UDZW15B-X	Z DIODE		
D8203	UDZW36B-X	Z DIODE		
D8204	1N5402M-20	SI DIODE		
D8205	1N5402M-20	SI DIODE		
D8210	MA111-X	SI DIODE		
D8220	MA111-X	SI DIODE		
D8250	MA111-X	SI DIODE		20EE,20UW
D8310	MA111-X	SI DIODE		
D8320	MA111-X	SI DIODE		
D8400	MA111-X	SI DIODE		
C1008	NCB31CK-104X	C CAPACITOR	0.1uF 16V K	
C1010	QETN1EM-476Z	E CAPACITOR	47uF 25V M	
C1012	QETN1HM-105Z	E CAPACITOR	1uF 50V M	
C1013	NCB31HK-103X	C CAPACITOR	0.01uF 50V K	
C1015	NCB31HK-104X	C CAPACITOR	0.1uF 50V K	
C1029	NCB31HK-104X	C CAPACITOR	0.1uF 50V K	
C3201	NDC31HJ-3R0X	C CAPACITOR	3pF 50V J	35EE,35UX, 35UG,35UN
C3202	NDC31HJ-5R0X	C CAPACITOR	5pF 50V J	35EE,35UX, 35UG,35UN
C3203	NCB31HK-104X	C CAPACITOR	0.1uF 50V K	35EE,35UX, 35UG,35UN
C3204	NCB31HK-104X	C CAPACITOR	0.1uF 50V K	35EE,35UX, 35UG,35UN
C3301	NDC31HJ-3R0X	C CAPACITOR	3pF 50V J	35EE,35UX, 35UG,35UN
C3302	NDC31HJ-5R0X	C CAPACITOR	5pF 50V J	35EE,35UX, 35UG,35UN
C3303	NCB31HK-104X	C CAPACITOR	0.1uF 50V K	35EE,35UX, 35UG,35UN
C3304	NCB31HK-104X	C CAPACITOR	0.1uF 50V K	35EE,35UX, 35UG,35UN
C3401	NDC31HJ-3R0X	C CAPACITOR	3pF 50V J	35EE,35UX, 35UG,35UN
C3402	NDC31HJ-5R0X	C CAPACITOR	5pF 50V J	35EE,35UX, 35UG,35UN
C3403	NCB31HK-104X	C CAPACITOR	0.1uF 50V K	35EE,35UX, 35UG,35UN
C3404	NCB31HK-104X	C CAPACITOR	0.1uF 50V K	35EE,35UX, 35UG,35UN
C3503	QETN1HM-106Z	E CAPACITOR	10uF 50V M	35EE,35UX, 35UG,35UN
C3504	QETN1HM-104Z	E CAPACITOR	0.1uF 50V M	35EE,35UX, 35UG,35UN
C3510	QETN1HM-106Z	E CAPACITOR	10uF 50V M	35EE,35UX, 35UG,35UN
C3511	QETN1CM-107Z	E CAPACITOR	100uF 16V M	35EE,35UX, 35UG,35UN
C3512	QETN1CM-107Z	E CAPACITOR	100uF 16V M	35EE,35UX, 35UG,35UN
C3514	NCB31HK-471X	C CAPACITOR	470pF 50V K	35EE,35UX, 35UG,35UN
C3515	QEZ0863-106Z	M CAPACITOR	10uF	35EE,35UX, 35UG,35UN
C3516	NDC31HJ-101X	C CAPACITOR	100pF 50V J	35EE,35UX, 35UG,35UN
C3517	QEZ0863-226Z	E CAPACITOR	22uF	35EE,35UX, 35UG,35UN
C3603	QETN1HM-106Z	E CAPACITOR	10uF 50V M	35EE,35UX, 35UG,35UN

△ Symbol No.	Part No.	Part Name	Description	Local	△ Symbol No.	Part No.	Part Name	Description	Local
C3604	QETN1HM-104Z	E CAPACITOR	0.1uF 50V M	35EE,35UX, 35UG,35UN	C7319	QFLC1HJ-103Z	M CAPACITOR	0.01uF 50V J	20EE,20UW
C3605	QETN1HM-105Z	E CAPACITOR	1uF 50V M	35EE,35UX, 35UG,35UN	C7321	QFVF1HJ-274Z	MF CAPACITOR	0.27uF 50V J	
C3608	QETN1CM-107Z	E CAPACITOR	100uF 16V M	35EE,35UX, 35UG,35UN	C7322	QFLC1HJ-104Z	M CAPACITOR	0.1uF 50V J	
C3609	QEZO863-106Z	M CAPACITOR	10uF	35EE,35UX, 35UG,35UN	C7323	QEZO863-336Z	E CAPACITOR	33uF	
C3610	NCB31HK-471X	C CAPACITOR	470pF 50V K	35EE,35UX, 35UG,35UN	C7324	QFLC1HJ-683Z	M CAPACITOR	0.068uF 50V J	
C3616	NDC31HJ-101X	C CAPACITOR	100pF 50V J	35EE,35UX, 35UG,35UN	C7331	QFVF1HJ-274Z	MF CAPACITOR	0.27uF 50V J	
C3617	QEZO863-226Z	E CAPACITOR	22uF	35EE,35UX, 35UG,35UN	C7332	QFLC1HJ-104Z	M CAPACITOR	0.1uF 50V J	
C3703	QETN1HM-106Z	E CAPACITOR	10uF 50V M	35EE,35UX, 35UG,35UN	C7333	QEZO863-336Z	E CAPACITOR	33uF	
C3704	QETN1HM-104Z	E CAPACITOR	0.1uF 50V M	35EE,35UX, 35UG,35UN	C7334	QFLC1HJ-683Z	M CAPACITOR	0.068uF 50V J	
C3705	QETN1HM-105Z	E CAPACITOR	1uF 50V M	35EE,35UX, 35UG,35UN	C7340	QEZO863-476Z	E CAPACITOR	47uF	35EE,35UX, 35UG,35UN
C3709	QEZO863-106Z	M CAPACITOR	10uF	35EE,35UX, 35UG,35UN	C7340	QEZO863-336Z	E CAPACITOR	33uF	20EE,20UW
C3710	NCB31HK-471X	C CAPACITOR	470pF 50V K	35EE,35UX, 35UG,35UN	C7340	QETN1JM-476Z	E CAPACITOR	47uF 63V M	10EE
C3716	NDC31HJ-101X	C CAPACITOR	100pF 50V J	35EE,35UX, 35UG,35UN	C7343	QEZO863-107Z	E CAPACITOR	100uF	
C3717	QEZO863-226Z	E CAPACITOR	22uF	35EE,35UX, 35UG,35UN	C7344	NCB31HK-473X	C CAPACITOR	0.047uF 50V K	
C3718	QEZO863-226Z	E CAPACITOR	22uF	35EE,35UX, 35UG,35UN	C7345	QETN1HM-105Z	E CAPACITOR	1uF 50V M	
C3818	QEZO863-226Z	E CAPACITOR	22uF	35EE,35UX, 35UG,35UN	C7442	QETN1HM-105Z	E CAPACITOR	1uF 50V M	
C3901	NCB31HK-104X	C CAPACITOR	0.1uF 50V K	35EE,35UX, 35UG,35UN	C7445	QETN1EM-476Z	E CAPACITOR	47uF 25V M	
C3918	QEZO863-226Z	E CAPACITOR	22uF	35EE,35UX, 35UG,35UN	C7501	QFVF1HJ-124Z	MF CAPACITOR	0.12uF 50V J	
C7000	QEZO863-106Z	M CAPACITOR	10uF	35EE,35UX, 35UG,35UN	C7502	QFLC1HJ-823Z	M CAPACITOR	0.082uF 50V J	
C7001	QFLC1HJ-223Z	M CAPACITOR	0.022uF 50V J	35EE,35UX, 35UG,35UN	C7503	QEZO863-106Z	M CAPACITOR	10uF	
C7002	QFLC1HJ-223Z	M CAPACITOR	0.022uF 50V J	35EE,35UX, 35UG,35UN	C7511	QFVF1HJ-124Z	MF CAPACITOR	0.12uF 50V J	
C7040	QETN1AM-108Z	E CAPACITOR	1000uF 10V M		C7512	QFLC1HJ-823Z	M CAPACITOR	0.082uF 50V J	
C7050	QEZO863-107Z	E CAPACITOR	100uF		C7513	QEZO863-106Z	M CAPACITOR	10uF	
C7100	QEZO863-106Z	M CAPACITOR	10uF	35EE,35UX, 35UG,35UN	C7515	QETM1AM-228	E CAPACITOR	2200uF 10V M	35EE,35UX, 35UG,35UN, 10EE
C7101	NDC31HJ-151X	C CAPACITOR	150pF 50V J	35EE,35UX, 35UG,35UN	C7515	QETN1AM-108Z	E CAPACITOR	1000uF 10V M	20EE,20UW
C7110	QEZO863-106Z	M CAPACITOR	10uF	35EE,35UX, 35UG,35UN	C7540	QEZO863-476Z	E CAPACITOR	47uF	35EE,35UX, 35UG,35UN, 10EE
C7111	NDC31HJ-151X	C CAPACITOR	150pF 50V J	35EE,35UX, 35UG,35UN	C7540	QEZO863-336Z	E CAPACITOR	33uF	20EE,20UW
C7140	QETN1AM-477Z	E CAPACITOR	470uF 10V M		C7540	QETN1JM-476Z	E CAPACITOR	47uF 63V M	10EE
C7300	QEZO863-336Z	E CAPACITOR	33uF		C7642	QETN1HM-105Z	E CAPACITOR	1uF 50V M	
C7301	QETN1HM-106Z	E CAPACITOR	10uF 50V M		C7645	QETN1EM-476Z	E CAPACITOR	47uF 25V M	
C7302	QETN1HM-106Z	E CAPACITOR	10uF 50V M		C7700	QETN1HM-106Z	E CAPACITOR	10uF 50V M	
C7303	QETN1HM-106Z	E CAPACITOR	10uF 50V M		C7800	QFLC1HJ-123Z	M CAPACITOR	0.012uF 50V J	20EE,20UW
C7304	QETN1HM-106Z	E CAPACITOR	10uF 50V M		C7801	QFLC1HJ-123Z	M CAPACITOR	0.012uF 50V J	20EE,20UW
C7306	QEZO863-106Z	M CAPACITOR	10uF		C7802	QFLC1HJ-104Z	M CAPACITOR	0.1uF 50V J	20EE,20UW
C7307	QFG32AJ-272Z	PP CAPACITOR	2700pF 100V J	35EE,35UX, 35UG,35UN, 10EE	C7803	QEZO863-476Z	E CAPACITOR	47uF	35EE,35UX, 35UG,35UN, 10EE
C7307	QFG32AJ-472Z	PP CAPACITOR	4700pF 100V J	35EE,35UX, 35UG,35UN, 10EE	C7803	QEZO863-336Z	E CAPACITOR	33uF	20EE,20UW
C7308	QFLC1HJ-104Z	M CAPACITOR	0.1uF 50V J		C8000	QEZO865-338	E CAPACITOR	3300uF	35EE,35UX, 35UG,35UN, 10EE
C7309	QFLC1HJ-822Z	M CAPACITOR	8200pF 50V J	35EE,35UX, 35UG,35UN, 10EE	C8000	QEZO510-478	E CAPACITOR	4700uF M	20EE,20UW
C7309	QFLC1HJ-103Z	M CAPACITOR	0.01uF 50V J	20EE,20UW	C8010	QEZO865-338	E CAPACITOR	3300uF	35EE,35UX, 35UG,35UN, 10EE
C7310	QEZO863-336Z	E CAPACITOR	33uF		C8010	QEZO510-478	E CAPACITOR	4700uF M	20EE,20UW
C7311	QETN1HM-106Z	E CAPACITOR	10uF 50V M		C8020	QEZO743-478	E CAPACITOR	4700uF 35V M	35EE,35UX, 35UG,35UN, 20EE,20UW
C7312	QETN1HM-106Z	E CAPACITOR	10uF 50V M		C8020	QEZO786-688	E CAPACITOR	6800uF	10EE
C7313	QETN1HM-106Z	E CAPACITOR	10uF 50V M		C8030	QEZO743-478	E CAPACITOR	4700uF 35V M	35EE,35UX, 35UG,35UN, 20EE,20UW
C7314	QETN1HM-106Z	E CAPACITOR	10uF 50V M		C8030	QEZO786-688	E CAPACITOR	6800uF	10EE
C7316	QEZO863-106Z	M CAPACITOR	10uF		C8100	QETN1HM-106Z	E CAPACITOR	10uF 50V M	
C7317	QFG32AJ-272Z	PP CAPACITOR	2700pF 100V J	35EE,35UX, 35UG,35UN, 10EE	C8101	QETN1EM-476Z	E CAPACITOR	47uF 25V M	
C7317	QFG32AJ-472Z	PP CAPACITOR	4700pF 100V J	35EE,35UX, 35UG,35UN, 10EE	C8102	QETN1HM-106Z	E CAPACITOR	10uF 50V M	
C7318	QFLC1HJ-104Z	M CAPACITOR	0.1uF 50V J		C8200	NCB31HK-104X	C CAPACITOR	0.1uF 50V K	
C7319	QFLC1HJ-822Z	M CAPACITOR	8200pF 50V J	35EE,35UX, 35UG,35UN, 10EE	C8201	NCB31HK-104X	C CAPACITOR	0.1uF 50V K	
					C8202	NCB31HK-104X	C CAPACITOR	0.1uF 50V K	
					C8203	NCB31HK-104X	C CAPACITOR	0.1uF 50V K	
					C8210	QEZO863-106Z	M CAPACITOR	10uF	35EE,35UX, 35UG,35UN, 10EE
					C8210	QTE1J46-106Z	E CAPACITOR	10uF 63V	20EE,20UW
					C8211	NCB31HK-471X	C CAPACITOR	470pF 50V K	
					C8212	NDC31HJ-101X	C CAPACITOR	100pF 50V J	
					C8213	NDC31HJ-3R0X	C CAPACITOR	3pF 50V J	
					C8214	QEZO863-476Z	E CAPACITOR	47uF	35EE,35UX, 35UG,35UN, 10EE
					C8214	QTE1E46-107Z	E CAPACITOR	100uF 25V	20EE,20UW
					C8216	NCB31HK-104X	C CAPACITOR	0.1uF 50V K	
					C8217	NCB31HK-104X	C CAPACITOR	0.1uF 50V K	
					C8218	QEZO863-476Z	E CAPACITOR	47uF	35EE,35UX, 35UG,35UN, 10EE

△ Symbol No.	Part No.	Part Name	Description	Local	△ Symbol No.	Part No.	Part Name	Description	Local
C8218	QTE1E46-107Z	E CAPACITOR	100uF 25V	20EE,20UW	R3206	NRSA63J-473X	MG RESISTOR	47kΩ 1/16W J	35EE,35UX,35UG,35UN
C8220	QEZO863-106Z	M CAPACITOR	10uF	35EE,35UX,35UG,35UN,10EE	R3207	NRSA63J-104X	MG RESISTOR	100kΩ 1/16W J	35EE,35UX,35UG,35UN
C8220	QTE1J46-106Z	E CAPACITOR	10uF 63V	20EE,20UW	△ R3208	QRJ146J-4R7X	UNF C RESISTOR	4.7Ω 1/4W J	35EE,35UX,35UG,35UN
C8221	NCB31HK-471X	C CAPACITOR	470pF 50V K		△ R3209	QRJ146J-4R7X	UNF C RESISTOR	4.7Ω 1/4W J	35EE,35UX,35UG,35UN
C8222	NDC31HJ-101X	C CAPACITOR	100pF 50V J		△ R3301	QRZ0224-R22	EMIT RESISTOR	0.22Ω	35EE,35UX,35UG,35UN
C8223	NDC31HJ-3R0X	C CAPACITOR	3pF 50V J		R3302	NRSA63J-563X	MG RESISTOR	56kΩ 1/16W J	35EE,35UX,35UG,35UN
C8224	QEZO863-476Z	E CAPACITOR	47uF	35EE,35UX,35UG,35UN,10EE	R3303	NRSA63J-102X	MG RESISTOR	1kΩ 1/16W J	35EE,35UX,35UG,35UN
C8224	QTE1E46-107Z	E CAPACITOR	100uF 25V	20EE,20UW	R3304	NRSA63J-102X	MG RESISTOR	1kΩ 1/16W J	35EE,35UX,35UG,35UN
C8226	NCB31HK-104X	C CAPACITOR	0.1uF 50V K		R3305	NRSA63J-562X	MG RESISTOR	5.6kΩ 1/16W J	35EE,35UX,35UG,35UN
C8227	NCB31HK-104X	C CAPACITOR	0.1uF 50V K		R3306	NRSA63J-473X	MG RESISTOR	47kΩ 1/16W J	35EE,35UX,35UG,35UN
C8228	QEZO863-476Z	E CAPACITOR	47uF	35EE,35UX,35UG,35UN,10EE	R3307	NRSA63J-104X	MG RESISTOR	100kΩ 1/16W J	35EE,35UX,35UG,35UN
C8228	QTE1E46-107Z	E CAPACITOR	100uF 25V	20EE,20UW	△ R3308	QRJ146J-4R7X	UNF C RESISTOR	4.7Ω 1/4W J	35EE,35UX,35UG,35UN
C8250	QTE1J46-106Z	E CAPACITOR	10uF 63V	20EE,20UW	△ R3309	QRJ146J-4R7X	UNF C RESISTOR	4.7Ω 1/4W J	35EE,35UX,35UG,35UN
C8251	NCB31HK-471X	C CAPACITOR	470pF 50V K		△ R3401	QRZ0224-R22	EMIT RESISTOR	0.22Ω	35EE,35UX,35UG,35UN
C8252	NDC31HJ-101X	C CAPACITOR	100pF 50V J		R3402	NRSA63J-563X	MG RESISTOR	56kΩ 1/16W J	35EE,35UX,35UG,35UN
C8253	NDC31HJ-3R0X	C CAPACITOR	3pF 50V J		R3403	NRSA63J-102X	MG RESISTOR	1kΩ 1/16W J	35EE,35UX,35UG,35UN
C8254	QTE1E46-107Z	E CAPACITOR	100uF 25V	20EE,20UW	R3404	NRSA63J-102X	MG RESISTOR	1kΩ 1/16W J	35EE,35UX,35UG,35UN
C8256	NCB31HK-104X	C CAPACITOR	0.1uF 50V K		R3405	NRSA63J-562X	MG RESISTOR	5.6kΩ 1/16W J	35EE,35UX,35UG,35UN
C8257	NCB31HK-104X	C CAPACITOR	0.1uF 50V K		R3406	NRSA63J-473X	MG RESISTOR	47kΩ 1/16W J	35EE,35UX,35UG,35UN
C8258	QTE1E46-107Z	E CAPACITOR	100uF 25V	20EE,20UW	R3407	NRSA63J-104X	MG RESISTOR	100kΩ 1/16W J	35EE,35UX,35UG,35UN
R1001	NRSA63J-221X	MG RESISTOR	220Ω 1/16W J		△ R3408	QRJ146J-4R7X	UNF C RESISTOR	4.7Ω 1/4W J	35EE,35UX,35UG,35UN
R1002	NRSA63J-221X	MG RESISTOR	220Ω 1/16W J		△ R3409	QRJ146J-4R7X	UNF C RESISTOR	4.7Ω 1/4W J	35EE,35UX,35UG,35UN
R1003	NRSA63J-221X	MG RESISTOR	220Ω 1/16W J		R3501	NRSA63J-0R0X	MG RESISTOR	0Ω 1/16W J	35EE,35UX,35UG,35UN
R1005	NRSA63J-103X	MG RESISTOR	10kΩ 1/16W J		R3503	NRSA63J-473X	MG RESISTOR	47kΩ 1/16W J	35EE,35UX,35UG,35UN
R1006	NRSA63J-102X	MG RESISTOR	1kΩ 1/16W J		R3504	NRSA63J-473X	MG RESISTOR	47kΩ 1/16W J	35EE,35UX,35UG,35UN
R1007	NRSA63J-102X	MG RESISTOR	1kΩ 1/16W J		R3508	NRSA63J-102X	MG RESISTOR	1kΩ 1/16W J	35EE,35UX,35UG,35UN
R1008	NRSA63J-102X	MG RESISTOR	1kΩ 1/16W J		R3509	NRSA63J-563X	MG RESISTOR	56kΩ 1/16W J	35EE,35UX,35UG,35UN
R1009	NRSA63J-823X	MG RESISTOR	82kΩ 1/16W J		△ R3511	QRJ146J-561X	UNF C RESISTOR	560Ω 1/4W J	35EE,35UX,35UG,35UN
R1013	NRSA63J-103X	MG RESISTOR	10kΩ 1/16W J		R3601	NRSA63J-0R0X	MG RESISTOR	0Ω 1/16W J	35EE,35UX,35UG,35UN
R1014	NRSA63J-103X	MG RESISTOR	10kΩ 1/16W J		R3604	NRSA63J-103X	MG RESISTOR	10kΩ 1/16W J	35EE,35UX,35UG,35UN
R1101	NRSA63J-102X	MG RESISTOR	1kΩ 1/16W J		R3605	NRSA63J-102X	MG RESISTOR	1kΩ 1/16W J	35EE,35UX,35UG,35UN
R1102	NRSA63J-102X	MG RESISTOR	1kΩ 1/16W J		R3606	NRSA63J-563X	MG RESISTOR	56kΩ 1/16W J	35EE,35UX,35UG,35UN
R1103	NRSA63J-122X	MG RESISTOR	1.2kΩ 1/16W J		△ R3611	QRJ146J-561X	UNF C RESISTOR	560Ω 1/4W J	35EE,35UX,35UG,35UN
R1104	NRSA63J-152X	MG RESISTOR	1.5kΩ 1/16W J		R3701	NRSA63J-0R0X	MG RESISTOR	0Ω 1/16W J	35EE,35UX,35UG,35UN
R1105	NRSA63J-222X	MG RESISTOR	2.2kΩ 1/16W J		R3704	NRSA63J-103X	MG RESISTOR	10kΩ 1/16W J	35EE,35UX,35UG,35UN
R1106	NRSA63J-272X	MG RESISTOR	2.7kΩ 1/16W J		R3705	NRSA63J-102X	MG RESISTOR	1kΩ 1/16W J	35EE,35UX,35UG,35UN
R1107	NRSA63J-392X	MG RESISTOR	3.9kΩ 1/16W J		R3706	NRSA63J-563X	MG RESISTOR	56kΩ 1/16W J	35EE,35UX,35UG,35UN
R1108	NRSA63J-562X	MG RESISTOR	5.6kΩ 1/16W J		△ R3711	QRJ146J-561X	UNF C RESISTOR	560Ω 1/4W J	35EE,35UX,35UG,35UN
R1109	NRSA63J-103X	MG RESISTOR	10kΩ 1/16W J		R3804	NRSA63J-332X	MG RESISTOR	3.3kΩ 1/16W J	35EE,35UX,35UG,35UN
R1110	NRSA63J-183X	MG RESISTOR	18kΩ 1/16W J		R3805	NRSA63J-103X	MG RESISTOR	10kΩ 1/16W J	35EE,35UX,35UG,35UN
R1201	NRSA63J-102X	MG RESISTOR	1kΩ 1/16W J		R3806	NRSA63J-332X	MG RESISTOR	3.3kΩ 1/16W J	35EE,35UX,35UG,35UN
R1202	NRSA63J-102X	MG RESISTOR	1kΩ 1/16W J						
R1203	NRSA63J-122X	MG RESISTOR	1.2kΩ 1/16W J						
R1204	NRSA63J-152X	MG RESISTOR	1.5kΩ 1/16W J						
R1205	NRSA63J-222X	MG RESISTOR	2.2kΩ 1/16W J						
R1206	NRSA63J-272X	MG RESISTOR	2.7kΩ 1/16W J						
R1207	NRSA63J-392X	MG RESISTOR	3.9kΩ 1/16W J						
R1208	NRSA63J-562X	MG RESISTOR	5.6kΩ 1/16W J						
R1209	NRSA63J-103X	MG RESISTOR	10kΩ 1/16W J						
R1301	NRSA63J-102X	MG RESISTOR	1kΩ 1/16W J						
R1302	NRSA63J-102X	MG RESISTOR	1kΩ 1/16W J						
R1303	NRSA63J-122X	MG RESISTOR	1.2kΩ 1/16W J						
R1304	NRSA63J-152X	MG RESISTOR	1.5kΩ 1/16W J						
R1305	NRSA63J-222X	MG RESISTOR	2.2kΩ 1/16W J						
R1306	NRSA63J-272X	MG RESISTOR	2.7kΩ 1/16W J						
R1307	NRSA63J-392X	MG RESISTOR	3.9kΩ 1/16W J						
R1308	NRSA63J-562X	MG RESISTOR	5.6kΩ 1/16W J						
R1309	NRSA63J-103X	MG RESISTOR	10kΩ 1/16W J						
△ R3101	QRJ146J-101X	UNF C RESISTOR	100Ω 1/4W J	35EE,35UX,35UG,35UN					
△ R3102	QRJ146J-101X	UNF C RESISTOR	100Ω 1/4W J	35EE,35UX,35UG,35UN					
△ R3201	QRZ0224-R22	EMIT RESISTOR	0.22Ω	35EE,35UX,35UG,35UN					
R3202	NRSA63J-563X	MG RESISTOR	56kΩ 1/16W J	35EE,35UX,35UG,35UN					
R3203	NRSA63J-102X	MG RESISTOR	1kΩ 1/16W J	35EE,35UX,35UG,35UN					
R3204	NRSA63J-102X	MG RESISTOR	1kΩ 1/16W J	35EE,35UX,35UG,35UN					
R3205	NRSA63J-562X	MG RESISTOR	5.6kΩ 1/16W J	35EE,35UX,35UG,35UN					



△ Symbol No.	Part No.	Part Name	Description	Local	△ Symbol No.	Part No.	Part Name	Description	Local
R3807	NRSA63J-103X	MG RESISTOR	10kΩ 1/16W J	35EE,35UX, 35UG,35UN	R7440	NRSA63J-472X	MG RESISTOR	4.7kΩ 1/16W J	
R3808	NRSA63J-332X	MG RESISTOR	3.3kΩ 1/16W J	35EE,35UX, 35UG,35UN	R7441	NRSA63J-102X	MG RESISTOR	1kΩ 1/16W J	
R3809	NRSA63J-103X	MG RESISTOR	10kΩ 1/16W J	35EE,35UX, 35UG,35UN	R7442	NRSA63J-124X	MG RESISTOR	120kΩ 1/16W J	
R3905	NRSA63J-152X	MG RESISTOR	1.5kΩ 1/16W J	35EE,35UX, 35UG,35UN	R7443	NRSA63J-472X	MG RESISTOR	4.7kΩ 1/16W J	
R7001	NRSA63J-103X	MG RESISTOR	10kΩ 1/16W J	35EE,35UX, 35UG,35UN	R7444	NRSA63J-512X	MG RESISTOR	5.1kΩ 1/16W J	
R7002	NRSA63J-223X	MG RESISTOR	22kΩ 1/16W J	35EE,35UX, 35UG,35UN	R7502	NRSA63J-332X	MG RESISTOR	3.3kΩ 1/16W J	35EE,35UX, 35UG,35UN, 10EE
R7003	NRSA63J-223X	MG RESISTOR	22kΩ 1/16W J	35EE,35UX, 35UG,35UN	R7502	NRSA63J-392X	MG RESISTOR	3.9kΩ 1/16W J	20EE,20UW
R7004	NRSA63J-103X	MG RESISTOR	10kΩ 1/16W J	35EE,35UX, 35UG,35UN	R7503	NRSA63J-182X	MG RESISTOR	1.8kΩ 1/16W J	35EE,35UX, 35UG,35UN, 10EE
R7005	NRSA63J-682X	MG RESISTOR	6.8kΩ 1/16W J	35EE,35UX, 35UG,35UN	R7503	NRSA63J-222X	MG RESISTOR	2.2kΩ 1/16W J	20EE,20UW
R7050	QRJ146J-332X	UNF C RESISTOR	3.3kΩ 1/4W J		R7504	NRSA63J-473X	MG RESISTOR	47kΩ 1/16W J	35EE,35UX, 35UG,35UN, 20EE,20UW
R7051	QRJ146J-332X	UNF C RESISTOR	3.3kΩ 1/4W J		R7509	NRSA63J-124X	MG RESISTOR	120kΩ 1/16W J	20EE,20UW
R7100	NRSA63J-473X	MG RESISTOR	47kΩ 1/16W J	35EE,35UX, 35UG,35UN	R7512	NRSA63J-332X	MG RESISTOR	3.3kΩ 1/16W J	35EE,35UX, 35UG,35UN, 10EE
R7101	NRSA63J-473X	MG RESISTOR	47kΩ 1/16W J	35EE,35UX, 35UG,35UN	R7512	NRSA63J-392X	MG RESISTOR	3.9kΩ 1/16W J	20EE,20UW
R7102	NRSA63J-223X	MG RESISTOR	22kΩ 1/16W J	35EE,35UX, 35UG,35UN	R7513	NRSA63J-182X	MG RESISTOR	1.8kΩ 1/16W J	35EE,35UX, 35UG,35UN, 10EE
R7103	NRSA63J-823X	MG RESISTOR	82kΩ 1/16W J	35EE,35UX, 35UG,35UN	R7513	NRSA63J-222X	MG RESISTOR	2.2kΩ 1/16W J	20EE,20UW
R7110	NRSA63J-473X	MG RESISTOR	47kΩ 1/16W J	35EE,35UX, 35UG,35UN	R7514	NRSA63J-473X	MG RESISTOR	47kΩ 1/16W J	35EE,35UX, 35UG,35UN, 20EE,20UW
R7111	NRSA63J-473X	MG RESISTOR	47kΩ 1/16W J	35EE,35UX, 35UG,35UN	R7515	NRSA63J-223X	MG RESISTOR	22kΩ 1/16W J	
R7112	NRSA63J-223X	MG RESISTOR	22kΩ 1/16W J	35EE,35UX, 35UG,35UN	R7516	NRSA63J-103X	MG RESISTOR	10kΩ 1/16W J	
R7113	NRSA63J-823X	MG RESISTOR	82kΩ 1/16W J	35EE,35UX, 35UG,35UN	R7519	NRSA63J-184X	MG RESISTOR	180kΩ 1/16W J	35EE,35UX, 35UG,35UN, 10EE
R7300	NRSA63J-822X	MG RESISTOR	8.2kΩ 1/16W J		R7519	NRSA63J-124X	MG RESISTOR	120kΩ 1/16W J	20EE,20UW
R7301	NRSA63J-912X	MG RESISTOR	9.1kΩ 1/16W J	35EE,35UX, 35UG,35UN, 10EE	R7600	NRSA63J-243X	MG RESISTOR	24kΩ 1/16W J	
R7301	NRSA63J-752X	MG RESISTOR	7.5kΩ 1/16W J	20EE,20UW	R7601	NRSA63J-0R0X	MG RESISTOR	0Ω 1/16W J	
R7310	NRSA63J-822X	MG RESISTOR	8.2kΩ 1/16W J		R7605	NRSA63J-393X	MG RESISTOR	39kΩ 1/16W J	
R7311	NRSA63J-912X	MG RESISTOR	9.1kΩ 1/16W J	35EE,35UX, 35UG,35UN, 10EE	R7610	NRSA63J-243X	MG RESISTOR	24kΩ 1/16W J	
R7311	NRSA63J-752X	MG RESISTOR	7.5kΩ 1/16W J	20EE,20UW	R7615	NRSA63J-393X	MG RESISTOR	39kΩ 1/16W J	
R7321	NRSA63J-332X	MG RESISTOR	3.3kΩ 1/16W J	35EE,35UX, 35UG,35UN, 10EE	R7616	NRSA63J-0R0X	MG RESISTOR	0Ω 1/16W J	
R7321	NRSA63J-272X	MG RESISTOR	2.7kΩ 1/16W J	20EE,20UW	R7620	NRSA63J-103X	MG RESISTOR	10kΩ 1/16W J	
R7322	NRSA63J-182X	MG RESISTOR	1.8kΩ 1/16W J	35EE,35UX, 35UG,35UN, 10EE	R7624	NRSA63J-0R0X	MG RESISTOR	0Ω 1/16W J	
R7322	NRSA63J-222X	MG RESISTOR	2.2kΩ 1/16W J	20EE,20UW	R7630	NRSA63J-103X	MG RESISTOR	10kΩ 1/16W J	
R7331	NRSA63J-332X	MG RESISTOR	3.3kΩ 1/16W J	35EE,35UX, 35UG,35UN, 10EE	R7634	NRSA63J-0R0X	MG RESISTOR	0Ω 1/16W J	
R7331	NRSA63J-272X	MG RESISTOR	2.7kΩ 1/16W J	20EE,20UW	R7642	NRSA63J-823X	MG RESISTOR	82kΩ 1/16W J	
R7332	NRSA63J-182X	MG RESISTOR	1.8kΩ 1/16W J	35EE,35UX, 35UG,35UN, 10EE	R7643	NRSA63J-472X	MG RESISTOR	4.7kΩ 1/16W J	
R7332	NRSA63J-222X	MG RESISTOR	2.2kΩ 1/16W J	20EE,20UW	R7644	NRSA63J-512X	MG RESISTOR	5.1kΩ 1/16W J	
R7344	NRSA63J-103X	MG RESISTOR	10kΩ 1/16W J		R7700	NRSA63J-102X	MG RESISTOR	1kΩ 1/16W J	35EE,35UX, 35UG,35UN
R7345	NRSA63J-103X	MG RESISTOR	10kΩ 1/16W J		R7700	NRSA63J-222X	MG RESISTOR	2.2kΩ 1/16W J	20EE,20UW ,10EE
R7400	NRSA63J-243X	MG RESISTOR	24kΩ 1/16W J		R7701	NRSA63J-223X	MG RESISTOR	22kΩ 1/16W J	35EE,35UX, 35UG,35UN, 10EE
R7401	NRSA63J-0R0X	MG RESISTOR	0Ω 1/16W J		R7701	NRSA63J-473X	MG RESISTOR	47kΩ 1/16W J	20EE,20UW
R7405	NRSA63J-393X	MG RESISTOR	39kΩ 1/16W J		R7710	NRSA63J-102X	MG RESISTOR	1kΩ 1/16W J	35EE,35UX, 35UG,35UN
R7406	NRSA63J-0R0X	MG RESISTOR	0Ω 1/16W J		R7710	NRSA63J-222X	MG RESISTOR	2.2kΩ 1/16W J	20EE,20UW ,10EE
R7410	NRSA63J-243X	MG RESISTOR	24kΩ 1/16W J		R7711	NRSA63J-223X	MG RESISTOR	22kΩ 1/16W J	35EE,35UX, 35UG,35UN, 10EE
R7411	NRSA63J-0R0X	MG RESISTOR	0Ω 1/16W J		R7711	NRSA63J-473X	MG RESISTOR	47kΩ 1/16W J	20EE,20UW
R7415	NRSA63J-393X	MG RESISTOR	39kΩ 1/16W J		R7750	NRSA63J-222X	MG RESISTOR	2.2kΩ 1/16W J	35EE,35UX, 35UG,35UN
R7416	NRSA63J-0R0X	MG RESISTOR	0Ω 1/16W J		R7750	NRSA63J-332X	MG RESISTOR	3.3kΩ 1/16W J	20EE,20UW
R7420	NRSA63J-472X	MG RESISTOR	4.7kΩ 1/16W J	35EE,35UX, 35UG,35UN, 10EE	R7751	NRSA63J-243X	MG RESISTOR	24kΩ 1/16W J	35EE,35UX, 35UG,35UN
R7420	NRSA63J-622X	MG RESISTOR	6.2kΩ 1/16W J	20EE,20UW	R7751	NRSA63J-473X	MG RESISTOR	47kΩ 1/16W J	20EE,20UW
R7424	NRSA63J-0R0X	MG RESISTOR	0Ω 1/16W J		R7800	NRSA63J-823X	MG RESISTOR	82kΩ 1/16W J	35EE,35UX, 35UG,35UN
R7430	NRSA63J-472X	MG RESISTOR	4.7kΩ 1/16W J	35EE,35UX, 35UG,35UN, 10EE	R7800	NRSA63J-183X	MG RESISTOR	18kΩ 1/16W J	20EE,20UW
R7430	NRSA63J-622X	MG RESISTOR	6.2kΩ 1/16W J	20EE,20UW	R7802	NRSA63J-0R0X	MG RESISTOR	0Ω 1/16W J	35EE,35UX, 35UG,35UN
R7434	NRSA63J-0R0X	MG RESISTOR	0Ω 1/16W J		R7802	NRSA63J-223X	MG RESISTOR	22kΩ 1/16W J	20EE,20UW
R7434	NRSA63J-223X	MG RESISTOR	22kΩ 1/16W J		R7803	NRSA63J-0R0X	MG RESISTOR	0Ω 1/16W J	35EE,35UX, 35UG,35UN

△ Symbol No.	Part No.	Part Name	Description	Local	△ Symbol No.	Part No.	Part Name	Description	Local
R7804	NRSA63J-0R0X	MG RESISTOR	0Ω 1/16W J	35EE,35UX, 35UG,35UN	L8250	QLZ035-R39	COIL	0.39uH	20EE,20UW
R7805	NRSA63J-0R0X	MG RESISTOR	0Ω 1/16W J	20EE,20UW	CN101	QGF1036F2-13	CONNECTOR	FFC/FPC (1-13)	
R7806	NRSA63J-103X	MG RESISTOR	10kΩ 1/16W J	35EE,35UX, 35UG,35UN	CN310	QGF1205C2-17	CONNECTOR	FFC/FPC (1-17)	35EE,35UX, 35UG,35UN
R7807	NRSA63J-0R0X	MG RESISTOR	0Ω 1/16W J	20EE,20UW	CN320	QGF1036F2-08	CONNECTOR	FFC/FPC (1-8)	35EE,35UX, 35UG,35UN
R8000	NRSA63J-104X	MG RESISTOR	100kΩ 1/16W J		CN700	QGD2504C1-03Z	CONNECTOR	(1-3)	
R8010	NRSA63J-104X	MG RESISTOR	100kΩ 1/16W J		CN701	QGD2504C1-04Z	CONNECTOR	(1-4)	
R8020	NRSA63J-104X	MG RESISTOR	100kΩ 1/16W J		CN702	QGD2504C1-04Z	CONNECTOR	(1-4)	
R8030	NRSA63J-104X	MG RESISTOR	100kΩ 1/16W J		CN705	QGF1205C2-23	CONNECTOR	FFC/FPC (1-23)	35EE,35UX, 35UG,35UN
R8100	NRSA63J-103X	MG RESISTOR	10kΩ 1/16W J		CN705	QGF1205C2-17	CONNECTOR	FFC/FPC (1-17)	20EE,20UW ,10EE
R8101	NRSA63J-104X	MG RESISTOR	100kΩ 1/16W J		CN706	QGF1205C2-21	CONNECTOR	FFC/FPC (1-21)	
R8102	NRSA63J-104X	MG RESISTOR	100kΩ 1/16W J		CN710	QGF1205C2-17	CONNECTOR	FFC/FPC (1-17)	35EE,35UX, 35UG,35UN
R8103	NRSA63J-103X	MG RESISTOR	10kΩ 1/16W J		CN711	QGD2504C1-03Z	CONNECTOR	(1-3)	35EE,35UX, 35UG,35UN
R8104	NRSA63J-103X	MG RESISTOR	10kΩ 1/16W J		CN712	QGD2504C1-03Z	CONNECTOR	(1-3)	35EE,35UX, 35UG,35UN
R8105	NRSA63J-104X	MG RESISTOR	100kΩ 1/16W J		CN730	QGF1036C2-10	CONNECTOR	FFC/FPC (1-10)	
R8200	NRSA63J-682X	MG RESISTOR	6.8kΩ 1/16W J		CN750	QGF1205C2-13	CONNECTOR	FFC/FPC (1-13)	
R8201	NRSA63J-682X	MG RESISTOR	6.8kΩ 1/16W J		CN760	QGD2504C1-05Z	CONNECTOR	(1-5)	
R8202	NRSA63J-682X	MG RESISTOR	6.8kΩ 1/16W J		EP301	GV40327-001A	IC BOARD HOLDER		35EE,35UX, 35UG,35UN
R8203	NRSA63J-682X	MG RESISTOR	6.8kΩ 1/16W J		EP700	GV40327-001A	IC BOARD HOLDER		
△ R8204	QRJ146J-101X	UNF C RESISTOR	100Ω 1/4W J		FL100	QLF0187-001	FL TUBE		
△ R8205	QRJ146J-101X	UNF C RESISTOR	100Ω 1/4W J		FW101	QUM023-12Z4Z4-E	FLAT WIRE		
R8210	NRSA63J-102X	MG RESISTOR	1kΩ 1/16W J		FW102	QUM026-17Z4Z4-E	FLAT WIRE		
R8211	NRSA63J-563X	MG RESISTOR	56kΩ 1/16W J		FW103	QUM023-10Z4Z4-E	FLAT WIRE		
△ R8212	QRJ146J-471X	UNF C RESISTOR	470Ω 1/4W J		FW104	QUM024-09DGZ4-E	FLAT WIRE		
R8213	NRSA63J-563X	MG RESISTOR	56kΩ 1/16W J		FW711	QUM156-09DGZ4-E	FLAT WIRE		35EE,35UX, 35UG,35UN
△ R8214	QRZ0224-R22	EMIT RESISTOR	0.22Ω		FW720	QUM023-13Z4Z4-E	FLAT WIRE		
R8215	NRSA63J-202X	MG RESISTOR	2kΩ 1/16W J		J700	QNB0314-001	SPK TERMINAL		35EE,35UX, 35UG,35UN, 10EE
R8217	NRSA63J-102X	MG RESISTOR	1kΩ 1/16W J		J1101	QSW1060-001	ROTARY SW		20EE,20UW
R8218	NRSA63J-562X	MG RESISTOR	5.6kΩ 1/16W J		J3001	QNB0315-002	SPEAKER JACK		35EE,35UX, 35UG,35UN
R8219	NRSA63J-473X	MG RESISTOR	47kΩ 1/16W J		K3001	QQR0621-001Z	COIL		35EE,35UX, 35UG,35UN
R8220	NRSA63J-102X	MG RESISTOR	1kΩ 1/16W J		PP701	QNZ0104-001	POST PIN		20EE,20UW ,10EE
R8221	NRSA63J-563X	MG RESISTOR	56kΩ 1/16W J		PP702	QNZ0104-001	POST PIN		35EE,35UX, 35UG,35UN
△ R8222	QRJ146J-471X	UNF C RESISTOR	470Ω 1/4W J		RY391	QSK0127-001	RELAY		35EE,35UX, 35UG,35UN
R8223	NRSA63J-563X	MG RESISTOR	56kΩ 1/16W J		RY392	QSK0127-001	RELAY		35EE,35UX, 35UG,35UN
△ R8224	QRZ0224-R22	EMIT RESISTOR	0.22Ω		RY840	QSK0127-001	RELAY		20EE,20UW
R8225	NRSA63J-202X	MG RESISTOR	2kΩ 1/16W J		RY850	QSK0127-001	RELAY		
R8227	NRSA63J-102X	MG RESISTOR	1kΩ 1/16W J		S1101	QSW0683-001Z	PUSH SW		
R8228	NRSA63J-562X	MG RESISTOR	5.6kΩ 1/16W J		S1102	QSW0683-001Z	PUSH SW		
R8229	NRSA63J-473X	MG RESISTOR	47kΩ 1/16W J		S1103	QSW0683-001Z	PUSH SW		
△ R8230	QRJ146J-100X	UNF C RESISTOR	10Ω 1/4W J		S1104	QSW0683-001Z	PUSH SW		
△ R8231	QRJ146J-100X	UNF C RESISTOR	10Ω 1/4W J		S1105	QSW0683-001Z	PUSH SW		
R8232	NRSA63J-104X	MG RESISTOR	100kΩ 1/16W J		S1106	QSW0683-001Z	PUSH SW		
△ R8240	QRJ146J-100X	UNF C RESISTOR	10Ω 1/4W J		S1107	QSW0683-001Z	PUSH SW		
△ R8241	QRJ146J-100X	UNF C RESISTOR	10Ω 1/4W J		S1108	QSW0683-001Z	PUSH SW		
R8242	NRSA63J-104X	MG RESISTOR	100kΩ 1/16W J		S1109	QSW0683-001Z	PUSH SW		
R8250	NRSA63J-102X	MG RESISTOR	1kΩ 1/16W J	20EE,20UW	S1110	QSW0683-001Z	PUSH SW		
R8251	NRSA63J-563X	MG RESISTOR	56kΩ 1/16W J	20EE,20UW	S1111	QSW0683-001Z	PUSH SW		
△ R8252	QRJ146J-471X	UNF C RESISTOR	470Ω 1/4W J	20EE,20UW	S1201	QSW0683-001Z	PUSH SW		
R8253	NRSA63J-563X	MG RESISTOR	56kΩ 1/16W J	20EE,20UW	S1202	QSW0683-001Z	PUSH SW		
△ R8254	QRZ0224-R22	EMIT RESISTOR	0.22Ω	20EE,20UW	S1203	QSW0683-001Z	PUSH SW		
R8255	NRSA63J-202X	MG RESISTOR	2kΩ 1/16W J	20EE,20UW	S1204	QSW0683-001Z	PUSH SW		
R8257	NRSA63J-102X	MG RESISTOR	1kΩ 1/16W J	20EE,20UW	S1205	QSW0683-001Z	PUSH SW		
R8258	NRSA63J-562X	MG RESISTOR	5.6kΩ 1/16W J	20EE,20UW	S1206	QSW0683-001Z	PUSH SW		
R8259	NRSA63J-473X	MG RESISTOR	47kΩ 1/16W J	20EE,20UW	S1207	QSW0683-001Z	PUSH SW		
△ R8260	QRJ146J-100X	UNF C RESISTOR	10Ω 1/4W J	20EE,20UW	S1208	QSW0683-001Z	PUSH SW		
△ R8261	QRJ146J-100X	UNF C RESISTOR	10Ω 1/4W J	20EE,20UW	S1209	QSW0683-001Z	PUSH SW		
R8262	NRSA63J-104X	MG RESISTOR	100kΩ 1/16W J	20EE,20UW	S1210	QSW0683-001Z	PUSH SW		
R8300	NRSA63J-104X	MG RESISTOR	100kΩ 1/16W J	35EE,35UX, 35UG,35UN	S1301	QSW0683-001Z	PUSH SW		
R8300	NRSA63J-823X	MG RESISTOR	82kΩ 1/16W J	20EE,20UW ,10EE	S1302	QSW0683-001Z	PUSH SW		
R8301	NRSA63J-104X	MG RESISTOR	100kΩ 1/16W J	35EE,35UX, 35UG,35UN	S1303	QSW0683-001Z	PUSH SW		
R8301	NRSA63J-823X	MG RESISTOR	82kΩ 1/16W J	20EE,20UW ,10EE	S1304	QSW0683-001Z	PUSH SW		
R8310	NRSA63J-822X	MG RESISTOR	8.2kΩ 1/16W J						
R8311	NRSA63J-153X	MG RESISTOR	15kΩ 1/16W J						
R8320	NRSA63J-822X	MG RESISTOR	8.2kΩ 1/16W J						
R8321	NRSA63J-153X	MG RESISTOR	15kΩ 1/16W J						
L3201	QLZ035-R39	COIL	0.39uH	35EE,35UX, 35UG,35UN					
L3301	QLZ035-R39	COIL	0.39uH	35EE,35UX, 35UG,35UN					
L3401	QLZ035-R39	COIL	0.39uH	35EE,35UX, 35UG,35UN					
L8210	QLZ035-R39	COIL	0.39uH						
L8220	QLZ035-R39	COIL	0.39uH						

△ Symbol No.	Part No.	Part Name	Description	Local	△ Symbol No.	Part No.	Part Name	Description	Local
S1305	QSW0683-001Z	PUSH SW			D6301	MTZJ13B-T2	Z DIODE		
S1306	QSW0683-001Z	PUSH SW			D6401	MTZJ6.2B-T2	Z DIODE		
S1307	QSW0683-001Z	PUSH SW			D6501	MTZJ6.2B-T2	Z DIODE		
S1308	QSW0683-001Z	PUSH SW			D6602	UDZW3.9B-X	Z DIODE		
S1309	QSW0683-001Z	PUSH SW			D6701	MA111-X	SI DIODE		
S1310	QSW0683-001Z	PUSH SW							

## Micon board(Only DX-J35)

Block No. [0][2]

△ Symbol No.	Part No.	Part Name	Description	Local	△ Symbol No.	Part No.	Part Name	Description	Local
IC250	R2A15907SP-X	POWER IC			C2500	QETN1HM-105Z	E CAPACITOR	1uF 50V M	
IC251	NJM4565E-X	IC			C2501	QETN1HM-105Z	E CAPACITOR	1uF 50V M	
IC500	-----	MICON IC			C2503	NDC31HJ-101X	C CAPACITOR	100pF 50V J	
IC540	BR24L08F-W-X	IC(DIGITAL)			C2504	QETN1HM-224Z	E CAPACITOR	0.22uF 50V M	
△ IC610	KIA7812API	IC			C2505	QETN1HM-105Z	E CAPACITOR	1uF 50V M	
△ IC620	KIA7809API	IC			C2510	NCB31HK-332X	C CAPACITOR	3300pF 50V K	
△ IC630	KIA278R09PI	IC			C2511	NCB31HK-681X	C CAPACITOR	680pF 50V K	
△ IC640	KIA278R05PI	IC			C2512	QETN1HM-105Z	E CAPACITOR	1uF 50V M	
△ IC650	KIA7806API	IC			C2514	NCB31HK-681X	C CAPACITOR	680pF 50V K	
IC920	MM1623XF-X	IC			C2515	NCB31HK-332X	C CAPACITOR	3300pF 50V K	
					C2516	NCB31CK-104X	C CAPACITOR	0.1uF 16V K	
Q2800	KTC3203/OY/-T	TRANSISTOR			C2517	QETN1HM-105Z	E CAPACITOR	1uF 50V M	
Q4501	KTA1046/Y/	TRANSISTOR			C2518	QETN1HM-105Z	E CAPACITOR	1uF 50V M	
Q4502	KTC3203/OY/-T	TRANSISTOR			C2519	NCB31CK-104X	C CAPACITOR	0.1uF 16V K	
Q5301	RT1N141C-X	DIGI TRANSISTOR			C2520	NCB31CK-104X	C CAPACITOR	0.1uF 16V K	
Q6601	KTC3203/OY/-T	TRANSISTOR			C2521	NCB31CK-104X	C CAPACITOR	0.1uF 16V K	
Q6701	KTA1271/OY/-T	TRANSISTOR			C2523	NCB31HK-471X	C CAPACITOR	470pF 50V K	
Q6702	RT1N140C-X	DIGI TRANSISTOR			C2524	NCB31HK-471X	C CAPACITOR	470pF 50V K	
Q9700	RT6N430C-X	TRANSISTOR			C2525	QETN1HM-106Z	E CAPACITOR	10uF 50V M	
Q9701	RT6N430C-X	TRANSISTOR			C2600	NCB31CK-104X	C CAPACITOR	0.1uF 16V K	
Q9710	RT6N430C-X	TRANSISTOR			C2601	QETN1HM-475Z	E CAPACITOR	4.7uF 50V M	
Q9711	RT6N430C-X	TRANSISTOR			C2700	NCB31HK-152X	C CAPACITOR	1500pF 50V K	
Q9720	RT1P140C-X	DIGI TRANSISTOR			C2701	NCB31AK-154X	C CAPACITOR	0.15uF 10V K	
					C2702	QETN1HM-105Z	E CAPACITOR	1uF 50V M	
					C2703	QETN1HM-105Z	E CAPACITOR	1uF 50V M	
D2900	MA111-X	SI DIODE			C2800	QETN1HM-106Z	E CAPACITOR	10uF 50V M	
D2901	MA111-X	SI DIODE			C2801	QETN1HM-106Z	E CAPACITOR	10uF 50V M	
△ D4101	1N5402M-20	SI DIODE			C2900	QETN1HM-106Z	E CAPACITOR	10uF 50V M	
△ D4102	1N5402M-20	SI DIODE			C2901	QETN1HM-105Z	E CAPACITOR	1uF 50V M	
△ D4103	1N5402M-20	SI DIODE			C2902	QETN1HM-105Z	E CAPACITOR	1uF 50V M	
△ D4104	1N5402M-20	SI DIODE			C2903	QETN1HM-106Z	E CAPACITOR	10uF 50V M	
△ D4201	1N5402M-20	SI DIODE			C2952	NCB31CK-104X	C CAPACITOR	0.1uF 16V K	
△ D4202	1N5402M-20	SI DIODE			C4101	QFNC2AJ-104Z	M CAPACITOR	0.1uF 100V J	
△ D4203	1N5402M-20	SI DIODE			C4102	QFNC2AJ-104Z	M CAPACITOR	0.1uF 100V J	
△ D4204	1N5402M-20	SI DIODE			C4103	QFNC2AJ-104Z	M CAPACITOR	0.1uF 100V J	
△ D4301	1N5402M-20	SI DIODE			C4201	QFNC2AJ-104Z	M CAPACITOR	0.1uF 100V J	
△ D4302	1N5402M-20	SI DIODE			C4202	QFNC2AJ-104Z	M CAPACITOR	0.1uF 100V J	
△ D4303	1N5402M-20	SI DIODE			C4203	QFNC2AJ-104Z	M CAPACITOR	0.1uF 100V J	
△ D4304	1N5402M-20	SI DIODE			C4301	QFNC2AJ-104Z	M CAPACITOR	0.1uF 100V J	
D4501	1N4003S-T5	SI DIODE			C4501	NCB31HK-104X	C CAPACITOR	0.1uF 50V K	
D4502	1N4003S-T5	SI DIODE			C4502	QETN1JM-107Z	E CAPACITOR	100uF 63V M	
D4503	1N4003S-T5	SI DIODE			C4503	QETN2AM-476Z	E CAPACITOR	47uF 100V M	
D4504	UDZW33B-X	Z DIODE			C4504	QETN1HM-226Z	E CAPACITOR	22uF 50V M	
D4506	UDZW6.2B-X	Z DIODE			C4505	QETN1HM-226Z	E CAPACITOR	22uF 50V M	
D5000	1N4003S-T5	SI DIODE			C4506	NDC31HJ-101X	C CAPACITOR	100pF 50V J	
D5043	UDZW3.9B-X	Z DIODE			C4507	QETN1HM-106Z	E CAPACITOR	10uF 50V M	
D5099	UDZW5.1B-X	SB DIODE			C4511	QETN1HM-226Z	E CAPACITOR	22uF 50V M	
D5100	1N4003S-T5	SI DIODE			C4512	QETN1HM-226Z	E CAPACITOR	22uF 50V M	
D5301	MA111-X	SI DIODE			C5012	NDC31HJ-200X	C CAPACITOR	20pF 50V J	
D5503	1N4003S-T5	SI DIODE			C5013	NDC31HJ-220X	C CAPACITOR	22pF 50V J	
D5504	1N4003S-T5	SI DIODE			C5017	NCB31CK-104X	C CAPACITOR	0.1uF 16V K	
D6002	1N4003S-T5	SI DIODE			C5018	NCB31CK-104X	C CAPACITOR	0.1uF 16V K	
D6004	1N4003S-T5	SI DIODE			C5037	NCB31HK-103X	C CAPACITOR	0.01uF 50V K	
D6005	1N4003S-T5	SI DIODE			C5091	NCB31CK-104X	C CAPACITOR	0.1uF 16V K	
D6006	1N4003S-T5	SI DIODE			C5117	QETN1CM-107Z	E CAPACITOR	100uF 16V M	
D6007	1N4003S-T5	SI DIODE			C5191	QETN1CM-107Z	E CAPACITOR	100uF 16V M	
D6008	1N4003S-T5	SI DIODE			C5199	QETN1HM-475Z	E CAPACITOR	4.7uF 50V M	
D6009	1N4003S-T5	SI DIODE			C5302	NCB31HK-103X	C CAPACITOR	0.01uF 50V K	
D6010	1N4003S-T5	SI DIODE			C5303	QETN1HM-475Z	E CAPACITOR	4.7uF 50V M	
D6011	1N4003S-T5	SI DIODE			C5304	NCB31HK-102X	C CAPACITOR	1000pF 50V K	
D6012	1N4003S-T5	SI DIODE			C5400	QETN1CM-107Z	E CAPACITOR	100uF 16V M	
D6101	MTZJ13B-T2	Z DIODE			C5411	NCB31HK-471X	C CAPACITOR	470pF 50V K	
D6201	MTZJ13B-T2	Z DIODE			C5421	NCB31HK-471X	C CAPACITOR	470pF 50V K	
					C5430	NCB31CK-104X	C CAPACITOR	0.1uF 16V K	
					C5450	NCB31CK-104X	C CAPACITOR	0.1uF 16V K	
					C5451	NCB31HK-471X	C CAPACITOR	470pF 50V K	
					C6001	QETM1EM-338	E CAPACITOR	3300uF 25V M	
					C6002	QETM1CM-688	E CAPACITOR	6800uF 16V M	
					C6102	QETN1CM-107Z	E CAPACITOR	100uF 16V M	
					C6202	QETN1AM-477Z	E CAPACITOR	470uF 10V M	
					C6203	QETN1AM-477Z	E CAPACITOR	470uF 10V M	
					C6302	QETN1CM-107Z	E CAPACITOR	100uF 16V M	

△ Symbol No.	Part No.	Part Name	Description	Local	△ Symbol No.	Part No.	Part Name	Description	Local
C6402	QETN1CM-107Z	E CAPACITOR	100uF 16V M		R5028	NRSA63J-102X	MG RESISTOR	1kΩ 1/16W J	
C6502	QETNOJM-108Z	E CAPACITOR	1000uF 6.3V M		R5030	NRSA63J-102X	MG RESISTOR	1kΩ 1/16W J	
C6601	QETN1CM-107Z	E CAPACITOR	100uF 16V M		R5038	NRSA63J-102X	MG RESISTOR	1kΩ 1/16W J	
C6602	QETN1CM-107Z	E CAPACITOR	100uF 16V M		R5042	NRSA63J-102X	MG RESISTOR	1kΩ 1/16W J	
C9200	QETNOJM-477Z	E CAPACITOR	470uF 6.3V M		R5043	NRSA63J-0R0X	MG RESISTOR	0Ω 1/16W J	
C9201	NCB31HK-103X	C CAPACITOR	0.01uF 50V K		R5044	NRSA63J-102X	MG RESISTOR	1kΩ 1/16W J	
C9204	NCB31HK-103X	C CAPACITOR	0.01uF 50V K		R5046	NRSA63J-102X	MG RESISTOR	1kΩ 1/16W J	
C9206	QETN1HM-105Z	E CAPACITOR	1uF 50V M		R5047	NRSA63J-102X	MG RESISTOR	1kΩ 1/16W J	
C9209	QETN1HM-226Z	E CAPACITOR	22uF 50V M		R5048	NRSA63J-102X	MG RESISTOR	1kΩ 1/16W J	
C9211	QETN1HM-105Z	E CAPACITOR	1uF 50V M		R5049	NRSA63J-102X	MG RESISTOR	1kΩ 1/16W J	
C9213	QETN1HM-105Z	E CAPACITOR	1uF 50V M		R5050	NRSA63J-102X	MG RESISTOR	1kΩ 1/16W J	
C9215	QETN1HM-105Z	E CAPACITOR	1uF 50V M		R5051	NRSA63J-0R0X	MG RESISTOR	0Ω 1/16W J	
C9216	NCB31CK-104X	C CAPACITOR	0.1uF 16V K		R5054	NRSA63J-102X	MG RESISTOR	1kΩ 1/16W J	
C9218	QETNOJM-477Z	E CAPACITOR	470uF 6.3V M		R5055	NRSA63J-0R0X	MG RESISTOR	0Ω 1/16W J	
C9221	QETNOJM-477Z	E CAPACITOR	470uF 6.3V M		R5057	NRSA63J-102X	MG RESISTOR	1kΩ 1/16W J	
C9224	QETNOJM-477Z	E CAPACITOR	470uF 6.3V M		R5058	NRSA63J-0R0X	MG RESISTOR	0Ω 1/16W J	
C9227	QETNOJM-477Z	E CAPACITOR	470uF 6.3V M		R5059	NRSA63J-0R0X	MG RESISTOR	0Ω 1/16W J	
C9230	QETNOJM-477Z	E CAPACITOR	470uF 6.3V M		R5062	NRSA63J-0R0X	MG RESISTOR	0Ω 1/16W J	
C9232	NCB31HK-103X	C CAPACITOR	0.01uF 50V K		R5064	NRSA63J-0R0X	MG RESISTOR	0Ω 1/16W J	
C9712	NCB31CK-104X	C CAPACITOR	0.1uF 16V K		R5065	NRSA63J-0R0X	MG RESISTOR	0Ω 1/16W J	
C9800	NCB31CK-104X	C CAPACITOR	0.1uF 16V K		R5066	NRSA63J-0R0X	MG RESISTOR	0Ω 1/16W J	
C9801	NCB31CK-104X	C CAPACITOR	0.1uF 16V K		R5068	NRSA63J-102X	MG RESISTOR	1kΩ 1/16W J	
C9802	NCB31CK-104X	C CAPACITOR	0.1uF 16V K		R5069	NRSA63J-0R0X	MG RESISTOR	0Ω 1/16W J	
C9803	NCB31CK-104X	C CAPACITOR	0.1uF 16V K		R5070	NRSA63J-0R0X	MG RESISTOR	0Ω 1/16W J	
C9804	NCB31CK-104X	C CAPACITOR	0.1uF 16V K		R5071	NRSA63J-102X	MG RESISTOR	1kΩ 1/16W J	
C9805	NCB31CK-104X	C CAPACITOR	0.1uF 16V K		R5072	NRSA63J-102X	MG RESISTOR	1kΩ 1/16W J	
C9810	NCB31CK-104X	C CAPACITOR	0.1uF 16V K		R5073	NRSA63J-102X	MG RESISTOR	1kΩ 1/16W J	
					R5074	NRSA63J-102X	MG RESISTOR	1kΩ 1/16W J	
R2500	NRSA63J-472X	MG RESISTOR	4.7kΩ 1/16W J		R5075	NRSA63J-102X	MG RESISTOR	1kΩ 1/16W J	
R2501	NRSA63J-472X	MG RESISTOR	4.7kΩ 1/16W J		R5076	NRSA63J-0R0X	MG RESISTOR	0Ω 1/16W J	
R2502	NRSA63J-104X	MG RESISTOR	100kΩ 1/16W J		R5077	NRSA63J-102X	MG RESISTOR	1kΩ 1/16W J	
R2503	NRSA63J-104X	MG RESISTOR	100kΩ 1/16W J		R5079	NRSA63J-101X	MG RESISTOR	100Ω 1/16W J	
R2504	NRSA63J-472X	MG RESISTOR	4.7kΩ 1/16W J		R5081	NRSA63J-101X	MG RESISTOR	100Ω 1/16W J	
R2510	NRSA63J-153X	MG RESISTOR	15kΩ 1/16W J		R5083	NRSA63J-102X	MG RESISTOR	1kΩ 1/16W J	
R2511	NRSA63J-153X	MG RESISTOR	15kΩ 1/16W J		R5084	NRSA63J-102X	MG RESISTOR	1kΩ 1/16W J	
R2512	NRSA63J-153X	MG RESISTOR	15kΩ 1/16W J		R5088	NRSA63J-102X	MG RESISTOR	1kΩ 1/16W J	
R2514	NRSA63J-153X	MG RESISTOR	15kΩ 1/16W J		R5090	NRSA63J-102X	MG RESISTOR	1kΩ 1/16W J	
R2515	NRSA63J-153X	MG RESISTOR	15kΩ 1/16W J		R5092	NRSA63J-102X	MG RESISTOR	1kΩ 1/16W J	
R2516	NRSA63J-153X	MG RESISTOR	15kΩ 1/16W J		R5093	NRSA63J-102X	MG RESISTOR	1kΩ 1/16W J	
R2517	NRSA63J-0R0X	MG RESISTOR	0Ω 1/16W J		R5094	NRSA63J-102X	MG RESISTOR	1kΩ 1/16W J	
R2570	NRSA63J-0R0X	MG RESISTOR	0Ω 1/16W J		R5095	NRSA63J-103X	MG RESISTOR	10kΩ 1/16W J	35UX, 35UG, 35UN
R2571	NRSA63J-0R0X	MG RESISTOR	0Ω 1/16W J						
R2600	NRSA63J-513X	MG RESISTOR	51kΩ 1/16W J		R5096	NRSA63J-103X	MG RESISTOR	10kΩ 1/16W J	
R2601	NRSA63J-243X	MG RESISTOR	24kΩ 1/16W J		R5097	NRSA63J-103X	MG RESISTOR	10kΩ 1/16W J	
R2700	NRSA63J-913X	MG RESISTOR	91kΩ 1/16W J		R5098	NRSA63J-103X	MG RESISTOR	10kΩ 1/16W J	
R2701	NRSA63J-103X	MG RESISTOR	10kΩ 1/16W J		R5099	NRSA63J-103X	MG RESISTOR	10kΩ 1/16W J	
R2702	NRSA63J-103X	MG RESISTOR	10kΩ 1/16W J		R5101	NRSA63J-103X	MG RESISTOR	10kΩ 1/16W J	
R2800	NRSA63J-432X	MG RESISTOR	4.3kΩ 1/16W J		R5102	NRSA63J-103X	MG RESISTOR	10kΩ 1/16W J	
R2801	NRSA63J-103X	MG RESISTOR	10kΩ 1/16W J		R5108	NRSA63J-103X	MG RESISTOR	10kΩ 1/16W J	
R2900	NRSA63J-104X	MG RESISTOR	100kΩ 1/16W J		R5109	NRSA63J-103X	MG RESISTOR	10kΩ 1/16W J	
R2901	NRSA63J-243X	MG RESISTOR	24kΩ 1/16W J		R5138	NRSA63J-103X	MG RESISTOR	10kΩ 1/16W J	
R2902	NRSA63J-513X	MG RESISTOR	51kΩ 1/16W J		R5143	NRSA63J-102X	MG RESISTOR	1kΩ 1/16W J	
R2903	NRSA63J-103X	MG RESISTOR	10kΩ 1/16W J		R5144	NRSA63J-103X	MG RESISTOR	10kΩ 1/16W J	
R2904	NRSA63J-103X	MG RESISTOR	10kΩ 1/16W J		R5147	NRSA63J-103X	MG RESISTOR	10kΩ 1/16W J	
R2905	NRSA63J-102X	MG RESISTOR	1kΩ 1/16W J		R5151	NRSA63J-103X	MG RESISTOR	10kΩ 1/16W J	
R2906	NRSA63J-272X	MG RESISTOR	2.7kΩ 1/16W J		R5154	NRSA63J-103X	MG RESISTOR	10kΩ 1/16W J	
R2907	NRSA63J-104X	MG RESISTOR	100kΩ 1/16W J		R5159	NRSA63J-103X	MG RESISTOR	10kΩ 1/16W J	
R4501	QRJ146J-470X	UNF C RESISTOR	47Ω 1/4W J		R5161	NRSA63J-103X	MG RESISTOR	10kΩ 1/16W J	
R4502	QRJ146J-470X	UNF C RESISTOR	47Ω 1/4W J		R5162	NRSA63J-103X	MG RESISTOR	10kΩ 1/16W J	
R4503	QRJ146J-4R7X	UNF C RESISTOR	4.7Ω 1/4W J		R5190	NRS181J-103X	MG RESISTOR	10kΩ 1/8W J	
R4504	QRE141J-333Y	C RESISTOR	33kΩ 1/4W J		R5192	NRS181J-103X	MG RESISTOR	10kΩ 1/8W J	
R4505	NRSA63J-103X	MG RESISTOR	10kΩ 1/16W J		R5193	NRSA63J-103X	MG RESISTOR	10kΩ 1/16W J	
R5001	NRSA63J-102X	MG RESISTOR	1kΩ 1/16W J		R5194	NRSA63J-103X	MG RESISTOR	10kΩ 1/16W J	
R5002	NRSA63J-102X	MG RESISTOR	1kΩ 1/16W J		R5195	NRSA63J-103X	MG RESISTOR	10kΩ 1/16W J	35EE
R5004	NRSA63J-102X	MG RESISTOR	1kΩ 1/16W J		R5195	NRSA63J-562X	MG RESISTOR	5.6kΩ 1/16W J	35UX, 35UG
R5006	NRSA63J-102X	MG RESISTOR	1kΩ 1/16W J						
R5007	NRSA63J-102X	MG RESISTOR	1kΩ 1/16W J		R5196	NRSA63J-153X	MG RESISTOR	15kΩ 1/16W J	
R5008	NRSA63J-102X	MG RESISTOR	1kΩ 1/16W J		R5198	NRSA63J-103X	MG RESISTOR	10kΩ 1/16W J	
R5009	NRSA63J-102X	MG RESISTOR	1kΩ 1/16W J		R5199	NRSA63J-563X	MG RESISTOR	56kΩ 1/16W J	
R5010	NRSA63J-102X	MG RESISTOR	1kΩ 1/16W J		R5259	NRSA63J-102X	MG RESISTOR	1kΩ 1/16W J	
R5011	NRSA63J-472X	MG RESISTOR	4.7kΩ 1/16W J		R5302	NRSA63J-103X	MG RESISTOR	10kΩ 1/16W J	
R5015	NRSA63J-103X	MG RESISTOR	10kΩ 1/16W J		R5303	NRSA63J-222X	MG RESISTOR	2.2kΩ 1/16W J	
R5020	NRSA63J-102X	MG RESISTOR	1kΩ 1/16W J		R5400	NRSA63J-103X	MG RESISTOR	10kΩ 1/16W J	
R5021	NRSA63J-102X	MG RESISTOR	1kΩ 1/16W J		R5410	NRSA63J-103X	MG RESISTOR	10kΩ 1/16W J	
R5022	NRSA63J-0R0X	MG RESISTOR	0Ω 1/16W J		R5411	NRSA63J-104X	MG RESISTOR	100kΩ 1/16W J	
R5025	NRSA63J-102X	MG RESISTOR	1kΩ 1/16W J		R5420	NRSA63J-103X	MG RESISTOR	10kΩ 1/16W J	
R5026	NRSA63J-102X	MG RESISTOR	1kΩ 1/16W J		R5421	NRSA63J-104X	MG RESISTOR	100kΩ 1/16W J	
R5027	NRSA63J-102X	MG RESISTOR	1kΩ 1/16W J		R5430	NRSA63J-0R0X	MG RESISTOR	0Ω 1/16W J	

△ Symbol No.	Part No.	Part Name	Description	Local
R5431	NRSA63J-394X	MG RESISTOR	390kΩ 1/16W J	
R5440	NRSA63J-0R0X	MG RESISTOR	0Ω 1/16W J	
R5441	NRSA63J-394X	MG RESISTOR	390kΩ 1/16W J	
R5450	NRSA63J-470X	MG RESISTOR	47Ω 1/16W J	
R6301	NRSA63J-102X	MG RESISTOR	1kΩ 1/16W J	
R6302	NRSA63J-103X	MG RESISTOR	10kΩ 1/16W J	
R6601	NRSA63J-471X	MG RESISTOR	470Ω 1/16W J	
R6701	NRSA63J-473X	MG RESISTOR	47kΩ 1/16W J	
R9202	NRSA63J-201X	MG RESISTOR	200Ω 1/16W J	
R9204	NRSA63J-201X	MG RESISTOR	200Ω 1/16W J	
R9206	NRSA63J-201X	MG RESISTOR	200Ω 1/16W J	
R9208	NRSA63J-201X	MG RESISTOR	200Ω 1/16W J	
R9210	NRSA63J-201X	MG RESISTOR	200Ω 1/16W J	
R9218	NRSA63J-750X	MG RESISTOR	75Ω 1/16W J	
R9221	NRSA63J-750X	MG RESISTOR	75Ω 1/16W J	
R9224	NRSA63J-750X	MG RESISTOR	75Ω 1/16W J	
R9227	NRSA63J-750X	MG RESISTOR	75Ω 1/16W J	
R9230	NRSA63J-750X	MG RESISTOR	75Ω 1/16W J	
R9232	NRSA63J-750X	MG RESISTOR	75Ω 1/16W J	
R9700	QRJ146J-681X	UNF C RESISTOR	680Ω 1/4W J	
R9710	QRJ146J-681X	UNF C RESISTOR	680Ω 1/4W J	
CN250	QGF1205F2-13	CONNECTOR	FFC/FPC (1-13)	
CN410	QGA7901C1-02	CONNECTOR	W-B (1-2)	
△ CN420	QSW0812-001	VOLTAGE SWITCH		35UX, 35UG, 35UN
CN430	QGD2504C1-04Z	CONNECTOR	(1-4)	
CN500	QGF1036C2-13	CONNECTOR	FFC/FPC (1-13)	
CN501	QGF1205C2-21	CONNECTOR	FFC/FPC (1-21)	
CN502	QGF1036C2-28	CONNECTOR	FFC/FPC (1-28)	
CN503	QGF1205C2-15	CONNECTOR	FFC/FPC (1-15)	
CN504	QGF1036C2-05	CONNECTOR	FFC/FPC (1-5)	
CN505	QGF1205C2-23	CONNECTOR	FFC/FPC (1-23)	
CN506	QGF1205C2-21	CONNECTOR	FFC/FPC (1-21)	
CN507	QGF1205F2-11	CONNECTOR	FFC/FPC (1-11)	
CN508	QGF1210G1-05	CONNECTOR	FFC/FPC (1-5)	
CN509	QGF1205C2-06	CONNECTOR	FFC/FPC (1-6)	
CN630	QGA2501F1-03	CONNECTOR	W-B (1-3)	
CN931	QGF1205C2-15	CONNECTOR	FFC/FPC (1-15)	
EP401	E409182-001SM	GRAND TERMINAL		35EE
FT411	QNG0003-001Z	FUSE CLIP		
FT412	QNG0003-001Z	FUSE CLIP		
FT415	QNG0003-001Z	FUSE CLIP		
FT416	QNG0003-001Z	FUSE CLIP		
FT417	QNG0003-001Z	FUSE CLIP		
FT418	QNG0003-001Z	FUSE CLIP		
FT421	QNG0003-001Z	FUSE CLIP		
FT422	QNG0003-001Z	FUSE CLIP		
FT425	QNG0003-001Z	FUSE CLIP		
FT426	QNG0003-001Z	FUSE CLIP		
FT427	QNG0003-001Z	FUSE CLIP		
FT428	QNG0003-001Z	FUSE CLIP		
FW400	QUM15B-35DGZ4-E	FLAT WIRE		
FW970	QUM025-19DGZ4-E	FLAT WIRE		
J250	QNS0285-001	POWER IC		
J251	QNS0285-001	POWER IC		
J500	QNN0420-001	SURROUND JACK		
J501	QNN0780-001	PIN JACK		
J970	QNS0266-001	JACK		
J980	QNZ0851-001	USB CONNECTOR		
J9200	QNN0572-001	PIN JACK		
J9300	QNN0557-002	PIN JACK		
JS251	QSW1230-001	MIC ENCODER		
K2702	NQR0022-003X	FERRITE CHIP		
K2703	QQR0621-001Z	COIL		
K2704	NQR0022-003X	FERRITE CHIP		
K2705	QQR0621-001Z	COIL		
K5000	QQR0621-001Z	COIL		
K9700	QQR0621-001Z	COIL		
K9710	QQR0621-001Z	COIL		
K9721	QQR0621-001Z	COIL		
K9800	NQR0022-003X	FERRITE CHIP		
K9801	NQR0022-003X	FERRITE CHIP		
K9802	QQR0621-001Z	COIL		
TW251	QUB130-14DMPP-E	SIN TWIST WIRE		
X5000	QAX0711-002Z	CRYSTAL	8.000000MHz	

## Micon board(Except DX-J35)

Block No. [0][3]

△ Symbol No.	Part No.	Part Name	Description	Local
IC250	R2A15907SP-X	POWER IC		
IC251	NJM4565E-X	IC		
IC500	-----	MICON IC		
IC540	BR24L08F-W-X	IC(DIGITAL)		
△ IC610	KIA7812API	IC		
△ IC620	KIA7809API	IC		
△ IC630	KIA278R09PI	IC		
△ IC640	PQ050RDC2SZF	REGULATOR IC		
△ IC650	KIA7806API	IC		
IC920	MM1623XF-X	IC		
IC930	GP1FAV30TK0F	OPT TRANSMITTER		
Q2800	KTC3203/OY/-T	TRANSISTOR		
Q4501	KTA1046/Y/	TRANSISTOR		
Q4502	KTC3203/OY/-T	TRANSISTOR		
Q5301	RT1N141C-X	DIGI TRANSISTOR		
Q6601	KTC3203/OY/-T	TRANSISTOR		
Q6701	KTA1271/OY/-T	TRANSISTOR		
Q6702	RT1N140C-X	DIGI TRANSISTOR		
Q9700	RT6N430C-X	TRANSISTOR		
Q9701	RT6N430C-X	TRANSISTOR		
Q9710	RT6N430C-X	TRANSISTOR		
Q9711	RT6N430C-X	TRANSISTOR		
Q9720	RT1P140C-X	DIGI TRANSISTOR		
D2900	MA111-X	SI DIODE		
D2901	MA111-X	SI DIODE		
△ D4101	1N5402M-20	SI DIODE		
△ D4102	1N5402M-20	SI DIODE		
△ D4103	1N5402M-20	SI DIODE		
△ D4104	1N5402M-20	SI DIODE		
△ D4201	1N5402M-20	SI DIODE		
△ D4202	1N5402M-20	SI DIODE		
△ D4203	1N5402M-20	SI DIODE		
△ D4204	1N5402M-20	SI DIODE		
△ D4301	1N5402M-20	SI DIODE		
△ D4302	1N5402M-20	SI DIODE		
△ D4303	1N5402M-20	SI DIODE		
△ D4304	1N5402M-20	SI DIODE		
D4501	1N4003S-T5	SI DIODE		
D4502	1N4003S-T5	SI DIODE		
D4503	1N4003S-T5	SI DIODE		
D4504	UDZW33B-X	Z DIODE		
D4506	UDZW6.2B-X	Z DIODE		
D5000	1N4003S-T5	SI DIODE		
D5043	UDZW3.9B-X	Z DIODE		
D5099	UDZW5.1B-X	SB DIODE		
D5100	1N4003S-T5	SI DIODE		
D5301	MA111-X	SI DIODE		
D5503	1N4003S-T5	SI DIODE		
D5504	1N4003S-T5	SI DIODE		
D6002	1N4003S-T5	SI DIODE		
D6005	1N4003S-T5	SI DIODE		
D6006	1N4003S-T5	SI DIODE		
D6007	1N4003S-T5	SI DIODE		
D6008	1N4003S-T5	SI DIODE		
D6009	1N4003S-T5	SI DIODE		
D6010	1N4003S-T5	SI DIODE		
D6011	1N4003S-T5	SI DIODE		
D6012	1N4003S-T5	SI DIODE		
D6101	MTZJ13B-T2	Z DIODE		
D6201	MTZJ13B-T2	Z DIODE		
D6301	MTZJ13B-T2	Z DIODE		
D6401	MTZJ6.2B-T2	Z DIODE		
D6501	MTZJ6.2B-T2	Z DIODE		
D6602	UDZW3.9B-X	Z DIODE		
D6701	MA111-X	SI DIODE		
C2500	QETN1HM-105Z	E CAPACITOR	1uF 50V M	
C2501	QETN1HM-105Z	E CAPACITOR	1uF 50V M	
C2503	NDC31HJ-101X	C CAPACITOR	100pF 50V J	
C2504	QETN1HM-224Z	E CAPACITOR	0.22uF 50V M	
C2505	QETN1HM-105Z	E CAPACITOR	1uF 50V M	

△ Symbol No.	Part No.	Part Name	Description	Local	△ Symbol No.	Part No.	Part Name	Description	Local
C2510	NCB31HK-332X	C CAPACITOR	3300pF 50V K		C9227	QETN0JM-477Z	E CAPACITOR	470uF 6.3V M	
C2511	NCB31HK-681X	C CAPACITOR	680pF 50V K		C9230	QETN0JM-477Z	E CAPACITOR	470uF 6.3V M	
C2512	QETN1HM-105Z	E CAPACITOR	1uF 50V M		C9232	NCB31HK-103X	C CAPACITOR	0.01uF 50V K	
C2514	NCB31HK-681X	C CAPACITOR	680pF 50V K		C9310	NCB31CK-104X	C CAPACITOR	0.1uF 16V K	
C2515	NCB31HK-332X	C CAPACITOR	3300pF 50V K		C9311	QETN1HM-106Z	E CAPACITOR	10uF 50V M	
C2516	NCB31CK-104X	C CAPACITOR	0.1uF 16V K		C9712	NCB31CK-104X	C CAPACITOR	0.1uF 16V K	
C2517	QETN1HM-105Z	E CAPACITOR	1uF 50V M		C9800	NCB31CK-104X	C CAPACITOR	0.1uF 16V K	
C2518	QETN1HM-105Z	E CAPACITOR	1uF 50V M		C9801	NCB31CK-104X	C CAPACITOR	0.1uF 16V K	
C2519	NCB31CK-104X	C CAPACITOR	0.1uF 16V K		C9802	NCB31CK-104X	C CAPACITOR	0.1uF 16V K	
C2520	NCB31CK-104X	C CAPACITOR	0.1uF 16V K		C9803	NCB31CK-104X	C CAPACITOR	0.1uF 16V K	
C2521	NCB31CK-104X	C CAPACITOR	0.1uF 16V K		C9804	NCB31CK-104X	C CAPACITOR	0.1uF 16V K	
C2523	NCB31HK-471X	C CAPACITOR	470pF 50V K		C9805	NCB31CK-104X	C CAPACITOR	0.1uF 16V K	
C2524	NCB31HK-471X	C CAPACITOR	470pF 50V K		C9810	NCB31CK-104X	C CAPACITOR	0.1uF 16V K	
C2525	QETN1HM-106Z	E CAPACITOR	10uF 50V M						
C2600	NCB31CK-104X	C CAPACITOR	0.1uF 16V K		R2500	NRSA63J-472X	MG RESISTOR	4.7kΩ 1/16W J	
C2601	QETN1HM-475Z	E CAPACITOR	4.7uF 50V M		R2501	NRSA63J-472X	MG RESISTOR	4.7kΩ 1/16W J	
C2700	NCB31HK-152X	C CAPACITOR	1500pF 50V K		R2502	NRSA63J-104X	MG RESISTOR	100kΩ 1/16W J	
C2701	NCB31AK-154X	C CAPACITOR	0.15uF 10V K		R2503	NRSA63J-104X	MG RESISTOR	100kΩ 1/16W J	
C2702	QETN1HM-105Z	E CAPACITOR	1uF 50V M		R2504	NRSA63J-472X	MG RESISTOR	4.7kΩ 1/16W J	
C2703	QETN1HM-105Z	E CAPACITOR	1uF 50V M		R2510	NRSA63J-153X	MG RESISTOR	15kΩ 1/16W J	
C2800	QETN1HM-106Z	E CAPACITOR	10uF 50V M		R2511	NRSA63J-153X	MG RESISTOR	15kΩ 1/16W J	
C2801	QETN1HM-106Z	E CAPACITOR	10uF 50V M		R2512	NRSA63J-153X	MG RESISTOR	15kΩ 1/16W J	
C2900	QETN1HM-106Z	E CAPACITOR	10uF 50V M		R2514	NRSA63J-153X	MG RESISTOR	15kΩ 1/16W J	
C2901	QETN1HM-105Z	E CAPACITOR	1uF 50V M		R2515	NRSA63J-153X	MG RESISTOR	15kΩ 1/16W J	
C2902	QETN1HM-105Z	E CAPACITOR	1uF 50V M		R2516	NRSA63J-153X	MG RESISTOR	15kΩ 1/16W J	
C2903	QETN1HM-106Z	E CAPACITOR	10uF 50V M		R2517	NRSA63J-0R0X	MG RESISTOR	0Ω 1/16W J	
C2952	NCB31CK-104X	C CAPACITOR	0.1uF 16V K		R2570	NRSA63J-0R0X	MG RESISTOR	0Ω 1/16W J	
C4101	QFNC2AJ-104Z	M CAPACITOR	0.1uF 100V J		R2571	NRSA63J-0R0X	MG RESISTOR	0Ω 1/16W J	
C4102	QFNC2AJ-104Z	M CAPACITOR	0.1uF 100V J		R2600	NRSA63J-513X	MG RESISTOR	51kΩ 1/16W J	
C4103	QFNC2AJ-104Z	M CAPACITOR	0.1uF 100V J		R2601	NRSA63J-243X	MG RESISTOR	24kΩ 1/16W J	
C4201	QFNC2AJ-104Z	M CAPACITOR	0.1uF 100V J		R2700	NRSA63J-913X	MG RESISTOR	91kΩ 1/16W J	
C4202	QFNC2AJ-104Z	M CAPACITOR	0.1uF 100V J		R2701	NRSA63J-103X	MG RESISTOR	10kΩ 1/16W J	
C4203	QFNC2AJ-104Z	M CAPACITOR	0.1uF 100V J		R2702	NRSA63J-103X	MG RESISTOR	10kΩ 1/16W J	
C4301	QFNC2AJ-104Z	M CAPACITOR	0.1uF 100V J		R2800	NRSA63J-432X	MG RESISTOR	4.3kΩ 1/16W J	
C4501	NCB31HK-104X	C CAPACITOR	0.1uF 50V K		R2801	NRSA63J-103X	MG RESISTOR	10kΩ 1/16W J	
C4502	QETN1JM-107Z	E CAPACITOR	100uF 63V M		R2900	NRSA63J-104X	MG RESISTOR	100kΩ 1/16W J	
C4503	QETN2AM-476Z	E CAPACITOR	47uF 100V M		R2901	NRSA63J-243X	MG RESISTOR	24kΩ 1/16W J	
C4504	QETN1HM-226Z	E CAPACITOR	22uF 50V M		R2902	NRSA63J-513X	MG RESISTOR	51kΩ 1/16W J	
C4505	QETN1HM-226Z	E CAPACITOR	22uF 50V M		R2903	NRSA63J-103X	MG RESISTOR	10kΩ 1/16W J	
C4506	NDC31HJ-101X	C CAPACITOR	100pF 50V J		R2904	NRSA63J-103X	MG RESISTOR	10kΩ 1/16W J	
C4507	QETN1HM-106Z	E CAPACITOR	10uF 50V M		R2905	NRSA63J-102X	MG RESISTOR	1kΩ 1/16W J	
C4511	QETN1HM-226Z	E CAPACITOR	22uF 50V M		R2906	NRSA63J-272X	MG RESISTOR	2.7kΩ 1/16W J	
C4512	QETN1HM-226Z	E CAPACITOR	22uF 50V M		R2907	NRSA63J-104X	MG RESISTOR	100kΩ 1/16W J	
C5012	NDC31HJ-200X	C CAPACITOR	20pF 50V J		R4501	QRJ146J-470X	UNF C RESISTOR	47Ω 1/4W J	
C5013	NDC31HJ-220X	C CAPACITOR	22pF 50V J		R4502	QRJ146J-470X	UNF C RESISTOR	47Ω 1/4W J	
C5017	NCB31CK-104X	C CAPACITOR	0.1uF 16V K		R4503	QRJ146J-4R7X	UNF C RESISTOR	4.7Ω 1/4W J	
C5018	NCB31CK-104X	C CAPACITOR	0.1uF 16V K		R4504	QRE141J-333Y	C RESISTOR	33kΩ 1/4W J	
C5037	NCB31HK-103X	C CAPACITOR	0.01uF 50V K		R4505	NRSA63J-103X	MG RESISTOR	10kΩ 1/16W J	
C5091	NCB31CK-104X	C CAPACITOR	0.1uF 16V K		R5001	NRSA63J-102X	MG RESISTOR	1kΩ 1/16W J	
C5117	QETN1CM-107Z	E CAPACITOR	100uF 16V M		R5002	NRSA63J-102X	MG RESISTOR	1kΩ 1/16W J	
C5191	QETN1CM-107Z	E CAPACITOR	100uF 16V M		R5004	NRSA63J-102X	MG RESISTOR	1kΩ 1/16W J	
C5199	QETN1HM-475Z	E CAPACITOR	4.7uF 50V M		R5006	NRSA63J-102X	MG RESISTOR	1kΩ 1/16W J	
C5302	NCB31HK-103X	C CAPACITOR	0.01uF 50V K		R5007	NRSA63J-102X	MG RESISTOR	1kΩ 1/16W J	
C5303	QETN1HM-475Z	E CAPACITOR	4.7uF 50V M		R5008	NRSA63J-102X	MG RESISTOR	1kΩ 1/16W J	
C5304	NCB31HK-102X	C CAPACITOR	1000pF 50V K		R5009	NRSA63J-102X	MG RESISTOR	1kΩ 1/16W J	
C5400	QETN1CM-107Z	E CAPACITOR	100uF 16V M		R5010	NRSA63J-102X	MG RESISTOR	1kΩ 1/16W J	
C5411	NCB31HK-471X	C CAPACITOR	470pF 50V K		R5011	NRSA63J-472X	MG RESISTOR	4.7kΩ 1/16W J	
C5421	NCB31HK-471X	C CAPACITOR	470pF 50V K		R5015	NRSA63J-103X	MG RESISTOR	10kΩ 1/16W J	
C5422	NCB31CK-104X	C CAPACITOR	0.1uF 16V K		R5021	NRSA63J-102X	MG RESISTOR	1kΩ 1/16W J	
C6001	QETM1EM-338	E CAPACITOR	3300uF 25V M		R5022	NRSA63J-0R0X	MG RESISTOR	0Ω 1/16W J	
C6002	QETM1CM-688	E CAPACITOR	6800uF 16V M		R5025	NRSA63J-102X	MG RESISTOR	1kΩ 1/16W J	
C6102	QETN1CM-107Z	E CAPACITOR	100uF 16V M		R5028	NRSA63J-102X	MG RESISTOR	1kΩ 1/16W J	
C6202	QETN1AM-477Z	E CAPACITOR	470uF 10V M		R5030	NRSA63J-102X	MG RESISTOR	1kΩ 1/16W J	
C6203	QETN1AM-477Z	E CAPACITOR	470uF 10V M		R5038	NRSA63J-102X	MG RESISTOR	1kΩ 1/16W J	
C6302	QETN1CM-107Z	E CAPACITOR	100uF 16V M		R5042	NRSA63J-102X	MG RESISTOR	1kΩ 1/16W J	
C6402	QETN1CM-107Z	E CAPACITOR	100uF 16V M		R5043	NRSA63J-0R0X	MG RESISTOR	0Ω 1/16W J	
C6502	QETN0JM-108Z	E CAPACITOR	1000uF 6.3V M		R5044	NRSA63J-102X	MG RESISTOR	1kΩ 1/16W J	
C6601	QETN1CM-107Z	E CAPACITOR	100uF 16V M		R5046	NRSA63J-102X	MG RESISTOR	1kΩ 1/16W J	
C6602	QETN1CM-107Z	E CAPACITOR	100uF 16V M		R5047	NRSA63J-102X	MG RESISTOR	1kΩ 1/16W J	
C9200	QETN0JM-477Z	E CAPACITOR	470uF 6.3V M		R5048	NRSA63J-102X	MG RESISTOR	1kΩ 1/16W J	
C9201	NCB31HK-103X	C CAPACITOR	0.01uF 50V K		R5049	NRSA63J-102X	MG RESISTOR	1kΩ 1/16W J	
C9204	NCB31HK-103X	C CAPACITOR	0.01uF 50V K		R5050	NRSA63J-102X	MG RESISTOR	1kΩ 1/16W J	
C9206	QETN1HM-105Z	E CAPACITOR	1uF 50V M		R5051	NRSA63J-0R0X	MG RESISTOR	0Ω 1/16W J	
C9209	QETN1HM-226Z	E CAPACITOR	22uF 50V M		R5054	NRSA63J-102X	MG RESISTOR	1kΩ 1/16W J	
C9211	QETN1HM-105Z	E CAPACITOR	1uF 50V M		R5055	NRSA63J-0R0X	MG RESISTOR	0Ω 1/16W J	
C9213	QETN1HM-105Z	E CAPACITOR	1uF 50V M		R5057	NRSA63J-102X	MG RESISTOR	1kΩ 1/16W J	
C9215	QETN1HM-105Z	E CAPACITOR	1uF 50V M		R5058	NRSA63J-0R0X	MG RESISTOR	0Ω 1/16W J	
C9216	NCB31CK-104X	C CAPACITOR	0.1uF 16V K		R5059	NRSA63J-0R0X	MG RESISTOR	0Ω 1/16W J	

△ Symbol No.	Part No.	Part Name	Description	Local	△ Symbol No.	Part No.	Part Name	Description	Local
R5062	NRSA63J-0R0X	MG RESISTOR	0Ω 1/16W J		△ CN420	QSW0812-001	VOLTAGE SWITCH		20UW
R5064	NRSA63J-0R0X	MG RESISTOR	0Ω 1/16W J		CN430	QGD2504C1-04Z	CONNECTOR	(1-4)	
R5065	NRSA63J-0R0X	MG RESISTOR	0Ω 1/16W J		CN500	QGF1036C2-13	CONNECTOR	FFC/FPC (1-13)	
R5066	NRSA63J-0R0X	MG RESISTOR	0Ω 1/16W J		CN501	QGF1205C2-21	CONNECTOR	FFC/FPC (1-21)	
R5068	NRSA63J-102X	MG RESISTOR	1kΩ 1/16W J		CN502	QGF1036C2-28	CONNECTOR	FFC/FPC (1-28)	
R5069	NRSA63J-0R0X	MG RESISTOR	0Ω 1/16W J		CN503	QGF1205C2-15	CONNECTOR	FFC/FPC (1-15)	
R5070	NRSA63J-0R0X	MG RESISTOR	0Ω 1/16W J		CN504	QGF1036C2-05	CONNECTOR	FFC/FPC (1-5)	
R5071	NRSA63J-102X	MG RESISTOR	1kΩ 1/16W J		CN505	QGF1205C2-17	CONNECTOR	FFC/FPC (1-17)	
R5072	NRSA63J-102X	MG RESISTOR	1kΩ 1/16W J		CN506	QGF1205C2-21	CONNECTOR	FFC/FPC (1-21)	
R5073	NRSA63J-102X	MG RESISTOR	1kΩ 1/16W J		CN507	QGF1205F2-11	CONNECTOR	FFC/FPC (1-11)	
R5074	NRSA63J-102X	MG RESISTOR	1kΩ 1/16W J		CN630	QGA2501F1-03	CONNECTOR	W-B (1-3)	
R5075	NRSA63J-102X	MG RESISTOR	1kΩ 1/16W J		CN931	QGF1205C2-15	CONNECTOR	FFC/FPC (1-15)	
R5076	NRSA63J-0R0X	MG RESISTOR	0Ω 1/16W J		EP401	E409182-001SM	GRAND TERMINAL		20EE, 10EE
R5077	NRSA63J-102X	MG RESISTOR	1kΩ 1/16W J		FT411	QNG0003-001Z	FUSE CLIP		
R5079	NRSA63J-101X	MG RESISTOR	100Ω 1/16W J		FT412	QNG0003-001Z	FUSE CLIP		
R5081	NRSA63J-101X	MG RESISTOR	100Ω 1/16W J		FT415	QNG0003-001Z	FUSE CLIP		
R5083	NRSA63J-102X	MG RESISTOR	1kΩ 1/16W J		FT416	QNG0003-001Z	FUSE CLIP		
R5084	NRSA63J-102X	MG RESISTOR	1kΩ 1/16W J		FT417	QNG0003-001Z	FUSE CLIP		
R5088	NRSA63J-102X	MG RESISTOR	1kΩ 1/16W J		FT418	QNG0003-001Z	FUSE CLIP		
R5090	NRSA63J-102X	MG RESISTOR	1kΩ 1/16W J		FT421	QNG0003-001Z	FUSE CLIP		
R5092	NRSA63J-102X	MG RESISTOR	1kΩ 1/16W J		FT422	QNG0003-001Z	FUSE CLIP		
R5093	NRSA63J-102X	MG RESISTOR	1kΩ 1/16W J		FT425	QNG0003-001Z	FUSE CLIP		
R5094	NRSA63J-102X	MG RESISTOR	1kΩ 1/16W J		FT426	QNG0003-001Z	FUSE CLIP		
R5095	NRSA63J-103X	MG RESISTOR	10kΩ 1/16W J	20UW	FT427	QNG0003-001Z	FUSE CLIP		
R5096	NRSA63J-103X	MG RESISTOR	10kΩ 1/16W J		FT428	QNG0003-001Z	FUSE CLIP		
R5097	NRSA63J-103X	MG RESISTOR	10kΩ 1/16W J		FW400	QUM15B-35DGZ4-E	FLAT WIRE		
R5098	NRSA63J-103X	MG RESISTOR	10kΩ 1/16W J		FW970	QUM025-19DGZ4-E	FLAT WIRE		
R5099	NRSA63J-103X	MG RESISTOR	10kΩ 1/16W J		J250	QNS0285-001	POWER IC		
R5101	NRSA63J-103X	MG RESISTOR	10kΩ 1/16W J		J251	QNS0285-001	POWER IC		
R5102	NRSA63J-103X	MG RESISTOR	10kΩ 1/16W J		J500	QNN0420-001	SURROUND JACK		
R5108	NRSA63J-103X	MG RESISTOR	10kΩ 1/16W J		J970	QNS0266-001	JACK		
R5109	NRSA63J-103X	MG RESISTOR	10kΩ 1/16W J		J980	QNZ0851-001	USB CONNECTOR		
R5138	NRSA63J-103X	MG RESISTOR	10kΩ 1/16W J		J9300	QNN0557-002	PIN JACK		
R5143	NRSA63J-102X	MG RESISTOR	1kΩ 1/16W J		JS251	QSW1230-001	MIC ENCODER		
R5144	NRSA63J-103X	MG RESISTOR	10kΩ 1/16W J		K2703	QQR0621-001Z	COIL		
R5147	NRSA63J-103X	MG RESISTOR	10kΩ 1/16W J		K2705	QQR0621-001Z	COIL		
R5151	NRSA63J-103X	MG RESISTOR	10kΩ 1/16W J		K2712	NQR0022-003X	FERRITE CHIP		
R5154	NRSA63J-103X	MG RESISTOR	10kΩ 1/16W J		K2714	NQR0022-003X	FERRITE CHIP		
R5159	NRSA63J-103X	MG RESISTOR	10kΩ 1/16W J		K5000	QQR0621-001Z	COIL		
R5161	NRSA63J-103X	MG RESISTOR	10kΩ 1/16W J		K9700	QQR0621-001Z	COIL		
R5162	NRSA63J-103X	MG RESISTOR	10kΩ 1/16W J		K9710	QQR0621-001Z	COIL		
R5190	NRS181J-103X	MG RESISTOR	10kΩ 1/8W J		K9721	QQR0621-001Z	COIL		
R5192	NRS181J-103X	MG RESISTOR	10kΩ 1/8W J		K9800	NQR0505-006X	FERRITE		
R5193	NRSA63J-103X	MG RESISTOR	10kΩ 1/16W J		K9801	NQR0505-006X	FERRITE		
R5194	NRSA63J-103X	MG RESISTOR	10kΩ 1/16W J		K9802	QQR0621-001Z	COIL		
R5195	NRSA63J-103X	MG RESISTOR	10kΩ 1/16W J	20EE, 10EE, 20UW	TW251	QUB130-14DMPP-E	SIN TWIST WIRE		
R5195	NRSA63J-183X	MG RESISTOR	18kΩ 1/16W J		X5000	QAX0711-002Z	CRYSTAL	8.000000MHz	
R5198	NRSA63J-103X	MG RESISTOR	10kΩ 1/16W J						
R5199	NRSA63J-563X	MG RESISTOR	56kΩ 1/16W J						
R5259	NRSA63J-102X	MG RESISTOR	1kΩ 1/16W J						
R5302	NRSA63J-103X	MG RESISTOR	10kΩ 1/16W J						
R5303	NRSA63J-222X	MG RESISTOR	2.2kΩ 1/16W J						
R5400	NRSA63J-103X	MG RESISTOR	10kΩ 1/16W J						
R5410	NRSA63J-103X	MG RESISTOR	10kΩ 1/16W J						
R5411	NRSA63J-104X	MG RESISTOR	100kΩ 1/16W J						
R5420	NRSA63J-103X	MG RESISTOR	10kΩ 1/16W J						
R5421	NRSA63J-104X	MG RESISTOR	100kΩ 1/16W J						
R5430	NRSA63J-0R0X	MG RESISTOR	0Ω 1/16W J						
R5431	NRSA63J-394X	MG RESISTOR	390kΩ 1/16W J						
R5440	NRSA63J-0R0X	MG RESISTOR	0Ω 1/16W J						
R5441	NRSA63J-394X	MG RESISTOR	390kΩ 1/16W J						
R6301	NRSA63J-102X	MG RESISTOR	1kΩ 1/16W J						
R6302	NRSA63J-103X	MG RESISTOR	10kΩ 1/16W J						
R6601	NRSA63J-471X	MG RESISTOR	470Ω 1/16W J						
R6701	NRSA63J-473X	MG RESISTOR	47kΩ 1/16W J						
R9001	NRSA63J-470X	MG RESISTOR	47Ω 1/16W J						
R9202	NRSA63J-201X	MG RESISTOR	200Ω 1/16W J						
R9208	NRSA63J-201X	MG RESISTOR	200Ω 1/16W J						
R9210	NRSA63J-201X	MG RESISTOR	200Ω 1/16W J						
R9227	NRSA63J-750X	MG RESISTOR	75Ω 1/16W J						
R9230	NRSA63J-750X	MG RESISTOR	75Ω 1/16W J						
R9232	NRSA63J-750X	MG RESISTOR	75Ω 1/16W J						
R9700	QRJ146J-681X	UNF C RESISTOR	680Ω 1/4W J						
R9710	QRJ146J-681X	UNF C RESISTOR	680Ω 1/4W J						
CN250	QGF1205F2-13	CONNECTOR	FFC/FPC (1-13)		D121	1N4003S-T5	SI DIODE		
CN410	QGA7901C1-02	CONNECTOR	W-B (1-2)		D122	1N4003S-T5	SI DIODE		

## Cassette board

Block No. [0][4]

△ Symbol No.	Part No.	Part Name	Description	Local
IC200	HA12237F-E	IC		
Q110	KTA1271/OY/-T	TRANSISTOR		
Q111	RT1N144C-X	DIGI TRANSISTOR		
Q120	KTA1296/Y/-T	TRANSISTOR		
Q121	RT1N144C-X	DIGI TRANSISTOR		
Q140	KTA1271/OY/-T	TRANSISTOR		
Q141	RT1N144C-X	DIGI TRANSISTOR		
Q150	KTA1296/Y/-T	TRANSISTOR		
Q151	RT1N144C-X	DIGI TRANSISTOR		
Q200	RT1P430C-X	TRANSISTOR		
Q201	RT6N430C-X	TRANSISTOR		
Q202	RT6N430C-X	TRANSISTOR		
Q203	RT6N430C-X	TRANSISTOR		
Q204	RT6N430C-X	TRANSISTOR		
Q300	KTC3203/OY/-T	TRANSISTOR		
Q301	KTC3203/OY/-T	TRANSISTOR		

△ Symbol No.	Part No.	Part Name	Description	Local
D151	1N4003S-T5	SI DIODE		
D152	1N4003S-T5	SI DIODE		
C110	QETN1HM-106Z	E CAPACITOR	10uF 50V M	
C122	QETN1CM-107Z	E CAPACITOR	100uF 16V M	
C140	QETN1HM-106Z	E CAPACITOR	10uF 50V M	
C202	NCB31HK-122X	C CAPACITOR	1200pF 50V K	
C203	NCB31HK-103X	C CAPACITOR	0.01uF 50V K	
C204	NCB31CK-104X	C CAPACITOR	0.1uF 16V K	
C205	QETN1HM-225Z	E CAPACITOR	2.2uF 50V M	
C206	NCB31CK-104X	C CAPACITOR	0.1uF 16V K	
C207	NCB31HK-391X	C CAPACITOR	390pF 50V K	
C209	QETN1AM-227Z	E CAPACITOR	220uF 10V M	
C210	QETN1HM-105Z	E CAPACITOR	1uF 50V M	
C211	QETN1HM-106Z	E CAPACITOR	10uF 50V M	
C212	NCB31CK-104X	C CAPACITOR	0.1uF 16V K	
C213	QETN1HM-225Z	E CAPACITOR	2.2uF 50V M	
C214	NCB31CK-104X	C CAPACITOR	0.1uF 16V K	
C215	NCB31HK-391X	C CAPACITOR	390pF 50V K	
C216	NCB31HK-221X	C CAPACITOR	220pF 50V K	
C219	NCB31HK-103X	C CAPACITOR	0.01uF 50V K	
C220	QETN1HM-226Z	E CAPACITOR	22uF 50V M	
C221	QETN1HM-105Z	E CAPACITOR	1uF 50V M	
C222	QETN1HM-226Z	E CAPACITOR	22uF 50V M	
C223	NCB31HK-682X	C CAPACITOR	6800pF 50V K	
C224	NCB31HK-682X	C CAPACITOR	6800pF 50V K	
C225	NCB31HK-122X	C CAPACITOR	1200pF 50V K	
C226	QETN1EM-475Z	E CAPACITOR	4.7uF 25V M	
C227	QETN1EM-475Z	E CAPACITOR	4.7uF 25V M	
C228	QETN1CM-107Z	E CAPACITOR	100uF 16V M	
C231	NCB31HK-221X	C CAPACITOR	220pF 50V K	
C234	NCB31HK-821X	C CAPACITOR	820pF 50V K	
C235	NCB31HK-821X	C CAPACITOR	820pF 50V K	
C300	NCB31HK-331X	C CAPACITOR	330pF 50V K	
C301	NCB31HK-331X	C CAPACITOR	330pF 50V K	
C303	QFG32AJ-273Z	PP CAPACITOR	0.027uF 100V J	
C304	QETN1CM-107Z	E CAPACITOR	100uF 16V M	
C306	NCB31HK-223X	C CAPACITOR	0.022uF 50V K	
C307	NCB31HK-152X	C CAPACITOR	1500pF 50V K	
R110	NRSA63J-222X	MG RESISTOR	2.2kΩ 1/16W J	
R113	NRSA63J-183X	MG RESISTOR	18kΩ 1/16W J	
R114	NRSA63J-822X	MG RESISTOR	8.2kΩ 1/16W J	
R115	NRSA63J-363X	MG RESISTOR	36kΩ 1/16W J	
R123	NRSA63J-222X	MG RESISTOR	2.2kΩ 1/16W J	
R140	NRSA63J-222X	MG RESISTOR	2.2kΩ 1/16W J	
R153	NRSA63J-222X	MG RESISTOR	2.2kΩ 1/16W J	
R200	NRSA63J-512X	MG RESISTOR	5.1kΩ 1/16W J	
R201	NRSA63J-512X	MG RESISTOR	5.1kΩ 1/16W J	
R202	NRSA63J-182X	MG RESISTOR	1.8kΩ 1/16W J	
R203	NRSA63J-242X	MG RESISTOR	2.4kΩ 1/16W J	
R204	NRSA63J-273X	MG RESISTOR	27kΩ 1/16W J	
R205	NRSA63J-303X	MG RESISTOR	30kΩ 1/16W J	
R206	NRSA63J-103X	MG RESISTOR	10kΩ 1/16W J	
R207	NRSA63J-101X	MG RESISTOR	100Ω 1/16W J	
R208	NRSA63J-104X	MG RESISTOR	100kΩ 1/16W J	
R209	NRSA63J-223X	MG RESISTOR	22kΩ 1/16W J	
R210	NRSA63J-242X	MG RESISTOR	2.4kΩ 1/16W J	
R211	NRSA63J-303X	MG RESISTOR	30kΩ 1/16W J	
R212	NRSA63J-273X	MG RESISTOR	27kΩ 1/16W J	
R213	NRSA63J-182X	MG RESISTOR	1.8kΩ 1/16W J	
R214	NRSA63J-512X	MG RESISTOR	5.1kΩ 1/16W J	
R215	NRSA63J-512X	MG RESISTOR	5.1kΩ 1/16W J	
R216	NRSA63J-102X	MG RESISTOR	1kΩ 1/16W J	
R217	NRSA63J-102X	MG RESISTOR	1kΩ 1/16W J	
R218	NRSA63J-912X	MG RESISTOR	9.1kΩ 1/16W J	
R219	NRSA63J-912X	MG RESISTOR	9.1kΩ 1/16W J	
R226	NRSA63J-221X	MG RESISTOR	220Ω 1/16W J	
R227	NRSA63J-243X	MG RESISTOR	24kΩ 1/16W J	
R228	NRSA63J-822X	MG RESISTOR	8.2kΩ 1/16W J	
R300	NRSA63J-153X	MG RESISTOR	15kΩ 1/16W J	
R301	NRSA63J-153X	MG RESISTOR	15kΩ 1/16W J	
R302	NRSA63J-103X	MG RESISTOR	10kΩ 1/16W J	
R303	NRSA63J-101X	MG RESISTOR	100Ω 1/16W J	
R304	NRSA63J-153X	MG RESISTOR	15kΩ 1/16W J	
R305	NRSA63J-2R2X	MG RESISTOR	2.2Ω 1/16W J	
△ R306	QRJ146J-4R7X	UNF C RESISTOR	4.7Ω 1/4W J	
R307	NRSA63J-222X	MG RESISTOR	2.2kΩ 1/16W J	

△ Symbol No.	Part No.	Part Name	Description	Local
R308	NRSA63J-474X	MG RESISTOR	470kΩ 1/16W J	
△ R309	QRZ9005-100X	FUSI RESISTOR	10Ω	
L300	QQR1118-002	OSC COIL(BIAS)		
L301	QQL244K-100Z	COIL	10uH K	
CN100	QGF1205C2-21	CONNECTOR	FFC/FPC (1-21)	
CN110	QGF1205F2-06	CONNECTOR	FFC/FPC (1-6)	
CN120	QGF1205C2-07	CONNECTOR	FFC/FPC (1-7)	
CN200	QGA2001C1-07	CONNECTOR	W-B (1-7)	
CN220	QGA2001F1-03	CONNECTOR	W-B (1-3)	
WR1	WJZ0160-004A-E	S.WIRE		

## DVD servo board(Only DX-J35)

Block No. [0][5]

△ Symbol No.	Part No.	Part Name	Description	Local
IC201	LA6502-X	IC		
IC301	MN2DS0018MA	IC		
IC302	MM1701CH-X	IC		
IC303	XC2164A51FM-X	IC		
IC305	MM1563DF-X	IC		
IC451	MN101C61GNW	IC		
IC452	BR93L56RF-W-X	IC		
IC453	S-80830CNNB-G-W	IC		
IC505	K4S641632K-UC75	IC		
IC505	or K4S641632H-UC75	IC		
IC509	-----	IC(MICRO C ROM)		
IC510	BR24L16F-W-X	IC(DIGITAL)		
IC701	AK4387ET-X	IC		
IC702	AK4387ET-X	IC		
IC703	AK4387ET-X	IC		
IC704	AK5358ET-X	IC		
IC704	or AK5358AET-X	IC		
IC705	MM1615AN-X	IC		
IC801	MM1565AF-X	IC		
Q101	KTA1001/Y/-X	TRANSISTOR		
Q101	or 2SB1424/R/-W	TRANSISTOR		
Q102	2SC4617/R/-X	TRANSISTOR		
Q103	KTA1001/Y/-X	TRANSISTOR		
Q103	or 2SB1424/R/-W	TRANSISTOR		
Q104	2SC4617/R/-X	TRANSISTOR		
Q801	KRA104S-X	DIGI TRANSISTOR		
Q801	or UN2113-X	TRANSISTOR		
C101	NCB31CK-104X	C CAPACITOR	0.1uF 16V K	
C102	NCB31CK-104X	C CAPACITOR	0.1uF 16V K	
C103	NCB31CK-104X	C CAPACITOR	0.1uF 16V K	
C104	NCB31CK-104X	C CAPACITOR	0.1uF 16V K	
C105	NEAF0JM-476X	E CAPACITOR	47uF 6.3V M	
C106	NBE20JM-226X	TA E CAPACITOR	22uF 6.3V M	
C107	NCB31CK-104X	C CAPACITOR	0.1uF 16V K	
C108	NBE20JM-226X	TA E CAPACITOR	22uF 6.3V M	
C201	NDC31HJ-221X	C CAPACITOR	220pF 50V J	
C202	NDC31HJ-221X	C CAPACITOR	220pF 50V J	
C203	NCB31HK-103X	C CAPACITOR	0.01uF 50V K	
C204	NCB31CK-104X	C CAPACITOR	0.1uF 16V K	
C205	NCB31HK-271X	C CAPACITOR	270pF 50V K	
C206	NDC31HJ-151X	C CAPACITOR	150pF 50V J	
C210	NCF31AZ-105X	C CAPACITOR	1uF 10V Z	
C211	NCB31HK-223X	C CAPACITOR	0.022uF 50V K	
C217	NCB31CK-104X	C CAPACITOR	0.1uF 16V K	
C251	NCB31AK-474X	C CAPACITOR	0.47uF 10V K	
C256	NCB31CK-104X	C CAPACITOR	0.1uF 16V K	
C257	NCB31HK-822X	C CAPACITOR	8200pF 50V K	
C258	NCB31CK-153X	C CAPACITOR	0.015uF 16V K	
C259	NCB31CK-153X	C CAPACITOR	0.015uF 16V K	
C260	NCB31HK-223X	C CAPACITOR	0.022uF 50V K	
C261	NCB31HK-223X	C CAPACITOR	0.022uF 50V K	
C262	NCB31HK-223X	C CAPACITOR	0.022uF 50V K	
C263	NEAF1CM-107X	E CAPACITOR	100uF 16V M	
C301	NEAF0JM-227X	E CAPACITOR	220uF 6.3V M	



△ Symbol No.	Part No.	Part Name	Description	Local	△ Symbol No.	Part No.	Part Name	Description	Local
C302	NEAF0GM-476X	E CAPACITOR	47uF 4V M		C706	NEAF1CM-106X	E CAPACITOR	10uF 16V M	
C303	NEAF0GM-476X	E CAPACITOR	47uF 4V M		C707	NCB31CK-104X	C CAPACITOR	0.1uF 16V K	
C304	NCB30JK-105X	C CAPACITOR	1uF 6.3V K		C708	NCB31CK-104X	C CAPACITOR	0.1uF 16V K	
C305	NCB31CK-104X	C CAPACITOR	0.1uF 16V K		C709	NCB31CK-104X	C CAPACITOR	0.1uF 16V K	
C306	NCB31CK-104X	C CAPACITOR	0.1uF 16V K		C711	NCB21CK-105X	C CAPACITOR	1uF 16V K	
C307	NCB31CK-104X	C CAPACITOR	0.1uF 16V K		C712	NCB31HK-103X	C CAPACITOR	0.01uF 50V K	
C309	NCB31CK-104X	C CAPACITOR	0.1uF 16V K		C713	NCB21CK-105X	C CAPACITOR	1uF 16V K	
C310	NCB31CK-104X	C CAPACITOR	0.1uF 16V K		C740	NCB31CK-104X	C CAPACITOR	0.1uF 16V K	
C312	NCB31CK-104X	C CAPACITOR	0.1uF 16V K		C741	NCF31AZ-105X	C CAPACITOR	1uF 10V Z	
C313	NCB31CK-104X	C CAPACITOR	0.1uF 16V K		C742	NCB31CK-104X	C CAPACITOR	0.1uF 16V K	
C314	NCB31CK-104X	C CAPACITOR	0.1uF 16V K		C743	NCB31CK-104X	C CAPACITOR	0.1uF 16V K	
C315	NCB31CK-104X	C CAPACITOR	0.1uF 16V K		C744	NEAF1CM-106X	E CAPACITOR	10uF 16V M	
C316	NCB31CK-104X	C CAPACITOR	0.1uF 16V K		C745	NEAF1CM-106X	E CAPACITOR	10uF 16V M	
C318	NCB31CK-104X	C CAPACITOR	0.1uF 16V K		C801	NCB21CK-105X	C CAPACITOR	1uF 16V K	
C319	NCB31CK-104X	C CAPACITOR	0.1uF 16V K		C802	NCB21AK-225X	C CAPACITOR	2.2uF 10V K	
C320	NCB31CK-104X	C CAPACITOR	0.1uF 16V K		C803	NEAF0JM-227X	E CAPACITOR	220uF 6.3V M	
C321	NCB31CK-104X	C CAPACITOR	0.1uF 16V K		C804	NCB31HK-471X	C CAPACITOR	470pF 50V K	
C322	NCB31CK-104X	C CAPACITOR	0.1uF 16V K						
C323	NCB31CK-104X	C CAPACITOR	0.1uF 16V K		R101	NRSA63J-101X	MG RESISTOR	100Ω 1/16W J	
C324	NCB30JK-105X	C CAPACITOR	1uF 6.3V K		R102	NRSA63J-101X	MG RESISTOR	100Ω 1/16W J	
C325	NDC31HJ-120X	C CAPACITOR	12pF 50V J		R103	NRSA63J-562X	MG RESISTOR	5.6kΩ 1/16W J	
C326	NDC31HJ-100X	C CAPACITOR	10pF 50V J		R104	NRSA63J-432X	MG RESISTOR	4.3kΩ 1/16W J	
C328	NCB31HK-103X	C CAPACITOR	0.01uF 50V K		R105	NRS181J-180X	MG RESISTOR	18Ω 1/8W J	
C330	NCB31CK-104X	C CAPACITOR	0.1uF 16V K		R106	NRSA63J-2R2X	MG RESISTOR	2.2Ω 1/16W J	
C331	NCB31CK-333X	C CAPACITOR	0.033uF 16V K		R107	NRSA63J-102X	MG RESISTOR	1kΩ 1/16W J	
C332	NCB31CK-104X	C CAPACITOR	0.1uF 16V K		R108	NRSA63J-471X	MG RESISTOR	470Ω 1/16W J	
C333	NCB31CK-104X	C CAPACITOR	0.1uF 16V K		R109	NRSA63J-331X	MG RESISTOR	330Ω 1/16W J	
C334	NCB31CK-104X	C CAPACITOR	0.1uF 16V K		R111	NRSA63J-562X	MG RESISTOR	5.6kΩ 1/16W J	
C335	NCB31CK-104X	C CAPACITOR	0.1uF 16V K		R112	NRSA63J-432X	MG RESISTOR	4.3kΩ 1/16W J	
C337	NCB31CK-183X	C CAPACITOR	0.018uF 16V K		R113	NRS181J-180X	MG RESISTOR	18Ω 1/8W J	
C338	NCB31HK-562X	C CAPACITOR	5600pF 50V K		R114	NRSA63J-2R2X	MG RESISTOR	2.2Ω 1/16W J	
C339	NBE20JM-106X	TA E CAPACITOR	10uF 6.3V M		R115	NRSA63J-102X	MG RESISTOR	1kΩ 1/16W J	
C340	NCB30JK-105X	C CAPACITOR	1uF 6.3V K		R116	NRSA63J-471X	MG RESISTOR	470Ω 1/16W J	
C341	NCB30JK-105X	C CAPACITOR	1uF 6.3V K		R117	NRSA63J-331X	MG RESISTOR	330Ω 1/16W J	
C345	NCB31CK-104X	C CAPACITOR	0.1uF 16V K		R125	NRSA63J-1R0X	MG RESISTOR	1Ω 1/16W J	
C347	NCB31CK-104X	C CAPACITOR	0.1uF 16V K		R127	NRSA63J-432X	MG RESISTOR	4.3kΩ 1/16W J	
C348	NCB31CK-104X	C CAPACITOR	0.1uF 16V K		R128	NRSA63J-562X	MG RESISTOR	5.6kΩ 1/16W J	
C349	NCB31CK-104X	C CAPACITOR	0.1uF 16V K		R201	NRSA63J-471X	MG RESISTOR	470Ω 1/16W J	
C350	NCB31HK-103X	C CAPACITOR	0.01uF 50V K		R202	NRSA63J-102X	MG RESISTOR	1kΩ 1/16W J	
C351	NCB31HK-103X	C CAPACITOR	0.01uF 50V K		R204	NRSA63J-273X	MG RESISTOR	27kΩ 1/16W J	
C352	NCB31CK-153X	C CAPACITOR	0.015uF 16V K		R205	NRSA63J-273X	MG RESISTOR	27kΩ 1/16W J	
C353	NCB31HK-561X	C CAPACITOR	560pF 50V K		R206	NRSA63J-303X	MG RESISTOR	30kΩ 1/16W J	
C354	NCB31HK-561X	C CAPACITOR	560pF 50V K		R207	NRSA63J-473X	MG RESISTOR	47kΩ 1/16W J	
C356	NCB30JK-105X	C CAPACITOR	1uF 6.3V K		R213	NRSA63J-103X	MG RESISTOR	10kΩ 1/16W J	
C359	NCB30JK-105X	C CAPACITOR	1uF 6.3V K		R214	NRSA63J-103X	MG RESISTOR	10kΩ 1/16W J	
C370	NCB31CK-104X	C CAPACITOR	0.1uF 16V K		R219	NRSA63J-183X	MG RESISTOR	18kΩ 1/16W J	
C371	NCF31AZ-105X	C CAPACITOR	1uF 10V Z		R220	NRSA63J-243X	MG RESISTOR	24kΩ 1/16W J	
C372	NCB31CK-104X	C CAPACITOR	0.1uF 16V K		R221	NRSA63J-682X	MG RESISTOR	6.8kΩ 1/16W J	
C373	NCB31CK-104X	C CAPACITOR	0.1uF 16V K		R251	NRS125J-R39X	MG RESISTOR	0.39Ω 1/2W J	
C374	NCB31CK-104X	C CAPACITOR	0.1uF 16V K		R259	NRSA63J-103X	MG RESISTOR	10kΩ 1/16W J	
C375	NCB31CK-104X	C CAPACITOR	0.1uF 16V K		R303	NRSA63J-220X	MG RESISTOR	22Ω 1/16W J	
C378	NCB31CK-104X	C CAPACITOR	0.1uF 16V K		R304	NRSA63J-432X	MG RESISTOR	4.3kΩ 1/16W J	
C379	NCB31CK-104X	C CAPACITOR	0.1uF 16V K		R306	NRSA63J-102X	MG RESISTOR	1kΩ 1/16W J	
C380	NCB21CK-105X	C CAPACITOR	1uF 16V K		R307	NRSA63J-102X	MG RESISTOR	1kΩ 1/16W J	
C381	NCB21AK-225X	C CAPACITOR	2.2uF 10V K		R309	NRSA63J-104X	MG RESISTOR	100kΩ 1/16W J	
C382	NCB31HK-471X	C CAPACITOR	470pF 50V K		R310	NRSA63J-101X	MG RESISTOR	100Ω 1/16W J	
C383	NCB31CK-104X	C CAPACITOR	0.1uF 16V K		R311	NRSA63J-331X	MG RESISTOR	330Ω 1/16W J	
C392	NCB31CK-104X	C CAPACITOR	0.1uF 16V K		R312	NRSA63J-331X	MG RESISTOR	330Ω 1/16W J	
C393	NCB31HK-103X	C CAPACITOR	0.01uF 50V K		R314	NRSA63J-0R0X	MG RESISTOR	0Ω 1/16W J	
C451	NCB31CK-104X	C CAPACITOR	0.1uF 16V K		R316	NRSA63J-102X	MG RESISTOR	1kΩ 1/16W J	
C452	NCB31CK-104X	C CAPACITOR	0.1uF 16V K		R318	NRSA63J-220X	MG RESISTOR	22Ω 1/16W J	
C453	NCB31CK-104X	C CAPACITOR	0.1uF 16V K		R322	NRSA63J-331X	MG RESISTOR	330Ω 1/16W J	
C454	NCB31HK-103X	C CAPACITOR	0.01uF 50V K		R323	NRSA63J-331X	MG RESISTOR	330Ω 1/16W J	
C455	NCB31HK-103X	C CAPACITOR	0.01uF 50V K		R324	NRSA63J-331X	MG RESISTOR	330Ω 1/16W J	
C551	NCB31CK-104X	C CAPACITOR	0.1uF 16V K		R325	NRSA63J-331X	MG RESISTOR	330Ω 1/16W J	
C554	NCB31CK-104X	C CAPACITOR	0.1uF 16V K		R326	NRSA63J-103X	MG RESISTOR	10kΩ 1/16W J	
C555	NCB31CK-104X	C CAPACITOR	0.1uF 16V K		R329	NRSA63J-102X	MG RESISTOR	1kΩ 1/16W J	
C557	NCB31HK-102X	C CAPACITOR	1000pF 50V K		R332	NRSA63J-331X	MG RESISTOR	330Ω 1/16W J	
C558	NBE20JM-226X	TA E CAPACITOR	22uF 6.3V M		R333	NRSA63J-331X	MG RESISTOR	330Ω 1/16W J	
C559	NCB31CK-104X	C CAPACITOR	0.1uF 16V K		R334	NRSA63J-0R0X	MG RESISTOR	0Ω 1/16W J	
C560	NCB31CK-104X	C CAPACITOR	0.1uF 16V K		R335	NRSA63J-0R0X	MG RESISTOR	0Ω 1/16W J	
C562	NCF31AZ-105X	C CAPACITOR	1uF 10V Z		R336	NRSA63J-0R0X	MG RESISTOR	0Ω 1/16W J	
C563	NCB31CK-104X	C CAPACITOR	0.1uF 16V K		R337	NRSA63J-0R0X	MG RESISTOR	0Ω 1/16W J	
C564	NCB31CK-104X	C CAPACITOR	0.1uF 16V K		R338	NRSA63J-0R0X	MG RESISTOR	0Ω 1/16W J	
C701	NCB31CK-104X	C CAPACITOR	0.1uF 16V K		R339	NRSA63J-0R0X	MG RESISTOR	0Ω 1/16W J	
C702	NCB31CK-104X	C CAPACITOR	0.1uF 16V K		R340	NRSA63D-303X	MG RESISTOR	30kΩ 1/16W D	
C703	NCB31CK-104X	C CAPACITOR	0.1uF 16V K		R341	NRSA63D-512X	MG RESISTOR	5.1kΩ 1/16W D	
C704	NEAF0JM-476X	E CAPACITOR	47uF 6.3V M		R342	NRSA63D-222X	MG RESISTOR	2.2kΩ 1/16W D	

△ Symbol No.	Part No.	Part Name	Description	Local
R345	NRSA63J-221X	MG RESISTOR	220Ω 1/16W J	
R346	NRSA63J-223X	MG RESISTOR	22kΩ 1/16W J	
R347	NRSA63J-203X	MG RESISTOR	20kΩ 1/16W J	
R348	NRSA63J-0R0X	MG RESISTOR	0Ω 1/16W J	
R351	NRSA63J-331X	MG RESISTOR	330Ω 1/16W J	
R352	NRSA63J-105X	MG RESISTOR	1MΩ 1/16W J	
R353	NRSA63J-101X	MG RESISTOR	100Ω 1/16W J	
R357	NRSA63J-221X	MG RESISTOR	220Ω 1/16W J	
R358	NRSA63J-221X	MG RESISTOR	220Ω 1/16W J	
R359	NRSA63J-221X	MG RESISTOR	220Ω 1/16W J	
R360	NRSA63J-221X	MG RESISTOR	220Ω 1/16W J	
R361	NRSA63J-103X	MG RESISTOR	10kΩ 1/16W J	
R362	NRSA63J-470X	MG RESISTOR	47Ω 1/16W J	
R367	NRSA63J-221X	MG RESISTOR	220Ω 1/16W J	
R371	NRSA63J-103X	MG RESISTOR	10kΩ 1/16W J	
R372	NRSA63J-103X	MG RESISTOR	10kΩ 1/16W J	
R373	NRSA63J-103X	MG RESISTOR	10kΩ 1/16W J	
R375	NRSA63J-471X	MG RESISTOR	470Ω 1/16W J	
R376	NRSA63J-102X	MG RESISTOR	1kΩ 1/16W J	
R383	NRSA63J-101X	MG RESISTOR	100Ω 1/16W J	
R384	NRSA63J-102X	MG RESISTOR	1kΩ 1/16W J	
R385	NRSA63J-102X	MG RESISTOR	1kΩ 1/16W J	
R392	NRSA63J-103X	MG RESISTOR	10kΩ 1/16W J	
R452	NRSA63J-222X	MG RESISTOR	2.2kΩ 1/16W J	
R453	NRSA63J-103X	MG RESISTOR	10kΩ 1/16W J	
R454	NRSA63J-103X	MG RESISTOR	10kΩ 1/16W J	
R455	NRSA63J-103X	MG RESISTOR	10kΩ 1/16W J	
R456	NRSA63J-103X	MG RESISTOR	10kΩ 1/16W J	
R457	NRSA63J-101X	MG RESISTOR	100Ω 1/16W J	
R458	NRSA63J-102X	MG RESISTOR	1kΩ 1/16W J	
R461	NRSA63J-101X	MG RESISTOR	100Ω 1/16W J	
R463	NRSA63J-101X	MG RESISTOR	100Ω 1/16W J	
R464	NRSA63J-101X	MG RESISTOR	100Ω 1/16W J	
R465	NRSA63J-102X	MG RESISTOR	1kΩ 1/16W J	
R531	NRSA63J-103X	MG RESISTOR	10kΩ 1/16W J	
R535	NRSA63J-473X	MG RESISTOR	47kΩ 1/16W J	
R541	NRSA63J-472X	MG RESISTOR	4.7kΩ 1/16W J	
R701	NRSA63J-2R2X	MG RESISTOR	2.2Ω 1/16W J	
R704	NRSA63J-0R0X	MG RESISTOR	0Ω 1/16W J	
R705	NRSA63J-0R0X	MG RESISTOR	0Ω 1/16W J	
R714	NRSA63J-101X	MG RESISTOR	100Ω 1/16W J	
R715	NRSA63J-101X	MG RESISTOR	100Ω 1/16W J	
R716	NRSA63J-222X	MG RESISTOR	2.2kΩ 1/16W J	
R718	NRSA63J-473X	MG RESISTOR	47kΩ 1/16W J	
R719	NRSA63J-473X	MG RESISTOR	47kΩ 1/16W J	
R721	NRSA63J-471X	MG RESISTOR	470Ω 1/16W J	
R723	NRSA63J-471X	MG RESISTOR	470Ω 1/16W J	
R724	NRSA63J-471X	MG RESISTOR	470Ω 1/16W J	
R725	NRSA63J-471X	MG RESISTOR	470Ω 1/16W J	
R727	NRSA63J-471X	MG RESISTOR	470Ω 1/16W J	
R728	NRSA63J-471X	MG RESISTOR	470Ω 1/16W J	
R731	NRSA63J-102X	MG RESISTOR	1kΩ 1/16W J	
R732	NRSA63J-331X	MG RESISTOR	330Ω 1/16W J	
R741	NRSA63J-0R0X	MG RESISTOR	0Ω 1/16W J	
R742	NRSA63J-5R1X	MG RESISTOR	5.1Ω 1/16W J	
R811	NRS181J-330X	MG RESISTOR	33Ω 1/8W J	
R812	NRS181J-330X	MG RESISTOR	33Ω 1/8W J	
R813	NRSA63J-153X	MG RESISTOR	15kΩ 1/16W J	
R814	NRSA63J-153X	MG RESISTOR	15kΩ 1/16W J	
R819	NRSA63J-0R0X	MG RESISTOR	0Ω 1/16W J	
R859	NRSA63J-102X	MG RESISTOR	1kΩ 1/16W J	
R860	NRSA63J-102X	MG RESISTOR	1kΩ 1/16W J	
R861	NRSA63J-473X	MG RESISTOR	47kΩ 1/16W J	
CN101	QGF0523F3-24W	CONNECTOR	FFC/FPC (1-24)	
CN201	QGF1016F8-08W	CONNECTOR	FFC/FPC (1-8)	
CN451	QGF1016F8-15W	CONNECTOR	FFC/FPC (1-15)	
CN452	QGA2001F6-02X	CONNECTOR	W-B (1-2)	
CN453	QGA2001F6-03X	CONNECTOR	W-B (1-3)	
CN701	QGF1016F8-28W	CONNECTOR	FFC/FPC (1-28)	
CN702	QGF1016F8-10W	CONNECTOR	FFC/FPC (1-10)	
CN703	QGF1016F8-08W	CONNECTOR	FFC/FPC (1-8)	
CN801	QGF1016F8-05W	CONNECTOR	FFC/FPC (1-5)	
CN811	QGA2001F6-05X	CONNECTOR	W-B (1-5)	
K101	NQR0502-001X	FERRITE BEADS		
K351	NQR0502-001X	FERRITE BEADS		
K352	NQR0502-001X	FERRITE BEADS		
K353	NQR0502-001X	FERRITE BEADS		

△ Symbol No.	Part No.	Part Name	Description	Local
K354	NQR0022-002X	FERRITE BEADS		
K454	NRSA63J-0R0X	MG RESISTOR	0Ω 1/16W J	
K455	NRSA63J-0R0X	MG RESISTOR	0Ω 1/16W J	
K456	NRSA63J-0R0X	MG RESISTOR	0Ω 1/16W J	
K501	NQR0502-001X	FERRITE BEADS		
K720	NQR0022-002X	FERRITE BEADS		
K732	NRSA63J-0R0X	MG RESISTOR	0Ω 1/16W J	
K733	NRSA63J-0R0X	MG RESISTOR	0Ω 1/16W J	
K734	NRSA63J-0R0X	MG RESISTOR	0Ω 1/16W J	
K735	NRSA63J-0R0X	MG RESISTOR	0Ω 1/16W J	
K736	NRSA63J-0R0X	MG RESISTOR	0Ω 1/16W J	
K737	NRSA63J-0R0X	MG RESISTOR	0Ω 1/16W J	
K738	NQR0022-005X	FERRITE BEADS		
K741	NRSA63J-0R0X	MG RESISTOR	0Ω 1/16W J	
K744	NRSA63J-0R0X	MG RESISTOR	0Ω 1/16W J	
K748	NRSA63J-0R0X	MG RESISTOR	0Ω 1/16W J	
K749	NRSA63J-0R0X	MG RESISTOR	0Ω 1/16W J	
K750	NQR0022-002X	FERRITE BEADS		
K752	NQR0022-002X	FERRITE BEADS		
K754	NQR0022-002X	FERRITE BEADS		
K756	NQR0022-002X	FERRITE BEADS		
K758	NQR0022-002X	FERRITE BEADS		
K811	NRSA63J-0R0X	MG RESISTOR	0Ω 1/16W J	
K812	NRSA63J-0R0X	MG RESISTOR	0Ω 1/16W J	
TH301	NAD0025-103X	N THERMISTOR	10kΩ	
X301	NAX0741-001X	CRYSTAL	27.000MHz	
X302	NAX0376-002X	CRYSTAL		
X451	NAX0248-001X	C OSCILLATOR	8.000MHz	

### DVD loading board(Only DX-J35)

Block No. [0][6]

△ Symbol No.	Part No.	Part Name	Description	Local
IC1	LB1641	IC		
IC2	LB1641	IC		
D1	MTZJ6.2A-T2	Z DIODE		
C1	QKFC1AM-107Z	E CAPACITOR	100uF 10V M	
C2	QCFB1HZ-104Y	C CAPACITOR	0.1uF 50V Z	
C3	QFLC1HJ-103Z	M CAPACITOR	0.01uF 50V J	
C5	QFLC1HJ-103Z	M CAPACITOR	0.01uF 50V J	
C6	QCFB1HZ-104Y	C CAPACITOR	0.1uF 50V Z	
C7	QCFB1HZ-104Y	C CAPACITOR	0.1uF 50V Z	
CN1	QGF1036F1-15	CONNECTOR	FFC/FPC (1-15)	
CN2	QGB2024K1-07S	CONNECTOR	B-B (1-7)	
CN3	QGB2024J1-07S	CONNECTOR	B-B (1-7)	
SW1	QSW0844-001	PUSH SWITCH		
SW2	QSW0844-001	PUSH SWITCH		
SW3	QSW0844-001	PUSH SWITCH		
SW4	QSW0844-001	PUSH SWITCH		
SW5	QSW0844-001	PUSH SWITCH		
SW6	QSW0854-002	PUSH SW		
SW8	QSW0923-001	DETECT SWITCH		

### DVD servo board(Except DX-J35)

Block No. [0][7]

△ Symbol No.	Part No.	Part Name	Description	Local
IC201	LA6502-X	IC		
IC301	MN2DS0018MA	IC		

△ Symbol No.	Part No.	Part Name	Description	Local	△ Symbol No.	Part No.	Part Name	Description	Local
IC302	MM1701CH-X	IC			C335	NCB31CK-104X	C CAPACITOR	0.1uF 16V K	
IC303	XC2164A51FM-X	IC			C337	NCB31CK-183X	C CAPACITOR	0.018uF 16V K	
IC305	MM1563DF-X	IC			C338	NCB31HK-562X	C CAPACITOR	5600pF 50V K	
IC451	MN101C61GNW	IC			C339	NBE20JM-106X	TA E CAPACITOR	10uF 6.3V M	
IC452	BR93L56RF-W-X	IC			C340	NCB30JK-105X	C CAPACITOR	1uF 6.3V K	
IC453	S-80830CNNB-G-W	IC			C341	NCB30JK-105X	C CAPACITOR	1uF 6.3V K	
IC505	K4S641632K-UC75	IC			C345	NCB31CK-104X	C CAPACITOR	0.1uF 16V K	
IC505	or K4S641632H-UC75	IC			C347	NCB31CK-104X	C CAPACITOR	0.1uF 16V K	
IC509	-----	IC(MICRO C ROM)			C348	NCB31CK-104X	C CAPACITOR	0.1uF 16V K	
IC510	BR24L16F-W-X	IC(DIGITAL)			C349	NCB31CK-104X	C CAPACITOR	0.1uF 16V K	
IC701	AK4387ET-X	IC			C350	NCB31HK-103X	C CAPACITOR	0.01uF 50V K	
IC705	MM1615AN-X	IC			C351	NCB31HK-103X	C CAPACITOR	0.01uF 50V K	
IC801	MM1565AF-X	IC			C352	NCB31CK-153X	C CAPACITOR	0.015uF 16V K	
					C353	NCB31HK-561X	C CAPACITOR	560pF 50V K	
Q101	KTA1001/Y/-X	TRANSISTOR			C354	NCB31HK-561X	C CAPACITOR	560pF 50V K	
Q101	or 2SB1424/R/-W	TRANSISTOR			C356	NCB30JK-105X	C CAPACITOR	1uF 6.3V K	
Q102	2SC4617/R/-X	TRANSISTOR			C359	NCB30JK-105X	C CAPACITOR	1uF 6.3V K	
Q103	KTA1001/Y/-X	TRANSISTOR			C370	NCB31CK-104X	C CAPACITOR	0.1uF 16V K	
Q103	or 2SB1424/R/-W	TRANSISTOR			C371	NCF31AZ-105X	C CAPACITOR	1uF 10V Z	
Q104	2SC4617/R/-X	TRANSISTOR			C372	NCB31CK-104X	C CAPACITOR	0.1uF 16V K	
Q801	KRA104S-X	DIGI TRANSISTOR			C373	NCB31CK-104X	C CAPACITOR	0.1uF 16V K	
Q801	or UN2113-X	TRANSISTOR			C374	NCB31CK-104X	C CAPACITOR	0.1uF 16V K	
					C375	NCB31CK-104X	C CAPACITOR	0.1uF 16V K	
C101	NCB31CK-104X	C CAPACITOR	0.1uF 16V K		C378	NCB31CK-104X	C CAPACITOR	0.1uF 16V K	
C102	NCB31CK-104X	C CAPACITOR	0.1uF 16V K		C379	NCB31CK-104X	C CAPACITOR	0.1uF 16V K	
C103	NCB31CK-104X	C CAPACITOR	0.1uF 16V K		C380	NCB21CK-105X	C CAPACITOR	1uF 16V K	
C104	NCB31CK-104X	C CAPACITOR	0.1uF 16V K		C381	NCB21AK-225X	C CAPACITOR	2.2uF 10V K	
C105	NEAF0JM-476X	E CAPACITOR	47uF 6.3V M		C382	NCB31HK-471X	C CAPACITOR	470pF 50V K	
C106	NBE20JM-226X	TA E CAPACITOR	22uF 6.3V M		C383	NCB31CK-104X	C CAPACITOR	0.1uF 16V K	
C107	NCB31CK-104X	C CAPACITOR	0.1uF 16V K		C392	NCB31CK-104X	C CAPACITOR	0.1uF 16V K	
C108	NBE20JM-226X	TA E CAPACITOR	22uF 6.3V M		C393	NCB31HK-103X	C CAPACITOR	0.01uF 50V K	
C201	NDC31HJ-221X	C CAPACITOR	220pF 50V J		C451	NCB31CK-104X	C CAPACITOR	0.1uF 16V K	
C202	NDC31HJ-221X	C CAPACITOR	220pF 50V J		C452	NCB31CK-104X	C CAPACITOR	0.1uF 16V K	
C203	NCB31HK-103X	C CAPACITOR	0.01uF 50V K		C453	NCB31CK-104X	C CAPACITOR	0.1uF 16V K	
C204	NCB31CK-104X	C CAPACITOR	0.1uF 16V K		C454	NCB31HK-103X	C CAPACITOR	0.01uF 50V K	
C205	NCB31HK-271X	C CAPACITOR	270pF 50V K		C455	NCB31HK-103X	C CAPACITOR	0.01uF 50V K	
C206	NDC31HJ-151X	C CAPACITOR	150pF 50V J		C551	NCB31CK-104X	C CAPACITOR	0.1uF 16V K	
C210	NCF31AZ-105X	C CAPACITOR	1uF 10V Z		C554	NCB31CK-104X	C CAPACITOR	0.1uF 16V K	
C211	NCB31HK-223X	C CAPACITOR	0.022uF 50V K		C555	NCB31CK-104X	C CAPACITOR	0.1uF 16V K	
C217	NCB31CK-104X	C CAPACITOR	0.1uF 16V K		C557	NCB31HK-102X	C CAPACITOR	1000pF 50V K	
C251	NCB31AK-474X	C CAPACITOR	0.47uF 10V K		C558	NBE20JM-226X	TA E CAPACITOR	22uF 6.3V M	
C256	NCB31CK-104X	C CAPACITOR	0.1uF 16V K		C559	NCB31CK-104X	C CAPACITOR	0.1uF 16V K	
C257	NCB31HK-822X	C CAPACITOR	8200pF 50V K		C560	NCB31CK-104X	C CAPACITOR	0.1uF 16V K	
C258	NCB31CK-153X	C CAPACITOR	0.015uF 16V K		C562	NCF31AZ-105X	C CAPACITOR	1uF 10V Z	
C259	NCB31CK-153X	C CAPACITOR	0.015uF 16V K		C563	NCB31CK-104X	C CAPACITOR	0.1uF 16V K	
C260	NCB31HK-223X	C CAPACITOR	0.022uF 50V K		C564	NCB31CK-104X	C CAPACITOR	0.1uF 16V K	
C261	NCB31HK-223X	C CAPACITOR	0.022uF 50V K		C701	NCB31CK-104X	C CAPACITOR	0.1uF 16V K	
C262	NCB31HK-223X	C CAPACITOR	0.022uF 50V K		C704	NEAF0JM-476X	E CAPACITOR	47uF 6.3V M	
C263	NEAF1CM-107X	E CAPACITOR	100uF 16V M		C706	NEAF1CM-106X	E CAPACITOR	10uF 16V M	
C301	NEAF0JM-227X	E CAPACITOR	220uF 6.3V M		C707	NCB31CK-104X	C CAPACITOR	0.1uF 16V K	
C302	NEAF0GM-476X	E CAPACITOR	47uF 4V M		C711	NCB21CK-105X	C CAPACITOR	1uF 16V K	
C303	NEAF0GM-476X	E CAPACITOR	47uF 4V M		C712	NCB31HK-103X	C CAPACITOR	0.01uF 50V K	
C304	NCB30JK-105X	C CAPACITOR	1uF 6.3V K		C713	NCB21CK-105X	C CAPACITOR	1uF 16V K	
C305	NCB31CK-104X	C CAPACITOR	0.1uF 16V K		C740	NCB31CK-104X	C CAPACITOR	0.1uF 16V K	
C306	NCB31CK-104X	C CAPACITOR	0.1uF 16V K		C801	NCB21CK-105X	C CAPACITOR	1uF 16V K	
C307	NCB31CK-104X	C CAPACITOR	0.1uF 16V K		C802	NCB21AK-225X	C CAPACITOR	2.2uF 10V K	
C309	NCB31CK-104X	C CAPACITOR	0.1uF 16V K		C803	NEAF0JM-227X	E CAPACITOR	220uF 6.3V M	
C310	NCB31CK-104X	C CAPACITOR	0.1uF 16V K		C804	NCB31HK-471X	C CAPACITOR	470pF 50V K	
C312	NCB31CK-104X	C CAPACITOR	0.1uF 16V K						
C313	NCB31CK-104X	C CAPACITOR	0.1uF 16V K		R101	NRSA63J-101X	MG RESISTOR	100Ω 1/16W J	
C314	NCB31CK-104X	C CAPACITOR	0.1uF 16V K		R102	NRSA63J-101X	MG RESISTOR	100Ω 1/16W J	
C315	NCB31CK-104X	C CAPACITOR	0.1uF 16V K		R103	NRSA63J-562X	MG RESISTOR	5.6kΩ 1/16W J	
C316	NCB31CK-104X	C CAPACITOR	0.1uF 16V K		R104	NRSA63J-432X	MG RESISTOR	4.3kΩ 1/16W J	
C318	NCB31CK-104X	C CAPACITOR	0.1uF 16V K		R105	NRS181J-180X	MG RESISTOR	18Ω 1/8W J	
C319	NCB31CK-104X	C CAPACITOR	0.1uF 16V K		R106	NRSA63J-2R2X	MG RESISTOR	2.2Ω 1/16W J	
C320	NCB31CK-104X	C CAPACITOR	0.1uF 16V K		R107	NRSA63J-102X	MG RESISTOR	1kΩ 1/16W J	
C321	NCB31CK-104X	C CAPACITOR	0.1uF 16V K		R108	NRSA63J-471X	MG RESISTOR	470Ω 1/16W J	
C322	NCB31CK-104X	C CAPACITOR	0.1uF 16V K		R109	NRSA63J-331X	MG RESISTOR	330Ω 1/16W J	
C323	NCB31CK-104X	C CAPACITOR	0.1uF 16V K		R111	NRSA63J-562X	MG RESISTOR	5.6kΩ 1/16W J	
C324	NCB30JK-105X	C CAPACITOR	1uF 6.3V K		R112	NRSA63J-432X	MG RESISTOR	4.3kΩ 1/16W J	
C325	NDC31HJ-120X	C CAPACITOR	12pF 50V J		R113	NRS181J-180X	MG RESISTOR	18Ω 1/8W J	
C326	NDC31HJ-100X	C CAPACITOR	10pF 50V J		R114	NRSA63J-2R2X	MG RESISTOR	2.2Ω 1/16W J	
C328	NCB31HK-103X	C CAPACITOR	0.01uF 50V K		R115	NRSA63J-102X	MG RESISTOR	1kΩ 1/16W J	
C330	NCB31CK-104X	C CAPACITOR	0.1uF 16V K		R116	NRSA63J-471X	MG RESISTOR	470Ω 1/16W J	
C331	NCB31CK-333X	C CAPACITOR	0.033uF 16V K		R117	NRSA63J-331X	MG RESISTOR	330Ω 1/16W J	
C332	NCB31CK-104X	C CAPACITOR	0.1uF 16V K		R125	NRSA63J-1R0X	MG RESISTOR	1Ω 1/16W J	
C333	NCB31CK-104X	C CAPACITOR	0.1uF 16V K		R127	NRSA63J-432X	MG RESISTOR	4.3kΩ 1/16W J	
C334	NCB31CK-104X	C CAPACITOR	0.1uF 16V K		R128	NRSA63J-562X	MG RESISTOR	5.6kΩ 1/16W J	

△ Symbol No.	Part No.	Part Name	Description	Local	△ Symbol No.	Part No.	Part Name	Description	Local
R201	NRSA63J-471X	MG RESISTOR	470Ω 1/16W J		R718	NRSA63J-473X	MG RESISTOR	47kΩ 1/16W J	
R202	NRSA63J-102X	MG RESISTOR	1kΩ 1/16W J		R721	NRSA63J-471X	MG RESISTOR	470Ω 1/16W J	
R204	NRSA63J-273X	MG RESISTOR	27kΩ 1/16W J		R723	NRSA63J-471X	MG RESISTOR	470Ω 1/16W J	
R205	NRSA63J-273X	MG RESISTOR	27kΩ 1/16W J		R731	NRSA63J-102X	MG RESISTOR	1kΩ 1/16W J	
R206	NRSA63J-303X	MG RESISTOR	30kΩ 1/16W J		R732	NRSA63J-331X	MG RESISTOR	330Ω 1/16W J	
R207	NRSA63J-473X	MG RESISTOR	47kΩ 1/16W J		R811	NRS181J-330X	MG RESISTOR	33Ω 1/8W J	
R213	NRSA63J-103X	MG RESISTOR	10kΩ 1/16W J		R812	NRS181J-330X	MG RESISTOR	33Ω 1/8W J	
R214	NRSA63J-103X	MG RESISTOR	10kΩ 1/16W J		R813	NRSA63J-153X	MG RESISTOR	15kΩ 1/16W J	
R219	NRSA63J-183X	MG RESISTOR	18kΩ 1/16W J		R814	NRSA63J-153X	MG RESISTOR	15kΩ 1/16W J	
R220	NRSA63J-243X	MG RESISTOR	24kΩ 1/16W J		R819	NRSA63J-0R0X	MG RESISTOR	0Ω 1/16W J	
R221	NRSA63J-682X	MG RESISTOR	6.8kΩ 1/16W J		R859	NRSA63J-102X	MG RESISTOR	1kΩ 1/16W J	
R251	NRS125J-R39X	MG RESISTOR	0.39Ω 1/2W J		R860	NRSA63J-102X	MG RESISTOR	1kΩ 1/16W J	
R259	NRSA63J-103X	MG RESISTOR	10kΩ 1/16W J		R861	NRSA63J-473X	MG RESISTOR	47kΩ 1/16W J	
R303	NRSA63J-220X	MG RESISTOR	22Ω 1/16W J		CN101	QGF0523F3-24W	CONNECTOR	FFC/FPC (1-24)	
R304	NRSA63J-432X	MG RESISTOR	4.3kΩ 1/16W J		CN201	QGF1016F8-08W	CONNECTOR	FFC/FPC (1-8)	
R306	NRSA63J-102X	MG RESISTOR	1kΩ 1/16W J		CN451	QGF1016F8-15W	CONNECTOR	FFC/FPC (1-15)	
R307	NRSA63J-102X	MG RESISTOR	1kΩ 1/16W J		CN452	QGA2001F6-02X	CONNECTOR	W-B (1-2)	
R309	NRSA63J-104X	MG RESISTOR	100kΩ 1/16W J		CN453	QGA2001F6-03X	CONNECTOR	W-B (1-3)	
R310	NRSA63J-101X	MG RESISTOR	100Ω 1/16W J		CN701	QGF1016F8-28W	CONNECTOR	FFC/FPC (1-28)	
R311	NRSA63J-331X	MG RESISTOR	330Ω 1/16W J		CN702	QGF1016F8-10W	CONNECTOR	FFC/FPC (1-10)	
R314	NRSA63J-0R0X	MG RESISTOR	0Ω 1/16W J		CN801	QGF1016F8-05W	CONNECTOR	FFC/FPC (1-5)	
R316	NRSA63J-102X	MG RESISTOR	1kΩ 1/16W J		CN811	QGA2001F6-05X	CONNECTOR	W-B (1-5)	
R318	NRSA63J-220X	MG RESISTOR	22Ω 1/16W J		K101	NQR0502-001X	FERRITE BEADS		
R323	NRSA63J-331X	MG RESISTOR	330Ω 1/16W J		K351	NQR0502-001X	FERRITE BEADS		
R324	NRSA63J-331X	MG RESISTOR	330Ω 1/16W J		K352	NQR0502-001X	FERRITE BEADS		
R325	NRSA63J-331X	MG RESISTOR	330Ω 1/16W J		K353	NQR0502-001X	FERRITE BEADS		
R326	NRSA63J-103X	MG RESISTOR	10kΩ 1/16W J		K354	NQR022-002X	FERRITE BEADS		
R329	NRSA63J-102X	MG RESISTOR	1kΩ 1/16W J		K454	NRSA63J-0R0X	MG RESISTOR	0Ω 1/16W J	
R333	NRSA63J-331X	MG RESISTOR	330Ω 1/16W J		K455	NRSA63J-0R0X	MG RESISTOR	0Ω 1/16W J	
R334	NRSA63J-0R0X	MG RESISTOR	0Ω 1/16W J		K456	NRSA63J-0R0X	MG RESISTOR	0Ω 1/16W J	
R335	NRSA63J-0R0X	MG RESISTOR	0Ω 1/16W J		K501	NQR0502-001X	FERRITE BEADS		
R336	NRSA63J-0R0X	MG RESISTOR	0Ω 1/16W J		K720	NQR022-002X	FERRITE BEADS		
R337	NRSA63J-0R0X	MG RESISTOR	0Ω 1/16W J		K732	NRSA63J-0R0X	MG RESISTOR	0Ω 1/16W J	
R338	NRSA63J-0R0X	MG RESISTOR	0Ω 1/16W J		K733	NRSA63J-0R0X	MG RESISTOR	0Ω 1/16W J	
R339	NRSA63J-0R0X	MG RESISTOR	0Ω 1/16W J		K734	NRSA63J-0R0X	MG RESISTOR	0Ω 1/16W J	
R340	NRSA63D-303X	MG RESISTOR	30kΩ 1/16W D		K735	NRSA63J-0R0X	MG RESISTOR	0Ω 1/16W J	
R341	NRSA63D-512X	MG RESISTOR	5.1kΩ 1/16W D		K736	NRSA63J-0R0X	MG RESISTOR	0Ω 1/16W J	
R342	NRSA63D-222X	MG RESISTOR	2.2kΩ 1/16W D		K737	NRSA63J-0R0X	MG RESISTOR	0Ω 1/16W J	
R345	NRSA63J-221X	MG RESISTOR	220Ω 1/16W J		K738	NQR022-005X	FERRITE BEADS		
R346	NRSA63J-223X	MG RESISTOR	22kΩ 1/16W J		K744	NRSA63J-0R0X	MG RESISTOR	0Ω 1/16W J	
R347	NRSA63J-203X	MG RESISTOR	20kΩ 1/16W J		K748	NRSA63J-0R0X	MG RESISTOR	0Ω 1/16W J	
R348	NRSA63J-0R0X	MG RESISTOR	0Ω 1/16W J		K749	NRSA63J-0R0X	MG RESISTOR	0Ω 1/16W J	
R351	NRSA63J-331X	MG RESISTOR	330Ω 1/16W J		K750	NQR022-002X	FERRITE BEADS		
R352	NRSA63J-105X	MG RESISTOR	1MΩ 1/16W J		K752	NQR022-002X	FERRITE BEADS		
R353	NRSA63J-101X	MG RESISTOR	100Ω 1/16W J		K754	NQR022-002X	FERRITE BEADS		
R357	NRSA63J-221X	MG RESISTOR	220Ω 1/16W J		K756	NQR022-002X	FERRITE BEADS		
R358	NRSA63J-221X	MG RESISTOR	220Ω 1/16W J		K758	NQR022-002X	FERRITE BEADS		
R361	NRSA63J-103X	MG RESISTOR	10kΩ 1/16W J		K811	NRSA63J-0R0X	MG RESISTOR	0Ω 1/16W J	
R362	NRSA63J-470X	MG RESISTOR	47Ω 1/16W J		K812	NRSA63J-0R0X	MG RESISTOR	0Ω 1/16W J	
R367	NRSA63J-221X	MG RESISTOR	220Ω 1/16W J		TH301	NAD0025-103X	N THERMISTOR	10kΩ	
R371	NRSA63J-103X	MG RESISTOR	10kΩ 1/16W J		X301	NAX0741-001X	CRYSTAL	27.000MHz	
R372	NRSA63J-103X	MG RESISTOR	10kΩ 1/16W J		X302	NAX0376-002X	CRYSTAL		
R373	NRSA63J-103X	MG RESISTOR	10kΩ 1/16W J		X451	NAX0248-001X	C OSCILLATOR	8.000MHz	
R375	NRSA63J-471X	MG RESISTOR	470Ω 1/16W J						
R376	NRSA63J-102X	MG RESISTOR	1kΩ 1/16W J						
R383	NRSA63J-101X	MG RESISTOR	100Ω 1/16W J						
R384	NRSA63J-102X	MG RESISTOR	1kΩ 1/16W J						
R385	NRSA63J-102X	MG RESISTOR	1kΩ 1/16W J						
R392	NRSA63J-103X	MG RESISTOR	10kΩ 1/16W J						
R452	NRSA63J-222X	MG RESISTOR	2.2kΩ 1/16W J						
R453	NRSA63J-103X	MG RESISTOR	10kΩ 1/16W J						
R454	NRSA63J-103X	MG RESISTOR	10kΩ 1/16W J						
R455	NRSA63J-103X	MG RESISTOR	10kΩ 1/16W J						
R456	NRSA63J-103X	MG RESISTOR	10kΩ 1/16W J						
R457	NRSA63J-101X	MG RESISTOR	100Ω 1/16W J						
R458	NRSA63J-102X	MG RESISTOR	1kΩ 1/16W J						
R461	NRSA63J-101X	MG RESISTOR	100Ω 1/16W J						
R463	NRSA63J-101X	MG RESISTOR	100Ω 1/16W J						
R464	NRSA63J-101X	MG RESISTOR	100Ω 1/16W J						
R465	NRSA63J-102X	MG RESISTOR	1kΩ 1/16W J						
R531	NRSA63J-103X	MG RESISTOR	10kΩ 1/16W J						
R535	NRSA63J-473X	MG RESISTOR	47kΩ 1/16W J						
R541	NRSA63J-472X	MG RESISTOR	4.7kΩ 1/16W J						
R701	NRSA63J-2R2X	MG RESISTOR	2.2Ω 1/16W J						
R704	NRSA63J-0R0X	MG RESISTOR	0Ω 1/16W J						
R705	NRSA63J-0R0X	MG RESISTOR	0Ω 1/16W J						
R714	NRSA63J-101X	MG RESISTOR	100Ω 1/16W J						
R715	NRSA63J-101X	MG RESISTOR	100Ω 1/16W J						

### DVD loading board(Except DX-J35)

Block No. [0][8]

△ Symbol No.	Part No.	Part Name	Description	Local
IC1	LB1641	IC		
IC2	LB1641	IC		
D1	MTZJ6.2A-T2	Z DIODE		
C1	QKQC1AM-107Z	E CAPACITOR	100uF 10V M	
C2	QCBB1HK-104Y	C CAPACITOR	0.1uF 50V K	
C3	QFLC1HJ-103Z	M CAPACITOR	0.01uF 50V J	
C5	QFLC1HJ-103Z	M CAPACITOR	0.01uF 50V J	
C6	QCBB1HK-104Y	C CAPACITOR	0.1uF 50V K	
C7	QCBB1HK-104Y	C CAPACITOR	0.1uF 50V K	
CN1	QGF1036F1-15	CONNECTOR	FFC/FPC (1-15)	
CN2	QGB2024K1-07S	CONNECTOR	B-B (1-7)	

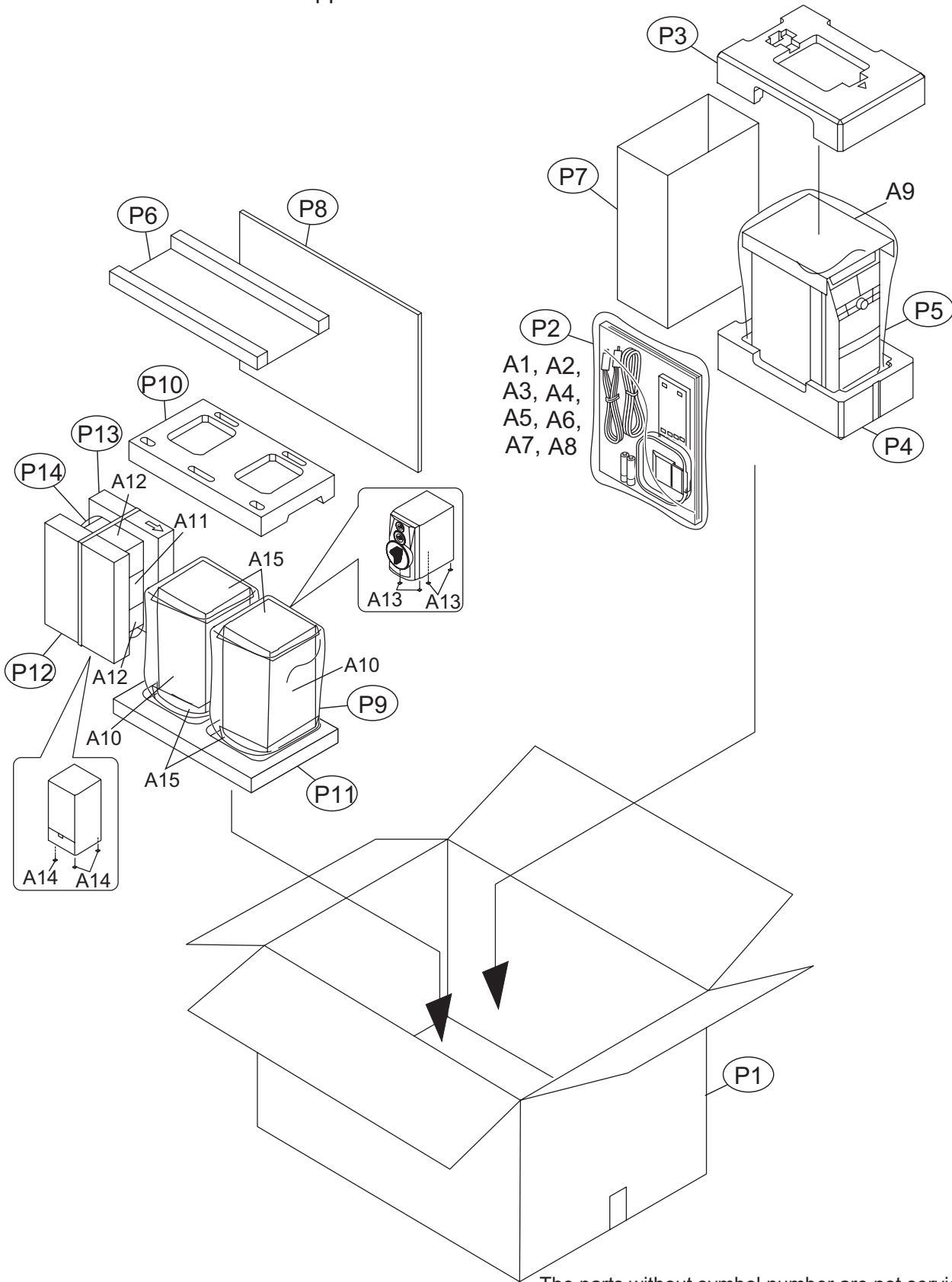
△ Symbol No.	Part No.	Part Name	Description	Local
CN3	QGB2024J1-07S	CONNECTOR	B-B (1-7)	
SW1	QSW0844-001	PUSH SWITCH		
SW2	QSW0844-001	PUSH SWITCH		
SW3	QSW0844-001	PUSH SWITCH		
SW4	QSW0844-001	PUSH SWITCH		
SW5	QSW0844-001	PUSH SWITCH		
SW6	QSW0854-002	PUSH SW		
SW8	QSW0923-001	DETECT SWITCH		

# Packing materials and accessories parts list

<DX-J35EE>

Block No. [M] [3] [M] [M]

No additional / supplemental order of WARRANTY CARDS are available



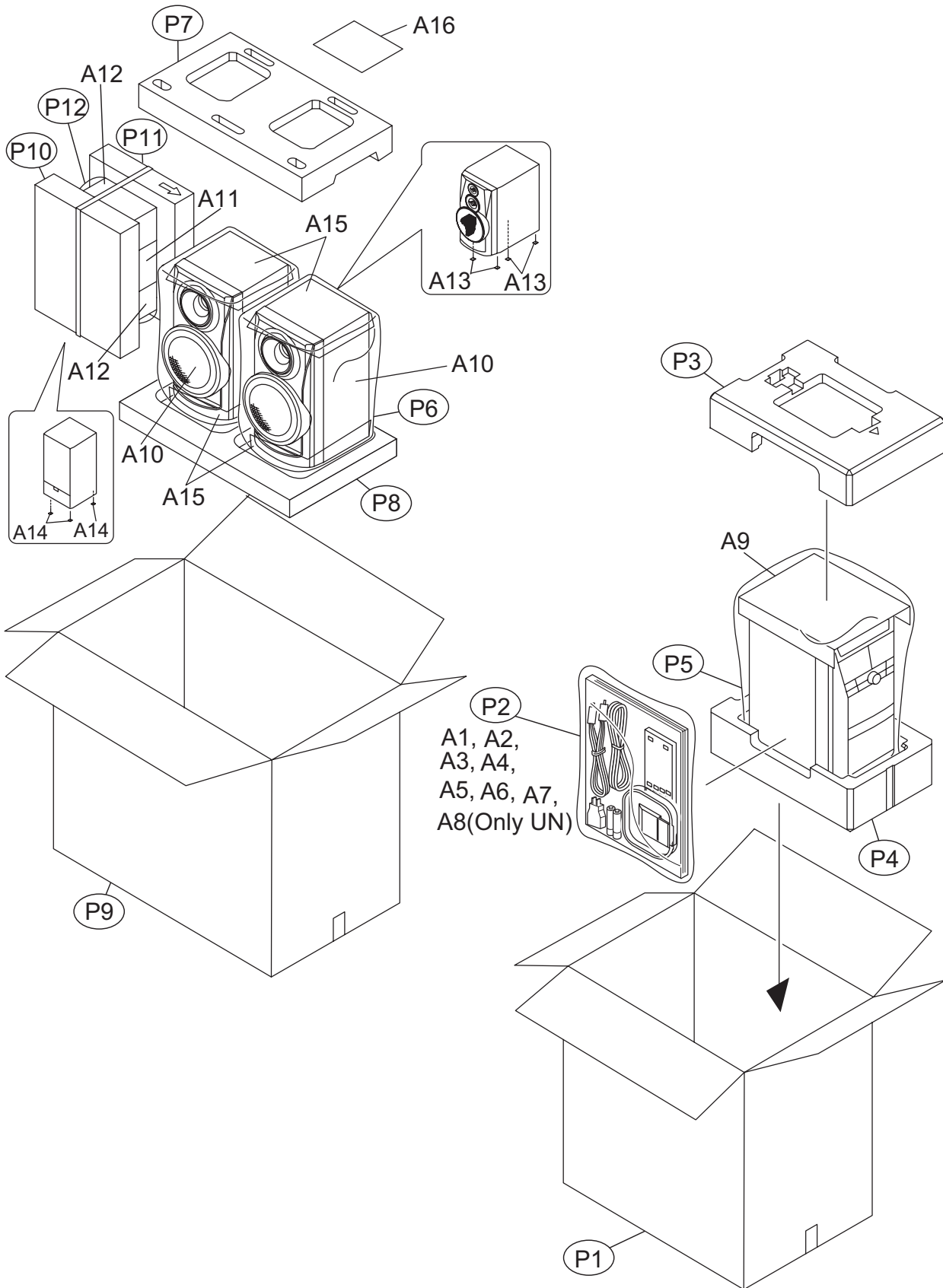
# Packing and Accessories(Only DX-J35EE)

Block No. [M][3][M][M]

△ Symbol No.	Part No.	Part Name	Description	Local
A 1	QAL0014-003	AM LOOP ANT		
A 2	QAM0944-001	PIN CABLE		
A 3	RM-SDXJ35U	REMOCON		
A 4	QAL0457-001	ANT.WIRE		
A 5	-----	BATTERY	1.5V(x2)	
A 6	GVT0208-004B	INST BOOK	RUS	
A 7	-----	WARRANTY CARD	BT-54032-1	
A 8	GV30898-001A	I.B. LABEL		
A 9	GV40168-012A	SHEET		
A10	SPDXJ35U-SPBOX	SPK WITH BOX-F	(x2)	
A11	ASL8CDK35-EB10	SPK WITH BOX-C		
A12	ASL8SDK35-EB10	SPK WITH BOX-S	(x2)	
A13	441-802104-00	LEG CUSHION	(x8)	
A14	DUF803001-0002	LEG CUSHION	(x9)	
A15	715-250035-00	MIRAMAT SHEET	(x4)	
P 1	GV31112-001A	MASTER CARTON		
P 2	QPC02503515PB	POLY BAG	25cm x 35cm	
P 3	GV10381-001A	CUSHION (TOP)		
P 4	GV10382-001A	CUSHION (BOTTOM)		
P 5	QPC06507030PB	POLY BAG	65cm x 70cm	
P 6	GV30897-005A	CARTON SPACER		
P 7	GV31118-001A	CARTON SPACER(A		
P 8	GV40256-006A	CORRUGATED SPAC		
P 9	700-120114-10	HDPE BAG	(x2)	
P10	720-DXJ10T-00	TOP CUSHION		
P11	720-DXJ10B-00	BOTTOM CUSHION		
P12	ITF830367-0001	TOP CUSHION		
P13	ITF830367-0002	BOTTOM CUSHION		
P14	IWA803101-0030	HDPE BAG	(x3)	

# Packing materials and accessories parts list <DX-J35UX,UG,UN>

Block No. [M] [4] [M] [M]



The parts without symbol number are not service.



# Packing and Accessories(DX-J35UX,UG,UN)

Block No. [M][4][M][M]

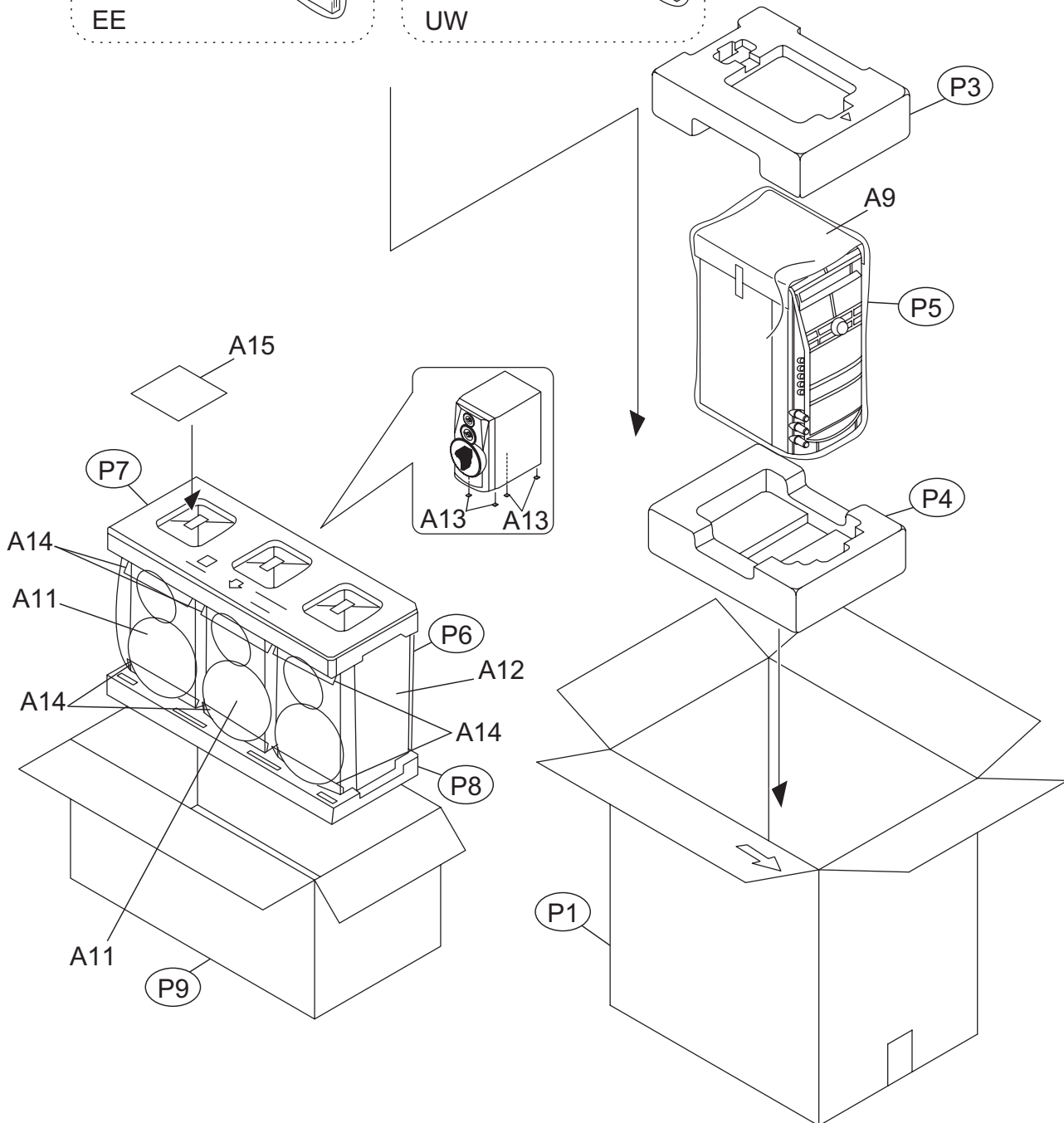
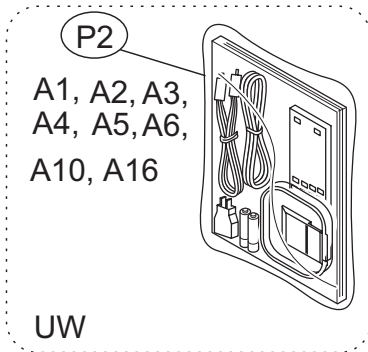
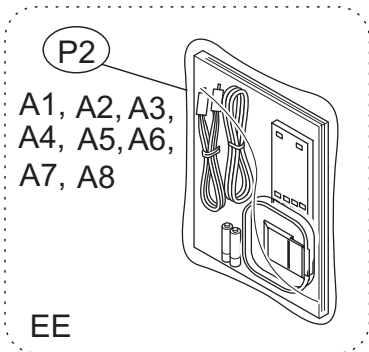
△	Symbol No.	Part No.	Part Name	Description	Local
	A 1	QAL0014-003	AM LOOP ANT		
	A 2	QAM0944-001	PIN CABLE		
	A 3	RM-SDXJ35U	REMOCON		
	A 4	QAL0457-001	ANT.WIRE		
	A 5	-----	BATTERY	1.5V(x2)	
	A 6	GVT0208-001A	INST BOOK	ENG	
	A 7	GVT0208-003A	INST BOOK	ARA PER	35UX,35UG
	A 7	GVT0208-002A	INST BOOK	CHI(PEKIN)	35UN
	A 8	QAM0112-002	CONVERSION PLUG		35UN
	A 9	GV40168-012A	SHEET		
	A10	SPDXJ35U-SPBOX	SPK WITH BOX-F	(x2)	
	A11	ASL8CDK35-EB10	SPK WITH BOX-C		
	A12	ASL8SDK35-EB10	SPK WITH BOX-S	(x2)	
	A13	441-802104-00	LEG CUSHION	(x8)	
	A14	DUF803001-0002	LEG CUSHION	(x9)	
	A15	715-250035-00	MIRAMAT SHEET	(x4)	
	A16	GVT0216-001A	USER MANUAL		
	P 1	GV31068-001A	CARTON ASSY.		35UX,35UG
	P 1	GV31068-002A	CARTON ASSY.		35UN
	P 2	QPC02503515PB	POLY BAG	25cm x 35cm	
	P 3	GV10381-001A	CUSHION (TOP)		
	P 4	GV10382-001A	CUSHION (BOTTOM)		
	P 5	QPC06507030PB	POLY BAG	65cm x 70cm	
	P 6	700-120114-10	HDPE BAG	(x2)	
	P 7	720-DXJ10T-00	TOP CUSHION		
	P 8	720-DXJ10B-00	BOTTOM CUSHION		
	P 9	730-DXJ351-10	PACKING CASE		35UX,35UG
	P 9	730-DXJ350-10	PACKING CASE		35UN
	P10	ITF830367-0001	TOP CUSHION		
	P11	ITF830367-0002	BOTTOM CUSHION		
	P12	IWA803101-0030	HDPE BAG	(x3)	

# Packing materials and accessories parts list

<DX-J20>

Block No. [M] [5] [M] [M]

No additional / supplemental order of WARRANTY CARDS are available



The parts without symbol number are not service.

# Packing and Accessories(Only DX-J20)

Block No. [M][5][M][M]

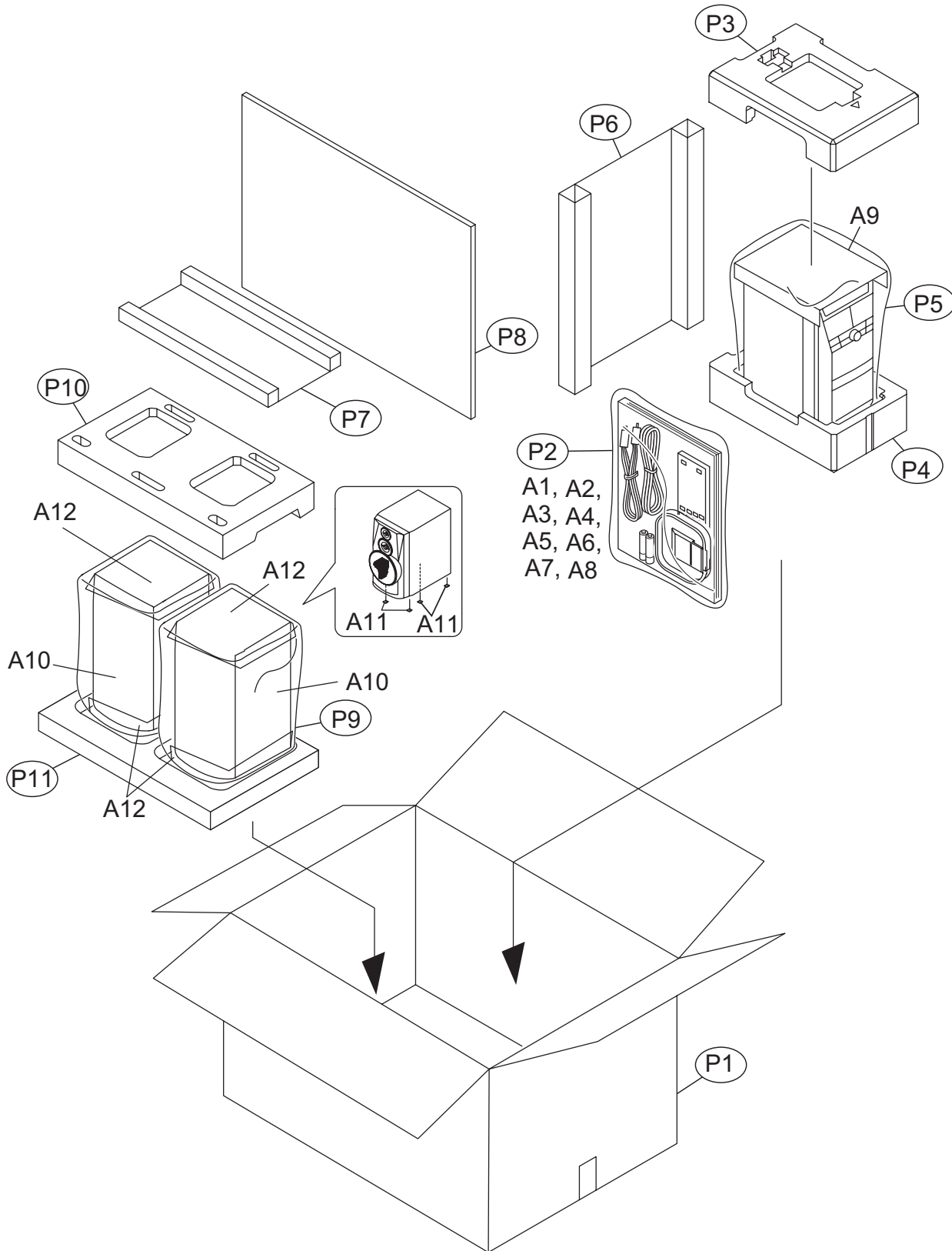
△ Symbol No.	Part No.	Part Name	Description	Local
A 1	QAL0014-003	AM LOOP ANT		
A 2	QAM0944-001	PIN CABLE		
A 3	RM-SDXJ20U	REMOCON		
A 4	QAL0457-001	ANT.WIRE		
A 5	-----	BATTERY	1.5V(x2)	
A 6	GVT0207-004A	INST BOOK	RUS	20EE
A 6	GVT0207-001B	INST BOOK	ENG	20UW
A 7	-----	WARRANTY CARD	BT-54032-1	20EE
A 8	GV30898-001A	I.B. LABEL		20EE
A 9	GV40168-012A	SHEET		
A10	QAM0112-002	CONVERSION PLUG		20UW
A11	SPDXJ20US-SPBOX	SPK WITH BOX-F	(x2)	
A12	SPDWJ20UG-SPBOX	SPK WITH BOX-WO		
A13	441-802104-00	LEG CUSHION	(x12)	
A14	715-250035-00	MIRAMAT SHEET	(x6)	
A15	GVT0214-003A	USER MANUAL		20EE
A15	GVT0214-002A	USER MANUAL		20UW
A16	GVT0207-003A	INST BOOK		20UW
P 1	GV31066-006A	CARTON ASSY.		20EE
P 1	GV31066-005A	CARTON ASSY.		20UW
P 2	QPC02503515PB	POLY BAG	25cm x 35cm	
P 3	GV10381-001A	CUSHION (TOP)		
P 4	GV10382-001A	CUSHION (BOTTOM)		
P 5	QPC06507030PB	POLY BAG	65cm x 70cm	
P 6	720-120114-10	HDPE BAG	(x3)	
P 7	720-DXJ20T-00	TOP CUSHION		
P 8	720-DXJ20B-00	BOTTOM CUSHION		
P 9	730-DXJ202-10	PACKING CASE		20EE
P 9	730-DXJ200-10	PACKING CASE		20UW

# Packing materials and accessories parts list

<DX-J10>

Block No. M 6 M M

No additional / supplemental order of WARRANTY CARDS are available



The parts without symbol number are not service.

## Packing and Accessories(Only DX-J10)

Block No. [M][6][M][M]

△	Symbol No.	Part No.	Part Name	Description	Local
	A 1	QAL0014-003	AM LOOP ANT		
	A 2	QAM0944-001	PIN CABLE		
	A 3	RM-SDXJ20U	REMOCON		
	A 4	QAL0457-001	ANT.WIRE		
	A 5	-----	BATTERY	1.5V(x2)	
	A 6	GVT0207-004A	INST BOOK	RUS	
	A 7	-----	WARRANTY CARD	BT-54032-1	
	A 8	GV30898-001A	I.B. LABEL		
	A 9	GV40168-012A	SHEET		
	A10	SPDXJ10U-SPBOX	SPK WITH BOX	(x2)	
	A11	441-802104-00	LEG CUSHION	(x8)	
	A12	715-250035-00	MIRAMAT SHEET	(x4)	
	P 1	GV31117-001A	MASTER CARTON		
	P 2	QPC02503515PB	POLY BAG	25cm x 35cm	
	P 3	GV10381-001A	CUSHION (TOP)		
	P 4	GV10382-001A	CUSHION (BOTTOM)		
	P 5	QPC06507030PB	POLY BAG	65cm x 70cm	
	P 6	GV30897-003A	CARTON SPACER		
	P 7	GV30897-004A	CARTON SPACER		
	P 8	GV40256-005A	CORRUGATED SPAC		
	P 9	700-120114-10	HDPE BAG	(x2)	
	P10	720-DXJ10T-00	TOP CUSHION		
	P11	720-DXJ10B-00	BOTTOM CUSHION		